

ENERGY STORM

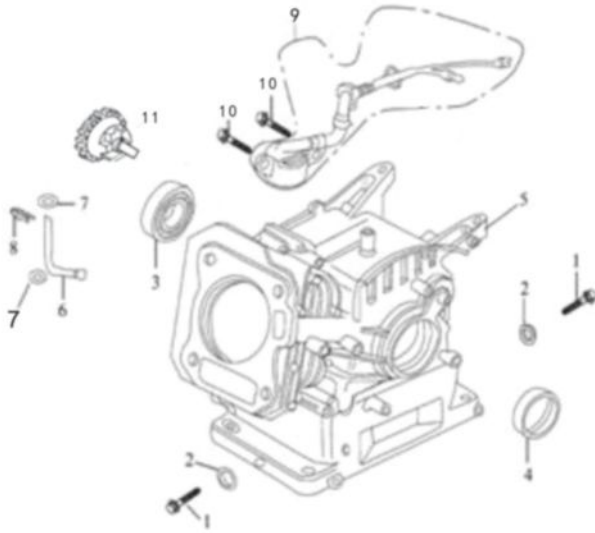
ES4000E PORTABLE GENERATOR



LIFAN POWER USA

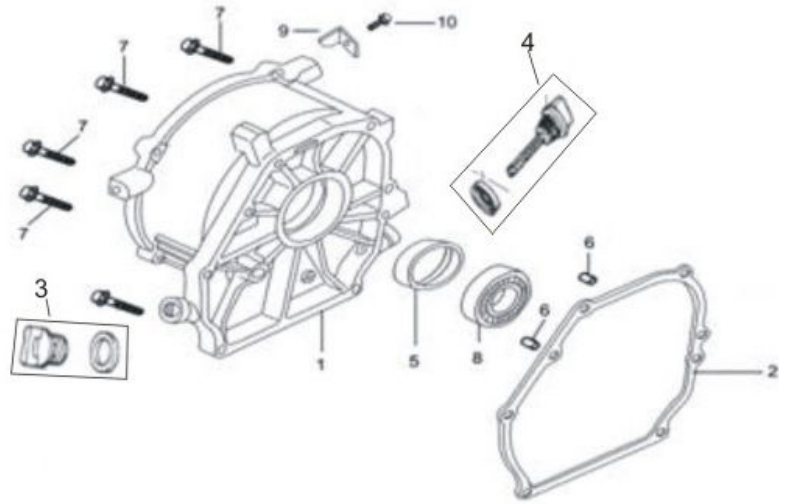
2205 Industrial Park Road
Van Buren, AR
72956

www.lifanpowerusa.com
(866) 471-7464



CRANKCASE ASSEMBLY

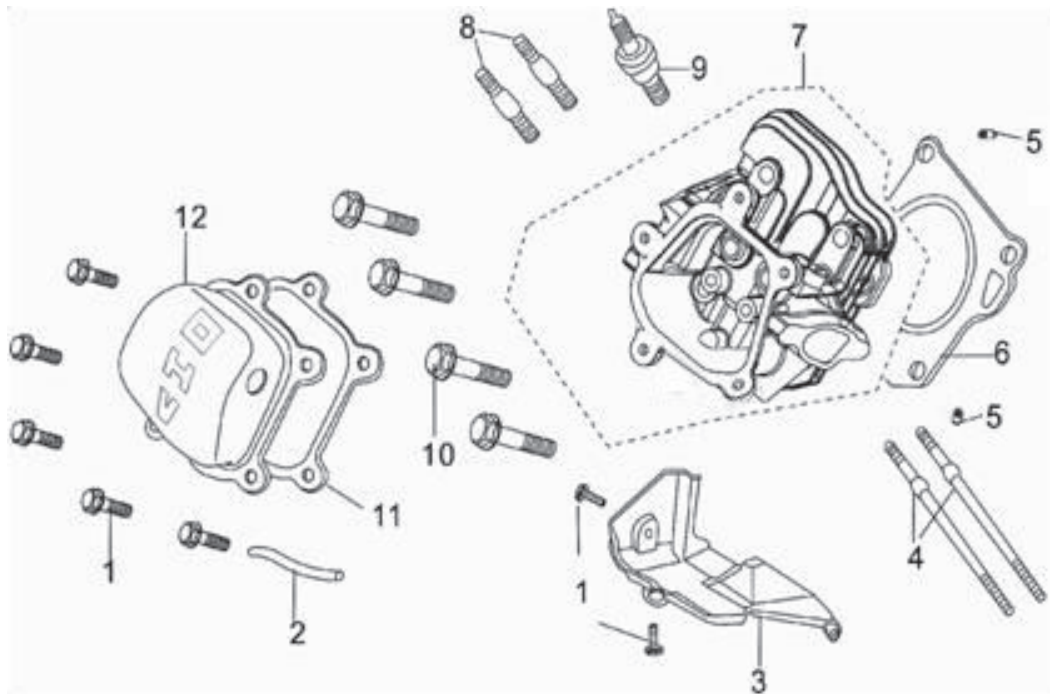
S/N	Part No.	Description	Qty
1	11115-A0710-0001	Drain plug M10X15	2
2	11116-A0710-0001	Washer	2
3	T910-0001	Bearing 6205	1
4	11120-A0710-0002	Oil seal, crankshaft	1
5	11110-A2310-0011	Crankcase	1
6	26111-A0710-0001	Regulating sway bar	1
7	26113-A0710-0001	Washer	2
8	26112-A0710-0001	Split pin	1
9	27400-A0710-0002	Oil sensor	1
10	T152-0004	Bolt M6×14	2
11	25100-A0710-0004	Driven gear assy, regulator	1



CRANKCASE COVER ASSEMBLY

S/N	Part No.	Description	Qty
1	11211-B9130-0001	Crankcase cover	1
2	11114-A0710-0001	Gasket, crankcase	1
3	15610-A0710-0001	Oil plug with Seal	1
4	15510-A0710-0001	Dipstick with seal	1
5	11120-A0710-0001	Oil seal , crankshaft	1
6	11113-A0710-0001	Set pinφ8×14	2
7	T151-0001	Bolt M8×32	6
8	T910-0001	Bearing 6205	1
9	11216-B9130-0001	Dust plate	1
10	T151-0002	Bolt M6×12	1

LIFAN
POWER
USA



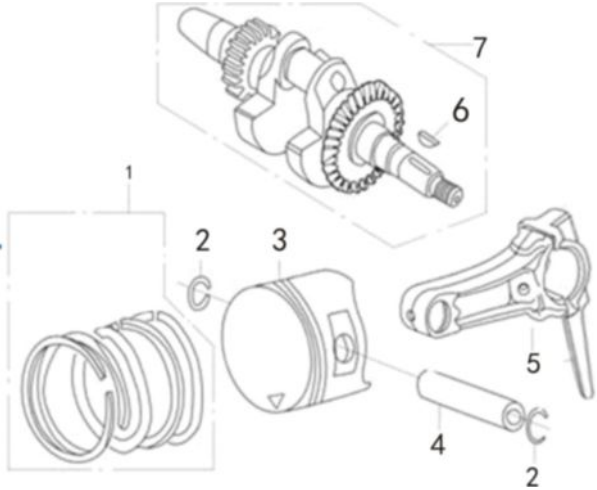
CYLINDER HEAD & CYLINDER HEAD COVER ASSEMBLY

S/N	Part No.	Description	Qty
1	T152-0019	Bolt M6×12	6
2	19143-A0710-0001	Air duck	1
3	19121-A0721-0001	Lead wind cover	1
4	17218-A0710-0001	Stud M6×96	2
5	12117-A0710-0001	Set pinφ10×16	2
6	12120-A2310-0001	Gasket, cylinder head	1

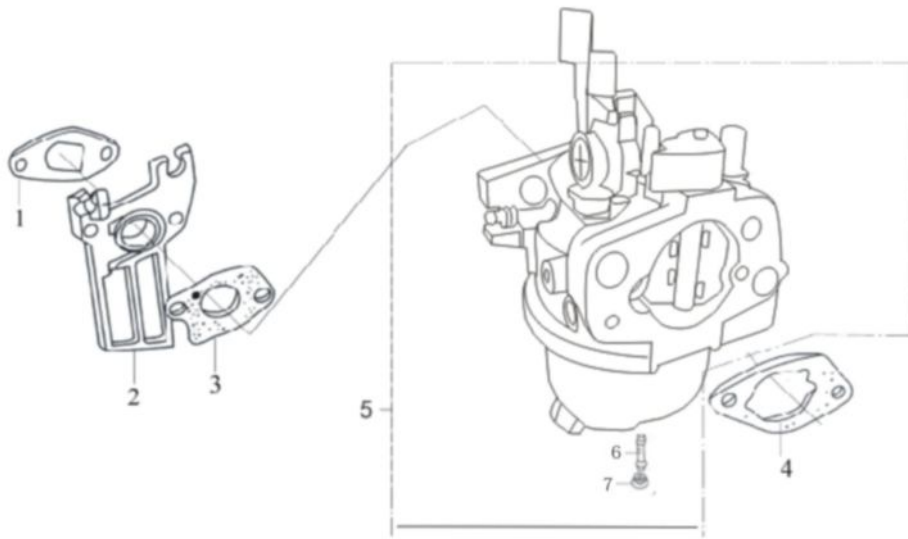
S/N	Part No.	Description	Qty
7	12100-A0721-0004	Cylinder head Assy	1
8	18214-A0710-0001	Stud M8×34	2
9	27100-A0710-0001	Spark plug F6TC	1
10	12118-A0710-0001	Bolt	4
11	12212-A0721-0001	Gasket, cylinder head cover	1
12	12200-A0721-0001	Cylinder head cover Assy	1

**LIFAN
POWER
USA**

CRANKSHAFT, PISTON & CONNECTING



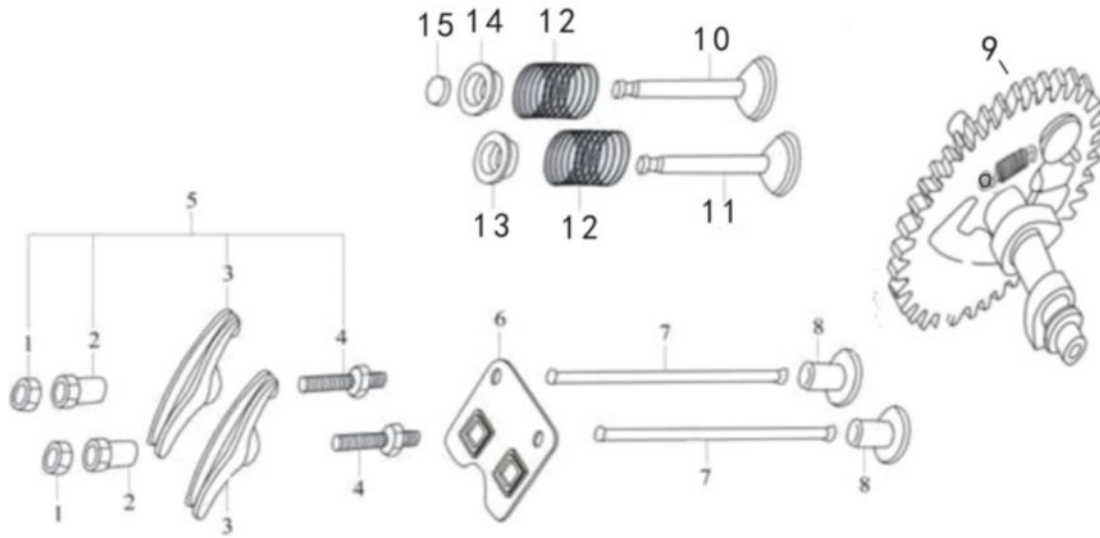
S/N	Part No.	Description	Qty
1	GB/T16674	Bolt M6×12	4
2	19143/152F-3	Air duck	1
3	17218/152F-3	Stud M5×90	2
4	12120/152F-3	Gasket, cylinder head	1
5	12100/152F-3	Cylinder head Assy	1
6	27100/152F	Spark plug 255	1
7	12118/152F-3	Bolt	4
8	12212/152F-3	Gasket, cylinder head cover	1
9	12200/152F-3	Cylinder head cover Assy	1
10	12117/168F	Set pin φ10×16	2



CARBURETOR ASSEMBLY

S/N	Part No.	Description	Qty
1	17219-A0710-0001	Inlet gasket	1
2	16120-A0710-0001	Connecting block	1
3	16113-A0710-0001	Carburetor gasket	1
4	17113-A0710-0001	Air cleaner gasket	1

S/N	Part No.	Description	Qty
5	16100-B9130-0001	Carburetor Assy	1
6	16244-A0720-0001	Main nozzle	1
7	16243-A0720-0001	Main jet	1

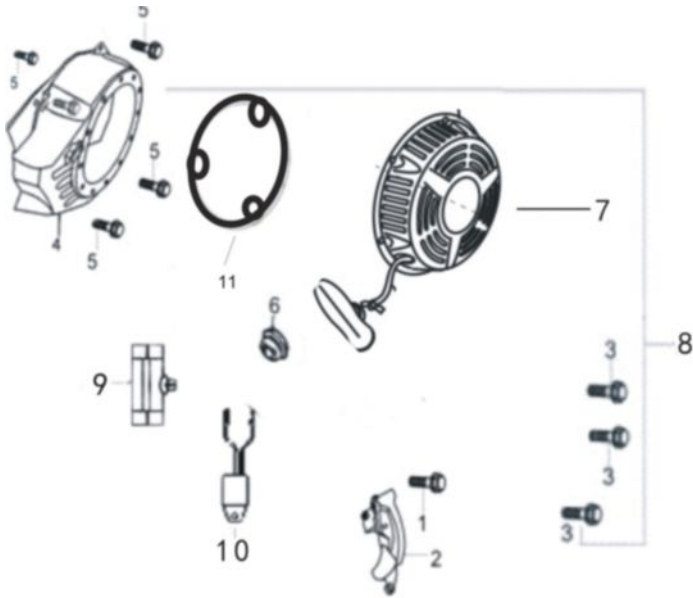


COMBINATION OF CAM SHAFT & VALVE ROCKER

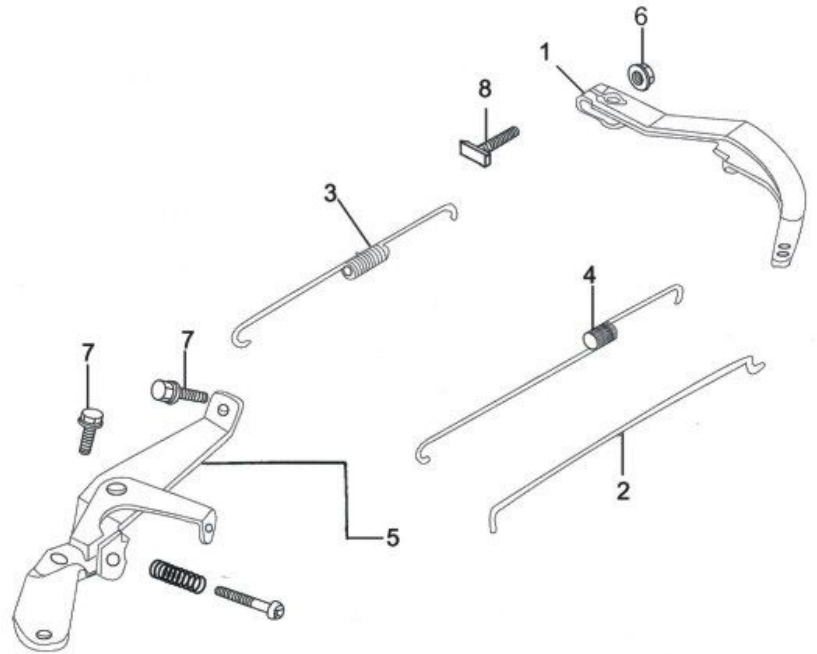
S/N	Part No.	Description	Qty
1	14314-A0710-0001	Lock nut	2
2	14312-A0710-0001	Sleeve	2
3	14311-A0710-0001	Valve rocker	2
4	14313-A0710-0001	Adjusting bolt for valve gap	2
5	14310-A0710-0001	Valve rocker assy	2
6	14220-A0710-0001	Pusher guide	1
7	14210-A0710-0001	Pusher	2
8	14315-A0720-0001	Tappet	2
9	14100-A0720-0005	Camshaft Assy	1

S/N	Part No.	Description	Qty
10	14412-A0710-0001	Exhaust valve	1
11	14411-A0710-0001	Intake valve	1
12	14414-A0710-0001	Valve spring	2
13	14413-A0710-0001	Spring seat, intake valve	1
14	14415-A0710-0001	Spring seat, exhaust valve	1
15	14416-A0710-0001	Cap	1

**LIFAN
POWER
USA**



RECOIL STARTER

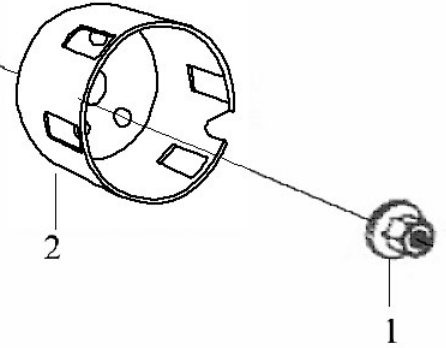
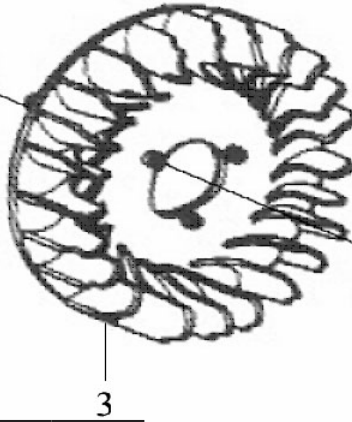
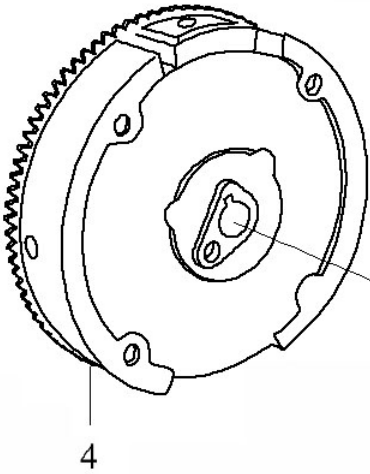


REGULATING CONTROL SYSTEM

S/N	Part No.	Description	Qty
1	T152-0033	Bolt M6×22	1
2	19300-A0710-0001	Crankcase side plate assy	1
3	T210-0005	Bolt M5×8	3
4	19211-A0714-0027	Fan hood assy	1
5	T152-0019	Bolt M6×12	4
6	19219-B9130-0001	Fan hood latex stop up	1
7	23200-A0710-0025	Recoil starter	1
8	23100-B9140-0033	Recoil starter assy	1
9	19313-A0710-0001	Plastic clip	1
10	27500-A0710-0001	Diode	1
11	23260-A0710-0001	Recoil spacer combination	1

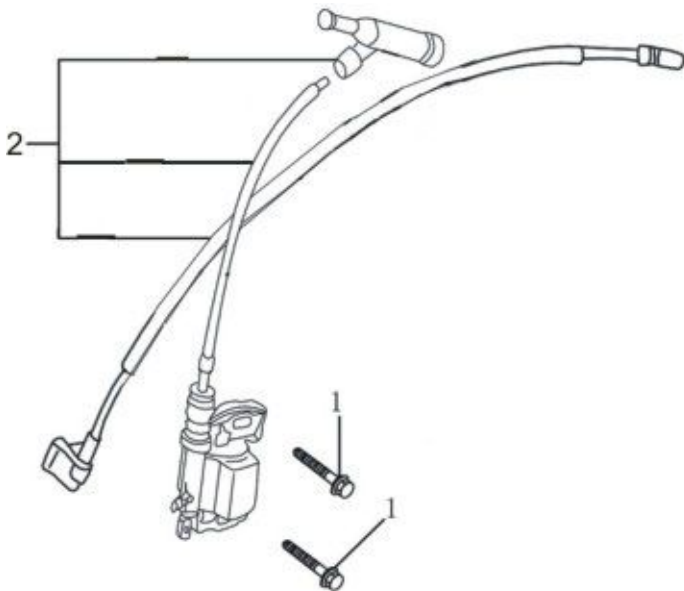
S/N	Part No.	Description	Qty
1	26114-A0710-0001	Regulating arm	1
2	26115-A0710-0001	Pulling rod	1
3	26117-A0710-0001	Back spring	1
4	26118-A0710-0001	Fine regulating spring	1
5	26200-B9130-0001 T311-0002	Regulating mount	1
6	T152-0019	Nut M6	1
7	26116-A0710-0001	Bolt M6×12	2
8		Lock bolt	1

**LIFAN
POWER
USA**



FLYWHEEL

S/N	Part No.	Description	Qty
1	23317-A0710-0001	Nut M14×1.5	1
2	23316-A0710-0002	Starting flange	1
3	19111-A0710-0001	Flywheel fan	1
4	23300-A0714-0004	Flywheel	1

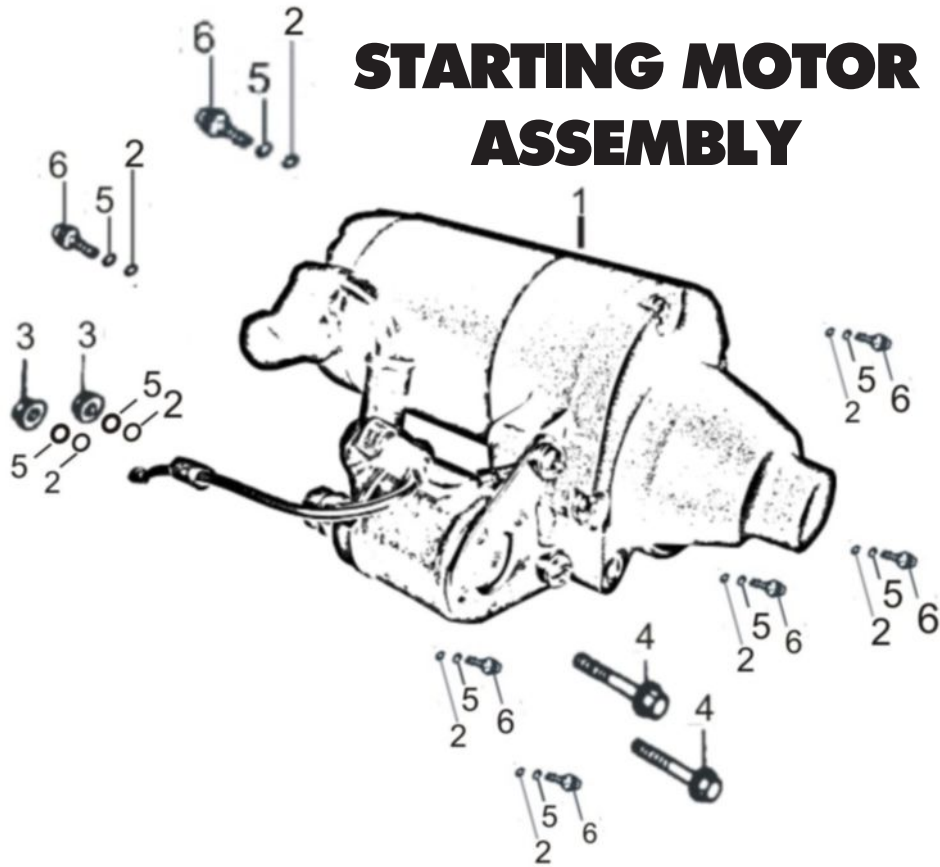


IGNITION COIL

S/N	Part No.	Description	Qty
1	T152-0034	Screw M6×25	2
2	27200-A0710-0001	Ignition coil unit	1

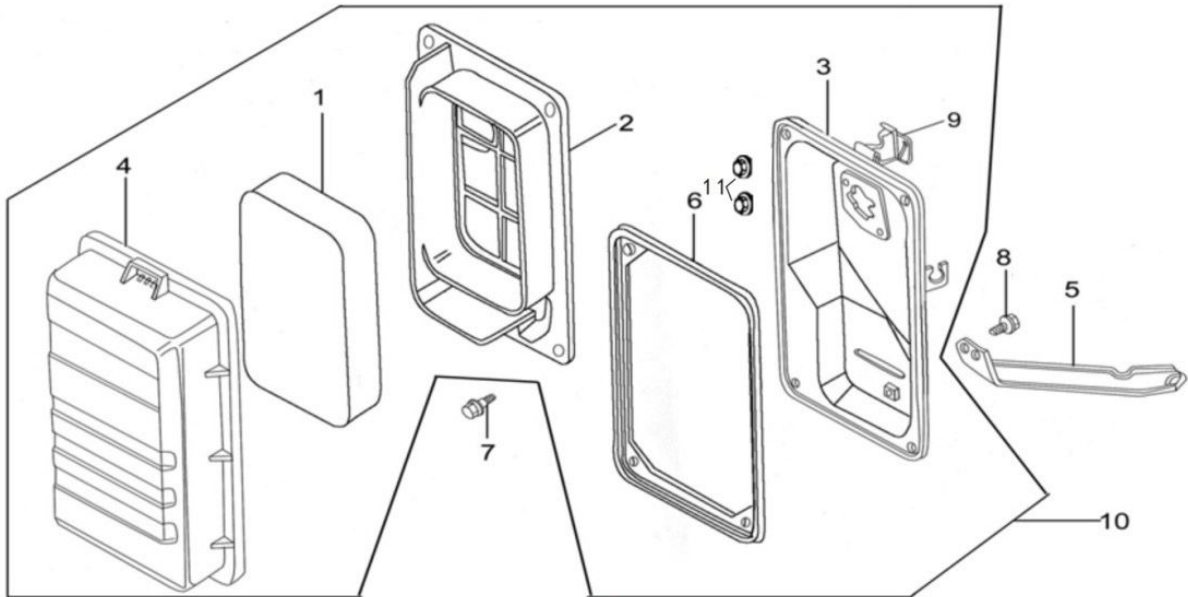
**LIFAN
POWER
USA**

STARTING MOTOR ASSEMBLY



S/N	Part No.	Description	Qty
1	24100-A0714-0001	Starting motor Assy	1
2	T411-0017	Washer, M4	9
3	T311-0002	Nut, M6	2
4	T151-0008	Bolt, M8×35	2
5	T441-0005	Spring washer, 4	9
6	T210-0006	Screw, M4×14	7

**LIFAN
POWER
USA**

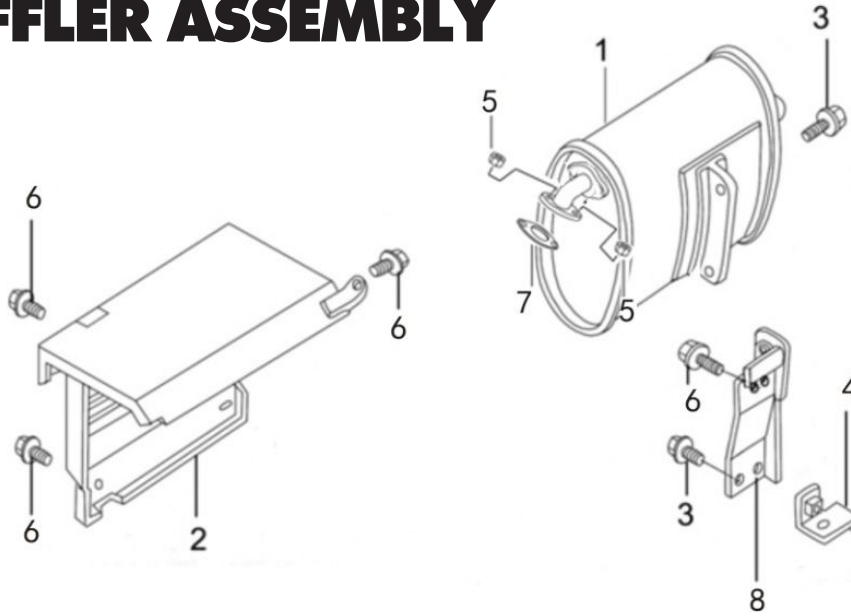


AIR CLEANER ASSEMBLY

S/N	Part No.	Description	Qty
1	17124-B9130-0002	Filter element	1
2	17125-B9130-0002	Retainer, filter element	1
3	17114-B9130-0002	Air cleaner case	1
4	17112-B9130-0002	Air cleaner cover	1
5	17233-B9130-0001	Air cleaner stay	1
6	17129-B9130-0001	Gasket	1
7	17117-A1310-0001	Bolt M5X30	4
8	T152-0019	Bolt M6×12	1
9	17140-B9130-0001	Hinge	2
10	17100-B9130-0006	Air cleaner Assy	1
11	T314-0001	Nut M6	2

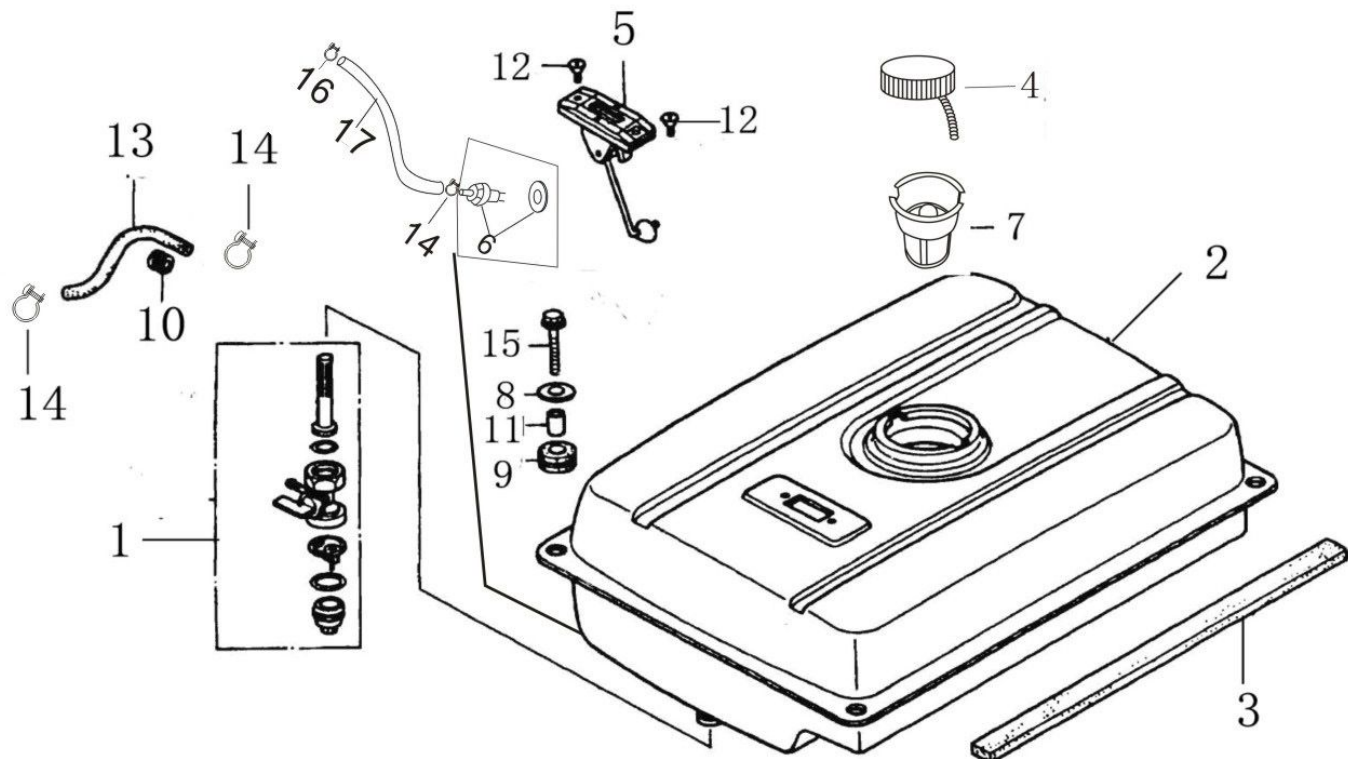
**LIFAN
POWER
USA**

MUFFLER ASSEMBLY



S/N	Part No.	Description	Qty
1	18100-BB130-0006		1
2	18130-B9130-0001	Muffler guard	1
3	T151-0005	Flange bolt M8×16	2
4	18150-B9130-0001	Muffler stay .	1
5	T310-0001	Nut M8	1
6	T152-0019	Flange bolt M6×12	6
7	18215-A0710-0001	Exhaust pipe gasket	2
8	18160-B9130-0001	Supporting plate	1
9	T151-0014		1

LIFAN
POWER
USA

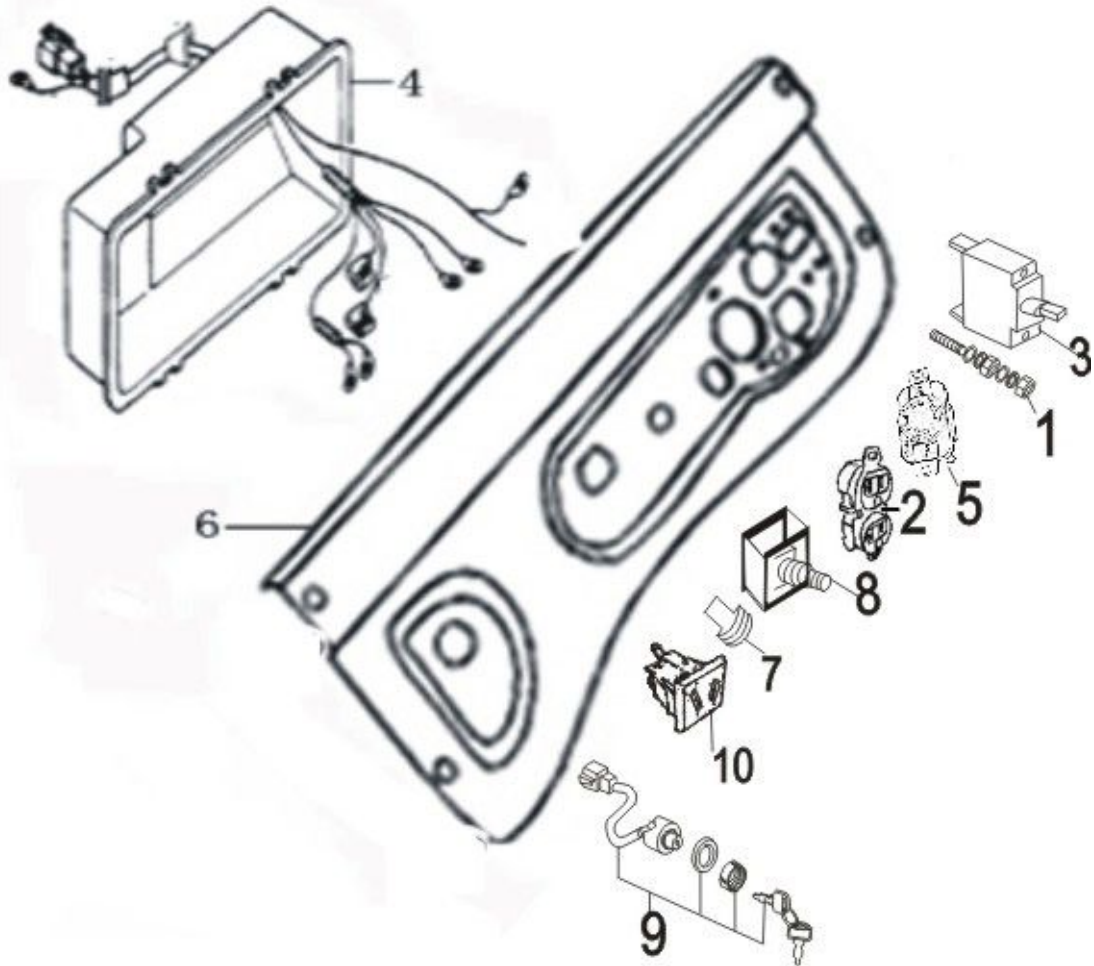


FUEL TANK ASSEMBLY

S/N	Part No.	Description	Qty
E14-01	16640-B9130-0002	Fuel cock assy	1
E14-02	16510-B9130-0068	Fuel tank	1
E14-03	16912-B9130-0001	Stripe, fuel tank	1
E14-04	16400-A0410-0002	Fuel filler cap comp.	1
E14-05	16560-B9130-0001	Oil indicator assy	1
E14-06	16557-A0710-0001		1
E14-07	16610-A0710-0003	Fuel filler assy	1
E14-08	16546-B9130-0001	Washer	4
E14-09	16911-B9130-0001	Cushion	4
E14-10	16626-BC130-0001	Vitta restrict	1
E14-11	16914-B9130-0001	Bush	4

S/N	Part No.	Description	Qty
E14-12	T211-0005	Screw M5×12	2
E14-13	16621-BC130-0004	Outlet	1
E14-14	16622-A0710-0002	Tube clip	3
E14-15	T151-0003	Bolt M6×22 Flange	4
E14-16	16622-A0710-0003	Tube clip	1
E14-17	11513-B9130-0002		1

**LIFAN
POWER
USA**



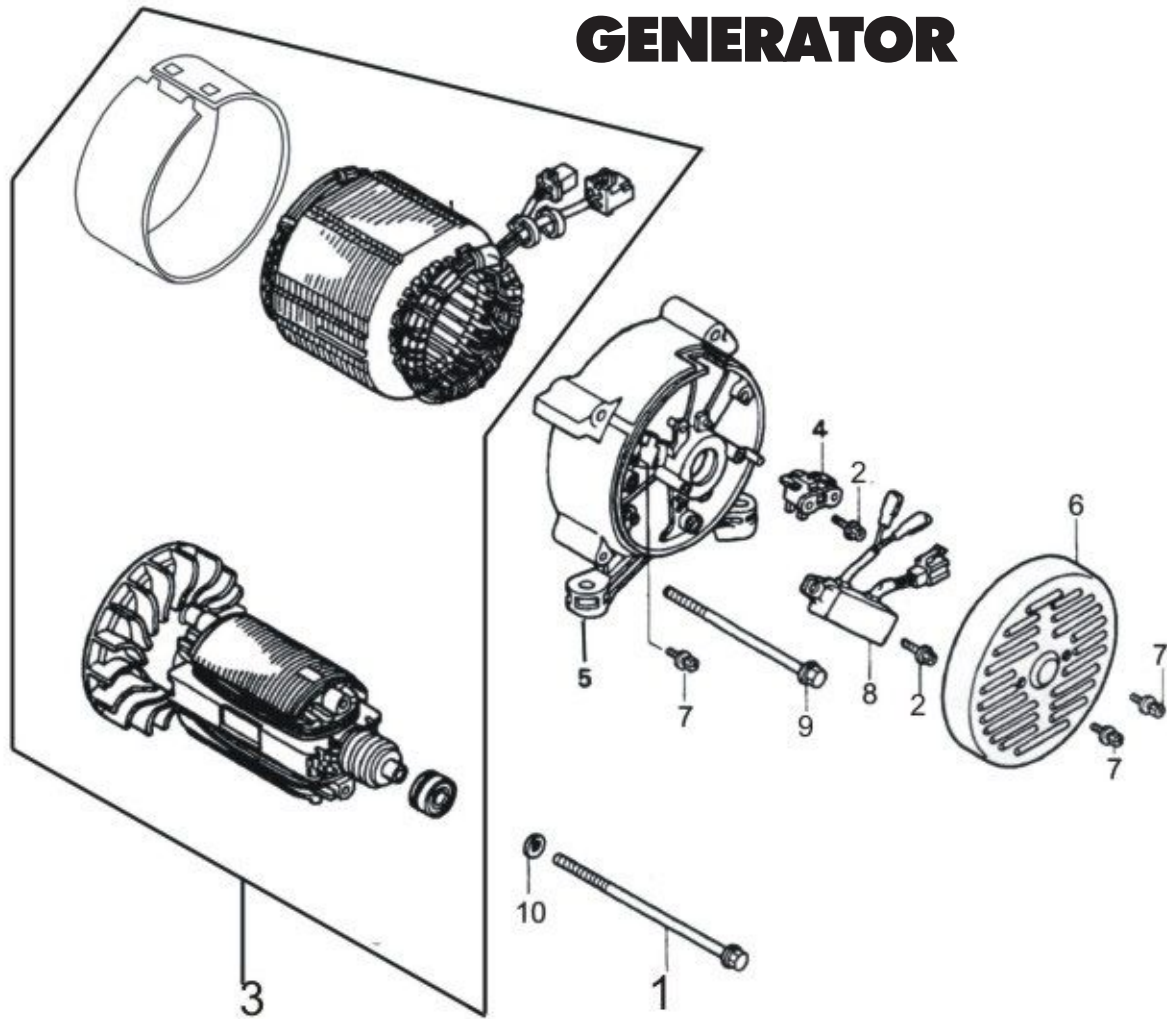
FUEL TANK ASSEMBLY

S/N	Part No.	Description	Qty
1	31222-B9130-0001	Earth terminal set	1
2	31223-B9130-0008		1
3	31221-B9130-0054	Circuit protector	1
4		Control panel case	1
5	31223-B9130-0007		1

S/N	Part No.	Description	Qty
6	31211-B9130-0026	Control panel	1
7	31215-B9130-0001		1
8	35324-BC130-0001		1
9	31225-B9140-0001	Ignition switch	1
10	31223-B9130-0020		1

**LIFAN
POWER
USA**

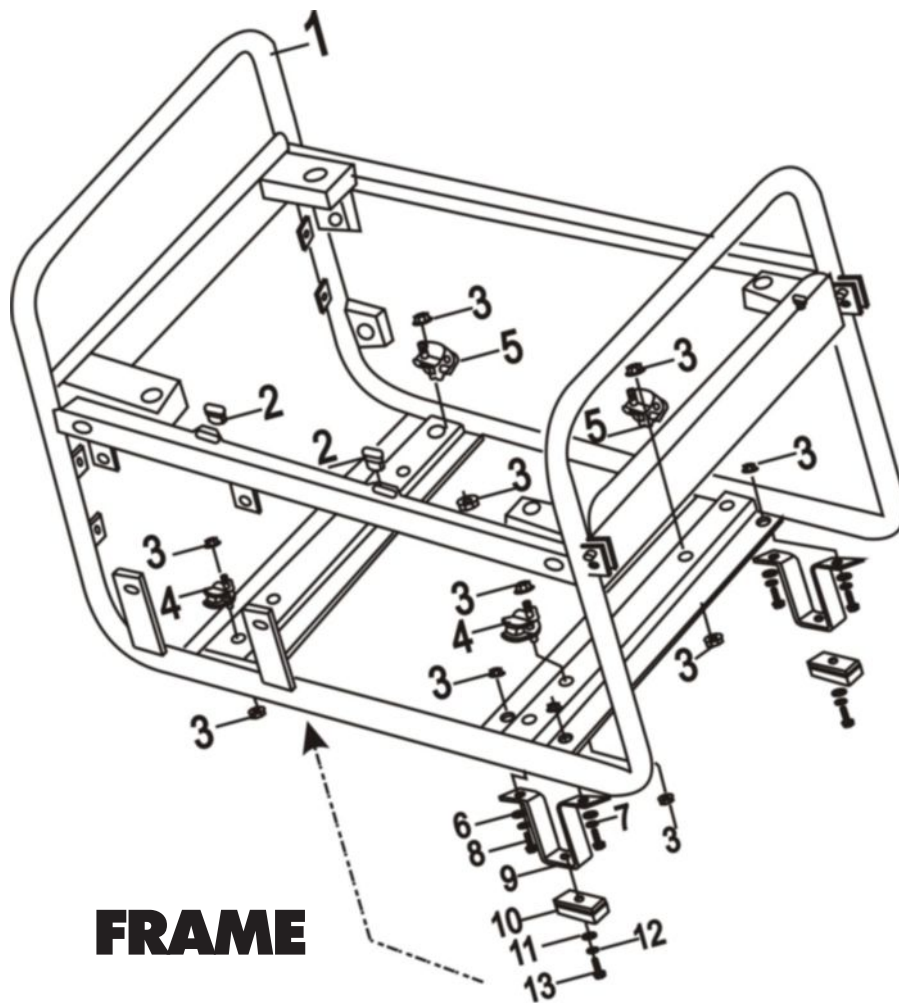
GENERATOR



S/N	Part No.	Description	Qty
1	31125-BC160-0001	Bolt M8×215	1
2	31153-B9130-0001	Bolt M5×12	6
3	31100-BC160-0005	Stator & rotor Assy	1
4	31130-B9130-0001	Brush Assy	1
5	31151-B9130-0001	Generator stay	1

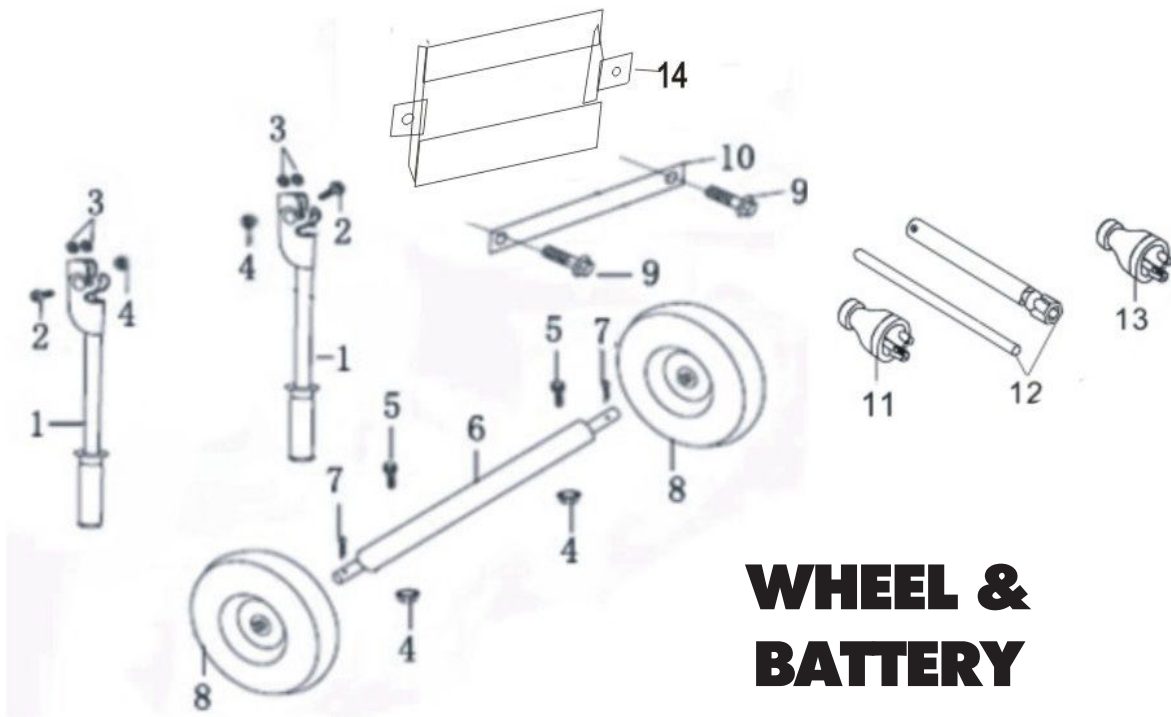
S/N	Part No.	Description	Qty
6	31152-B9130-0007	Generator end cover	1
7	T134-0002	Bolt M5×10	2
8	31140-B9130-0001	Voltage regulator	1
9	31112-BF130-0001	Flange bolt M6×164	4
10	31126-B9130-0001	Plain washer	1

**LIFAN
POWER
USA**



FRAME

S/N	Part No.	Description	Qty
G03-1	32100-BC170-0014	Frame	1
G03-2	32412-B9130-0001	Rubber pad, frame	2
G03-3	T311-0001	Nut M8	10
G03-4	32420-B9130-0001	Cushion, frame A	2
G03-5	32450-B9130-0001	Cushion, frame B	2
G03-6	T411-0001	Plain washer	4
G03-7	T441-0001	Plain washer	4
G03-8	T151-0006	Flange bolt M8×25	4
G03-9	32231-BB140-0006	Bracket	2
G03-10	31523-BF140-0001	Bracket cushion	2
G03-11	T411-0002	Plain washerΦ6	2
G03-12	T441-0002	Plain washerΦ6	2
G03-13	T151-0005	Flange bolt M8×16	2



WHEEL & BATTERY

S/N	Part No.	Description	Qty
G04-1	32417-BC130-0001	Armrest	2
G04-2	32139-BB140-0001	Flange bolt	2
G04-3	31161-B9130-0001	Handle gasket	4
G04-4	T311-0001	Nut M8	4
G04-5	T151-0006	Flange bolt M8×25	8
G04-6	31311-B9130-0002	Wheel axel,	1
G04-7	31352-B9130-0002	Split pin	2
G04-8	45420-B9130-0018	Wheel kit	2
G04-9	T152-0019	Flange bolt M6×12	2
G04-10	32433-B9140-0002	Battery box cover	1
G04-11	31224-B9130-0006	Plug 30A	2
G04-12	92230-B9130-0001	Sparking plug wrench(short)	1
G04-13	31247-B9130-0001	Plug	1
G04-14	32416-BB140-0001		

LIFAN POWER USA

2205 Industrial Park Road
Van Buren, AR
72956

www.lifanpowerusa.com
(866) 471-7464