

**LIFAN
POWER
USA**

WWW.LIFANPOWERUSA.COM

HYDRO PRO

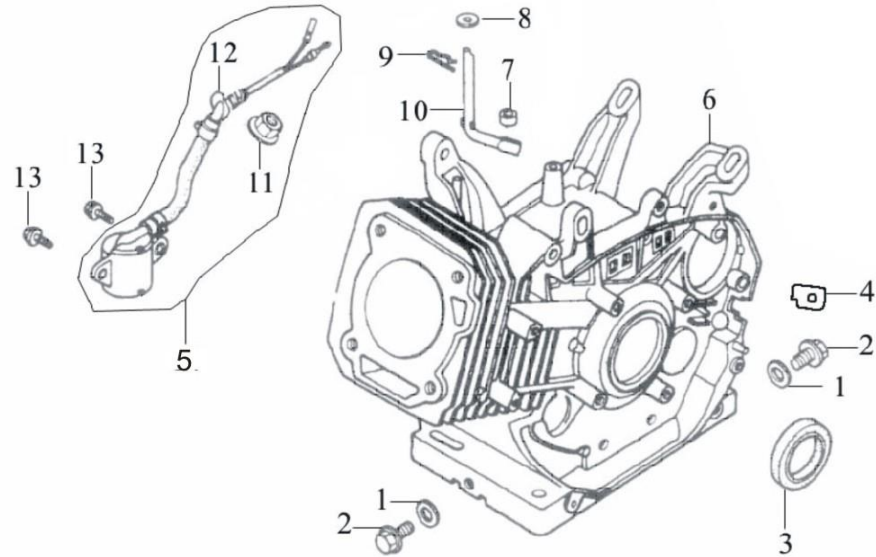
LFQ-4515 PRESSURE WASHER

EXPLODED VIEWS & PARTS LISTS



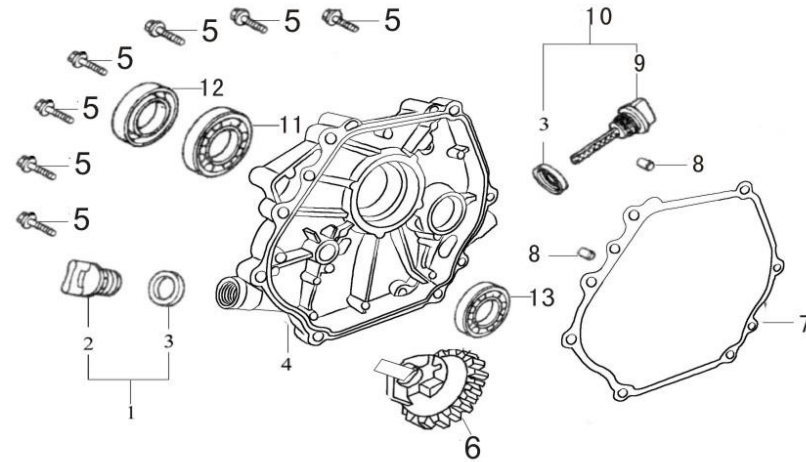
2205 Industrial Park Road Van Buren, AR 72956
(866) 471-7464 www.lifanpowerusa.com

E-1 CRANKCASE ASSY



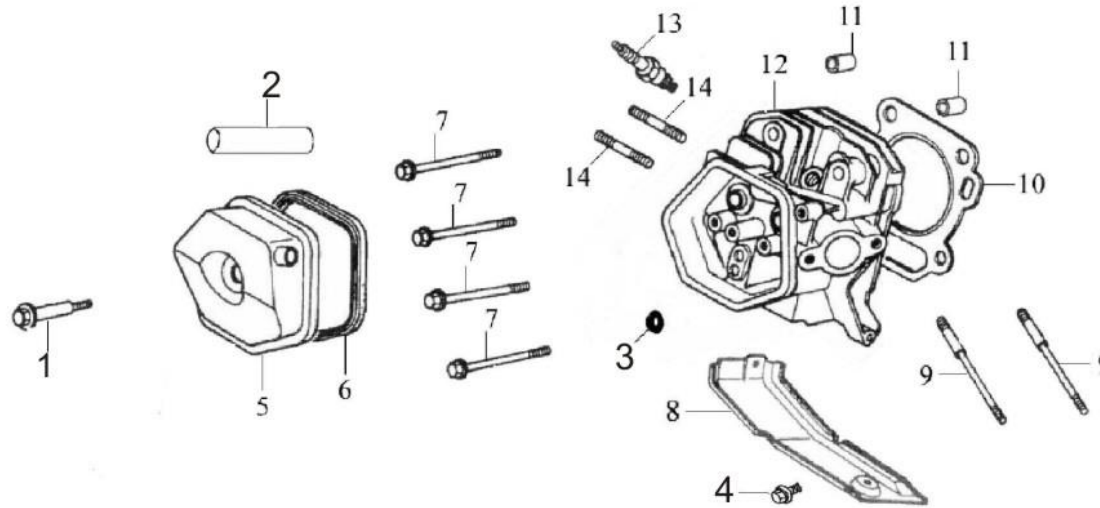
S/N	Part No.	Description	Quantity
1	11116-A0810-0001	Washer	2
2	11115-A0810-0001	Drain plug	2
3	11120-A1010-0001	Oil seal, crankshaft	1
4	11117-A0810-0001	Seal	1
5	27400-A0810-0002	Oil sensor	1
6	11110-A1214-0005	Crankcase	1
7	11130-A1010-0001	Oil seal, regulating sway bar	1
8	26113-A0810-0001	Washer	2
9	26112-A0810-0001	Split pin	1
10	26111-A1010-0001	Regulating sway bar	1
11	T312-0001	Nut M10	1
12	11119-A1310-0001	O-ring	1
13	T151-0008	Bolt M6 × 14	2

E-2 CRANKCASE COVER ASSY



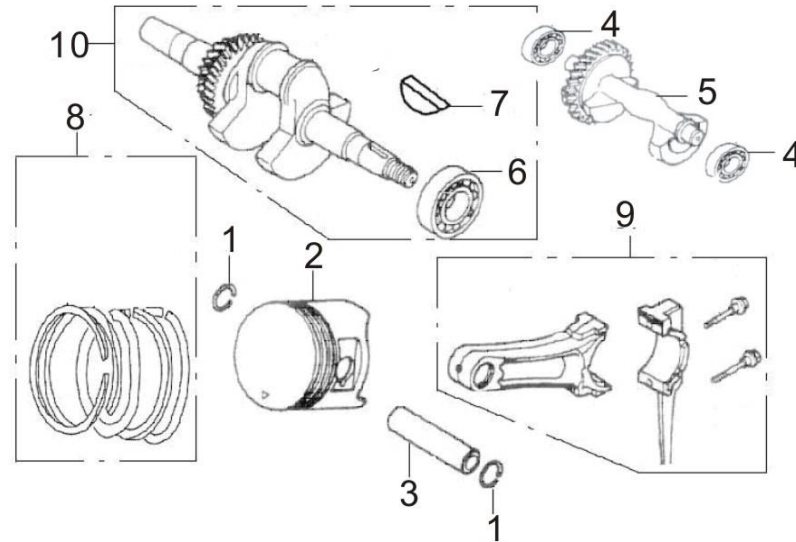
S/N	Part No.	Description	Quantity
1	15610-A0815-0001	Oil plug with Seal	1
2	15611-A0815-0001	Oil plug	1
3	15512-A07Y3-0001	Seal	2
4	11211-A1010-0006	Crankcase cover	1
5	T151-0013	Bolt M8×40	7
6	25100-A1210-0001	Driven gear, regulator assy	1
7	11114-A1010-0001	Gasket, crankcase	1
8	11113-A0810-0001	Set pin Φ8×12	2
9	15511-A0815-0001	Dipstick	1
10	15510-A0815-0001	Dipstick with seal	1
11	T910-0002	Bearing 6206	1
12	11120-A1010-0001	Oil seal, crankshaft	1
13	T910-0005	Bearing 6202	1

E-3 CYLINDER HEAD & CYLINDER HEAD COVER ASSY



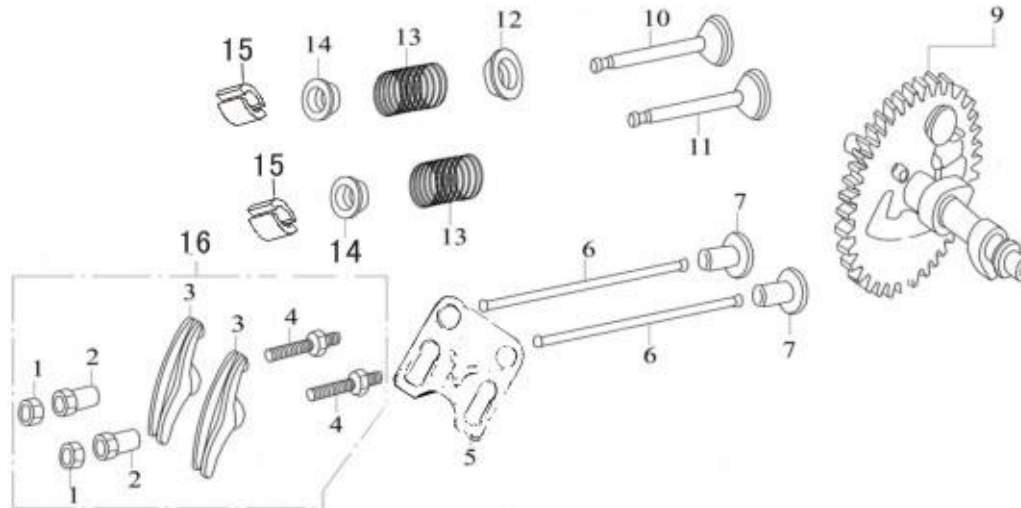
S/N	Part No.	Description	Quantity
1	12220-A0810-0001	Bolt	1
2	11513-A1010-0002	Air duck	1
3	14420-A0810-0001	Seal	1
4	T152-0019	Bolt M6×12	1
5	12200-A0810-0002	Cylinder head cover Assy	1
6	12212-A0810-0001	Gasket, cylinder head cover	1
7	12118-A0810-0001	Bolt	4
8	19121-A1010-0001	Lead wind cover	1
9	17218-A0810-0001	Stud	2
10	12120-A0910-0001	Gasket, cylinder head	1
11	12117-A0810-0001	Set pin	2
12	12100-A1210-0002	Cylinder head Assy	1
13	27100-A0710-0001	Spark plug	1
14	18214-A0810-0001	Stud	2

E-4 CRANKSHAFT, PISTON, CONNECTING & BALANCING SHAFT



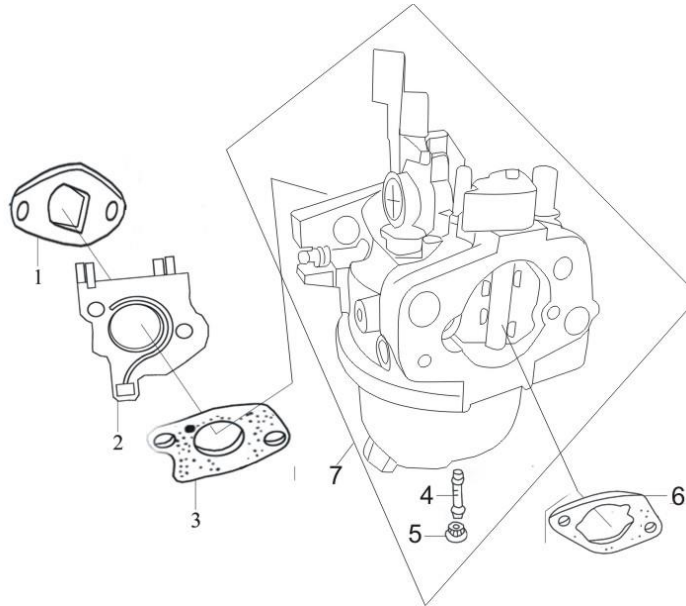
S/N	Part No.	Description	Quantity
1	13313-A1010-0001	Piston pin circlip	2
2	13311-A1210-0004	Piston	1
3	13312-A1010-0001	Piston pin	1
4	T910-0005	Bearing 6202	2
5	13116-A1210-0001	Balancing shaft	1
6	T910-0003	Bearing 6207	1
7	13112-A0710-0001	Wood ruff key	1
8	13400-A1210-0003	Piston ring set	1
9	13120-A1210-0001	Connecting rod assy	1
10	13110-A1210-0001	Crankshaft assy	1

E-5 COMBINATION OF CAM SHAFT & VALVE ROCKER



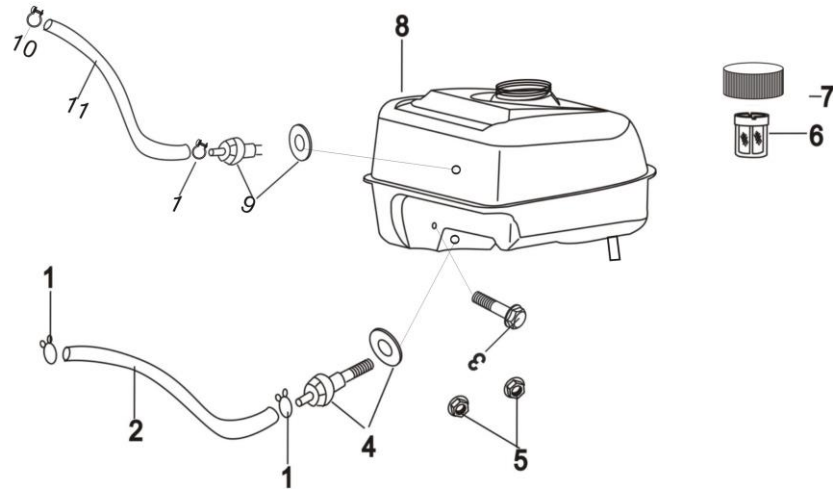
S/N	Part No.	Description	Quantity
1	14314-A0710-0001	Lock nut	2
2	14312-A0710-0001	Sleeve	2
3	14311-A0810-0001	Valve rocker	2
4	14313-A0710-0001	Adjusting bolt for valve gap	2
5	14220-A0810-0002	Pusher guide	1
6	14210-A1010-0001	Pusher	2
7	14315-A0810-0001	Tappet	2
9	14100-A1210-0002	Camshaft assy	1
10	14412-A1210-0001	Exhaust valve	1
11	14411-A1010-0003	Intake valve	1
12	14417-A0810-0001	Spring retainer, exhaust valve	1
13	14414-A0810-0001	Valve spring	2
14	14413-A1010-0001	Spring seat, exhaust valve	2
15	14418-A1010-0001	Valve lock clamp	4
16	14310-A0810-0001	Valve rocker assy	1

E-6 CARBURETOR ASSY



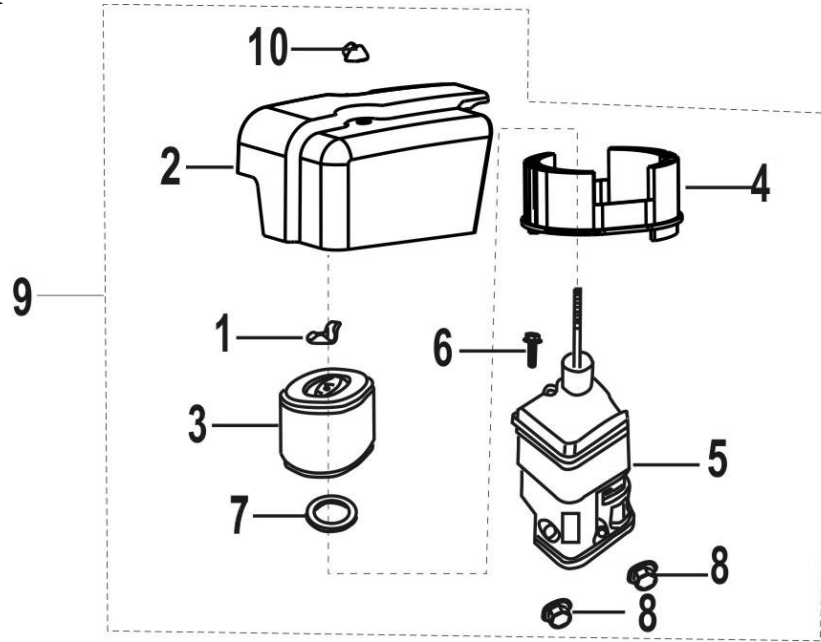
S/N	Part No.	Description	Quantity
1	17219-A1010-0001	Inlet gasket	1
2	16120-A1110-0001	Connecting block	1
3	16113-A1110-0001	Carburetor gasket	1
4	16244-A1210-0001	Main nozzle	1
5	16243-A1210-0001	Main jet	1
6	17113-A0810-0001	Air cleaner gasket	1
7	16100-A1210-0001	Carburetor Assy	1

E-7 FUEL TANK ASSY



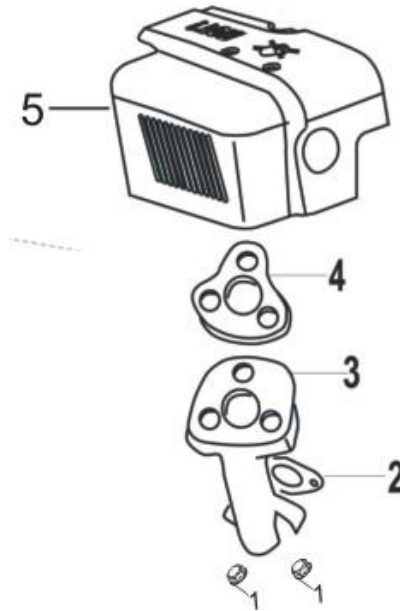
S/N	Part No.	Description	Quantity
1	16622-A0710-0003		3
2	16621-A1015-0004	Outlet pipe	1
3	T151-0006	Bolt M8×25	2
4	16630-A0710-0001	Connector	1
5	T314-0001	Nut M6	2
6	16610-A0710-0003	Filter cup	1
7	16400-A0410-0002	Fuel filler cap with packing ring	1
8	16510-A1012-0035	Fuel tank	1
9	16557-A0710-0001		1
10	16622-A0710-0003		1
11	11513-A1010-0002		1

E-8 AIR CLEANER ASSY



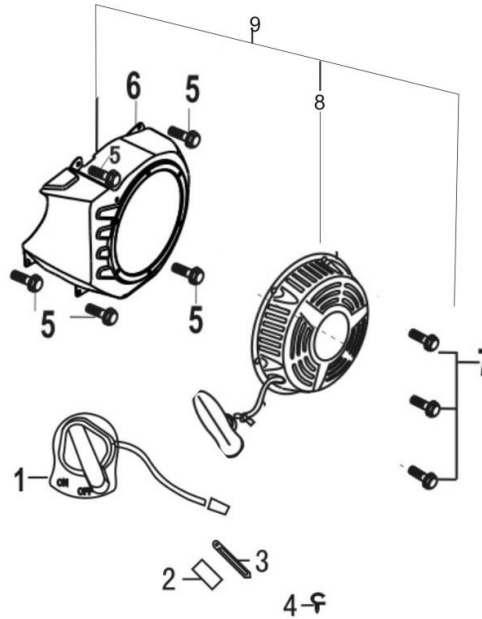
S/N	Part No	Description	Quantity
1	17111-A0710-0001	Wing nut	1
2	17112-A1012-0001	Air cleaner cover	1
3	17124-A1010-0001	Filter element	1
4	17114-A1210-0001	Air cleaner aeration cover	1
5	17200-A1010-0002	Air cleaner housing	1
6	T152-0011	Bolt M6×28	1
7	17121-A0810-0001	Washer	1
8	T314-0001	Nut M6	2
9	17100-A1212-0005	Air cleaner assy	1
10	17111-A0712-0001	Air cleaner cover nut	1

E-9 MUFFLER



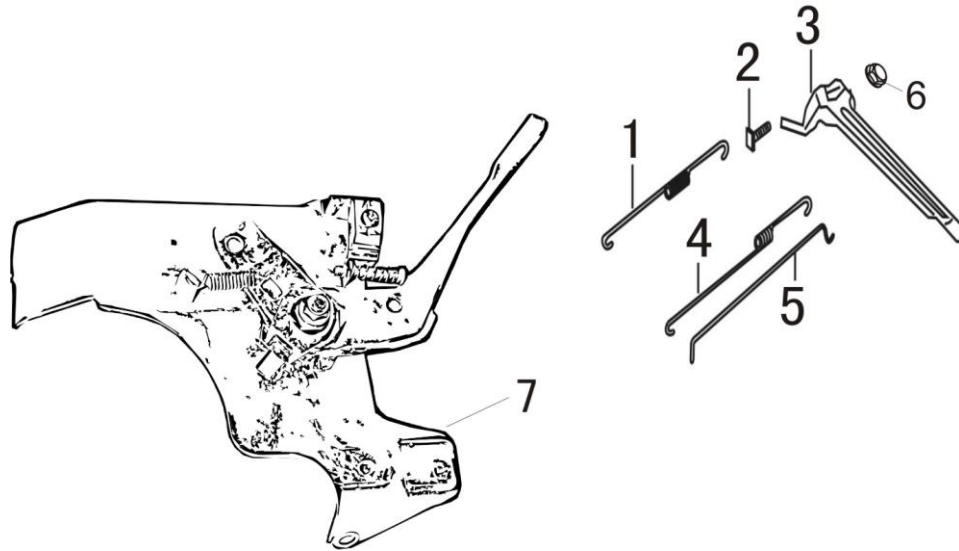
S/N	Part No	Description	Quantity
1	T354-0001	Nut M8	5
2	18215-A0810-0001	Exhaust pipe gasket	1
3	18117-A0810-0003	Exhaust pipe	1
4	18217-A0810-0001	Muffler gasket	1
5	18000-A1012-0006	Muffler assy	1

E-10 RECOIL STARTER



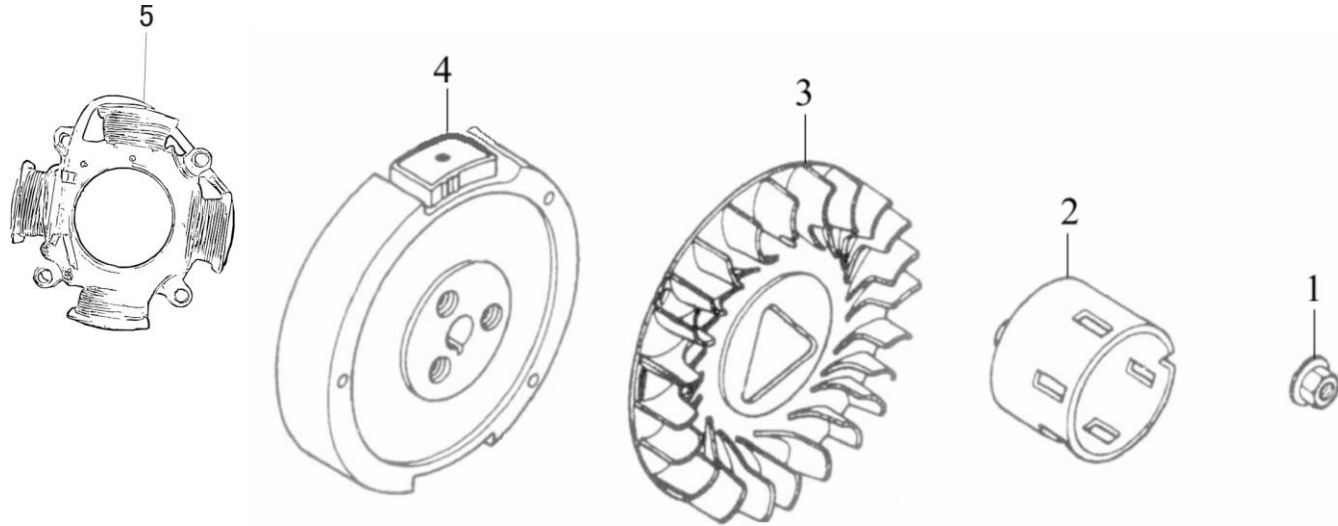
S/N	Part No	Description	Quantity
1	27300-A0712-0001	Engine switch	1
2	19314-A0810-0001	Wire grommet	1
3	19316-A0810-0002	Clip	1
4	16628-A0810-0001	Plastic clip	1
5	T152-0019	Bolt M6×12	5
6	19211-A1010-0041	Fan hood assy	1
7	T152-0036	Bolt M6×8	3
8	23200-A1011-0004	Recoil starter	1
9	23100-A1012-0020	Recoil starter assy	1

E-11 REGULATING CONTROL SYSTEM



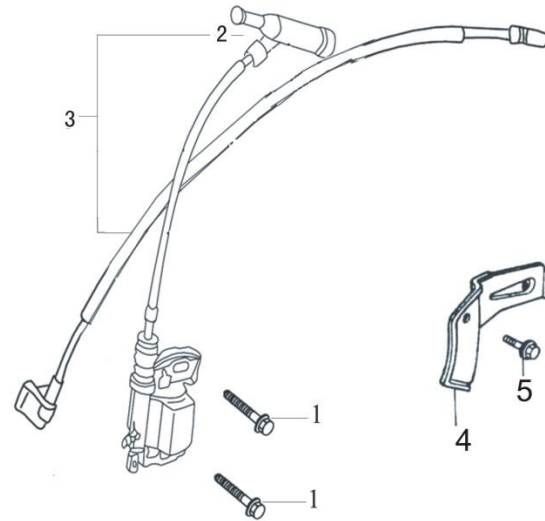
S/N	Part No	Description	Quantity
1	26117-A1010-0001	Back spring	1
2	26116-A0710-0001	Lock bolt	1
3	26114-A1010-0001	Regulating arm	1
4	26118-A1010-0001	Fine regutaling spring	1
5	26115-A1010-0001	Pulling rod	1
6	T311-0002	Nut M6	1
7	26200-A1010-0001	Regulating frame assy	1

E-12 FLYWHEEL



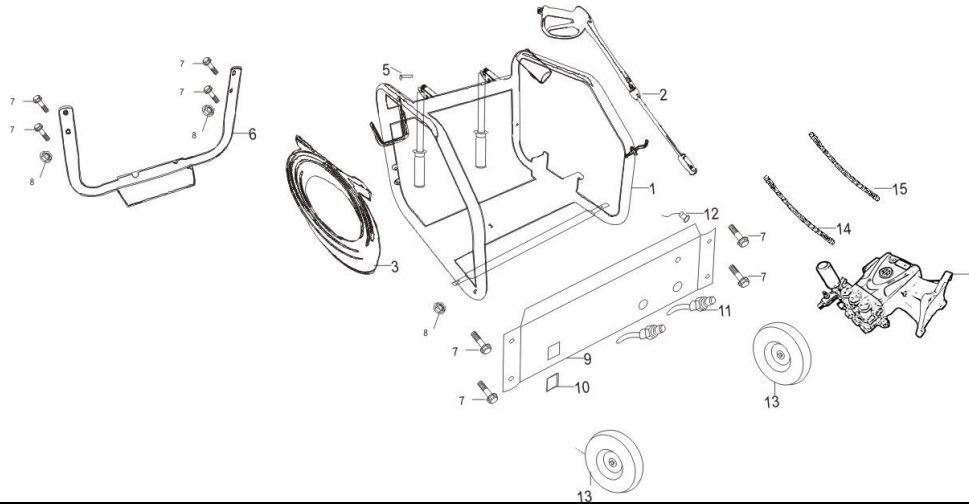
S/N	Part No	Description	Quantity
1	23317-A0810-0002	Nut M16×1.5	1
2	23316-A1010-0002	Starting flange	1
3	19111-A1210-0001	Flywheel fan	1
4	23300-A1114-0001	Flywheel	1
5	24130-A1014-0001		1

E-13 IGNITION COIL



S/N	Part No	Description	Quantity
1	T152-0034	Screw M6×25	2
2	27220-A1010-0001	Spark plug cap	1
3	27200-A1110-0001	Ignition coil assy	1
4	24145-A1014-0002	Clamper, cord	1
5	T152-0019	Bolt, M6×12	1

E-14 FRAME



S/N	Part No.	Description	Quantity
1	55100-EC510-0001	Frame	1
2	55550-EC510-0001	Wand assy	1
3	55511-ED910-0002	Outlet hose	1
4	55600-ED910-0002	Washer pump	1
5	32480-BB140-0002	bolt	2
6	31523-EEA10-0001	The foot rack support cushions	1
7	12118-A0430-0001	Bolt (M8x45)	8
8	T354-0001	Nut (M8)	8
9	31211-EC510-0002	Panel	1
10	31225-ED910-0001	Starting switch	1
11	55431-EC510-0001	Connector	2
12	26250-EC510-0001	Choke	1
13	45420-EC510-0001	The wheels	2
14	55530-EC510-0001	Inlet pipe	1
15	55510-ED910-0001	Outlet pipe	1