

**LIFAN  
POWER  
USA**

[WWW.LIFANPOWERUSA.COM](http://WWW.LIFANPOWERUSA.COM)

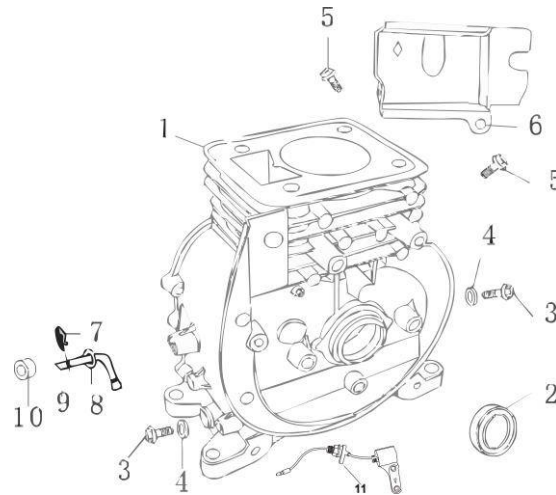
## **LF152F ENGINE**

### **EXPLODED VIEWS & PARTS LISTS**



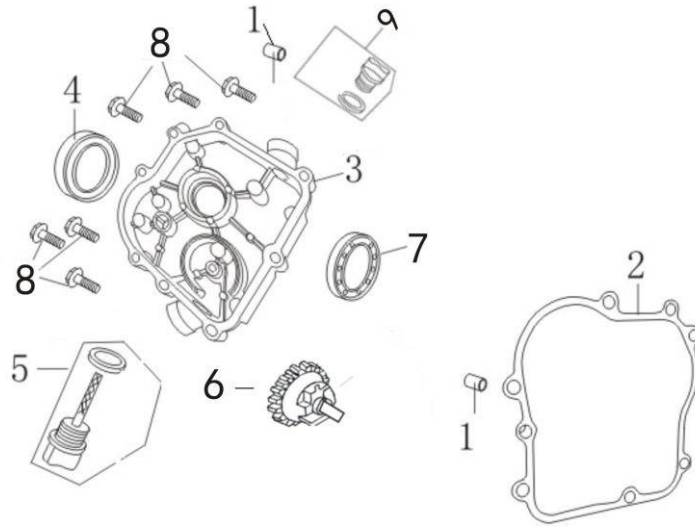
**2205 Industrial Park Road Van Buren, AR 72956**  
**(866) 471-7464 [www.lifanpowerusa.com](http://www.lifanpowerusa.com)**

## E-01 CRANKCASE ASSY



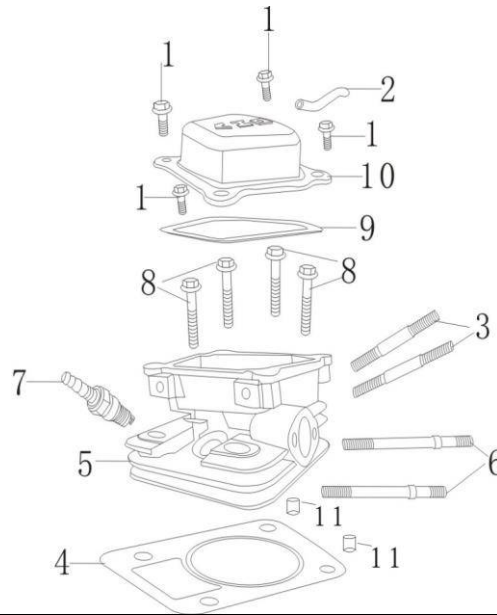
S/N	Part No.	Description	Quantity	Remark
1	11110-A0430-0001	Crankcase	1	
2	11120-A0410-0002	Oil seal(17×30×6), crankshaft	1	
3	11115-A0710-0001	Drain plug	2	
4	11116-A0710-0001	Washer	2	
5	T151-0002	Bolt M6×12 (GB/T16674)	2	
6	19121-A0430-0001	Flow guard(—)	1	
7	26112-A0410-0001	Keeper, sway bar	1	
8	26113-A0410-0001	Washer, sway bar5.5x12x1	1	
9	26111-A0410-0001	Sway bar	1	
10	11130-A0410-0001	Oil seal, sway bar5x10x4	1	
11	27400-A0430-0001	Oil sensor	1	

## E-02 CRANKCASE COVER ASSY



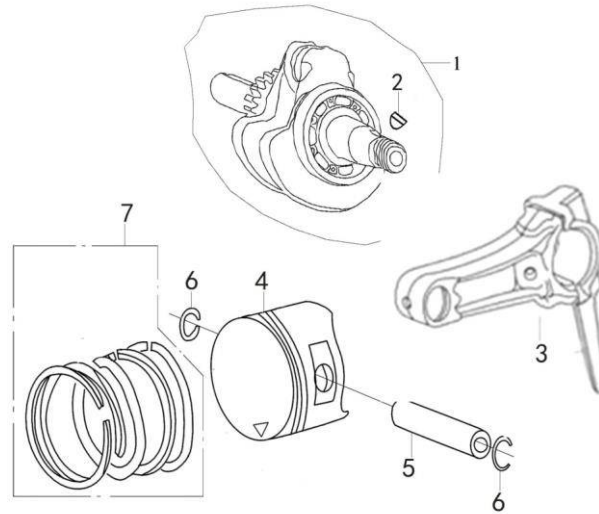
S/N	Part No.	Description	Quantity	Remark
1	11113-A0710-0001	Set pin $\phi 8 \times 14$	2	
2	11114-A0430-0001	Gasket, crankcase	1	
3	11211-A0430-0001	Crankcase cover	1	
4	11120-A0410-0002	Oil seal (一) ( $17 \times 30 \times 6$ ), crankshaft	1	
5	15510-A0710-0001	Dipstick sub-assy	1	
6	25100-A0410-0001	Driven gear sub-assy, governor	1	
7	T910-0006	Bearing 6203	1	
8	T151-0021	Bolt M6 $\times$ 28 (GB/T16674)	6	
9	15610-A0710-0001	Oil plug sub-assy	1	

### E-3 CYLINDER HEAD & CYLINDER HEAD COVER ASSY



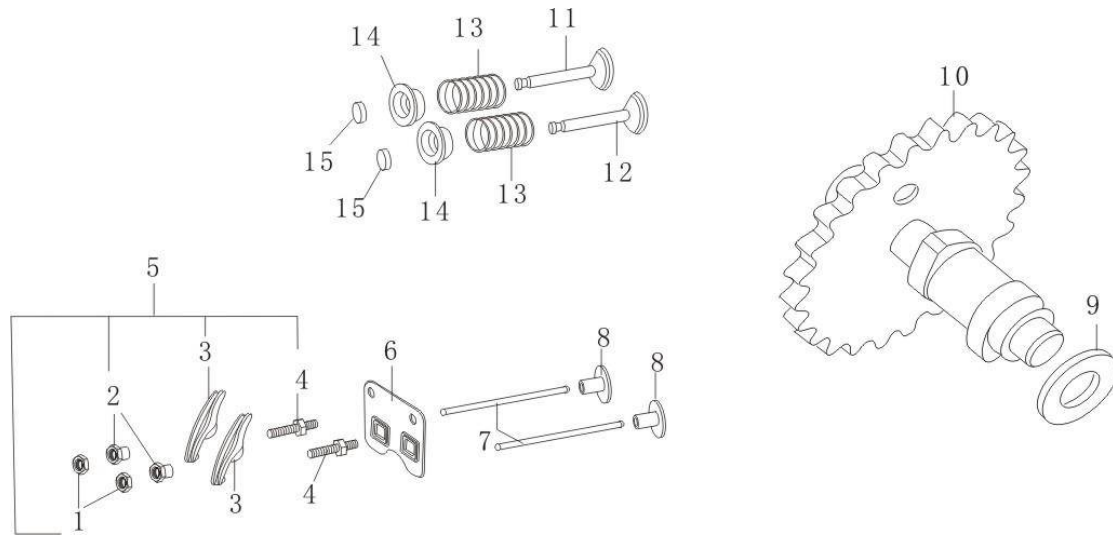
S/N	Part No.	Description	Quantity	Remark
1	T151-0002	Bolt M6×12	4	
2	19143-A0430-0001	Air duck	1	
3	17218-A0430-0001	Stud M5×85	2	
4	12120-A0430-0001	Gasket, cylinder head	1	
5	12100-A0430-0001	Cylinder head Assy	1	
6	18214-A1820-0001	Stud M6×82	2	
7	27100-A0410-0004	Spark plug 255	1	
8	12118-A0430-0001	Bolt M8x45	4	
9	12212-A0430-0001	Gasket, cylinder head cover	1	
10	12200-A0430-0001	Cylinder head cover Assy	1	
11	12117-A0710-0001		2	

## E-4 CRANKSHAFT, PISTON & CONNECTING ROD



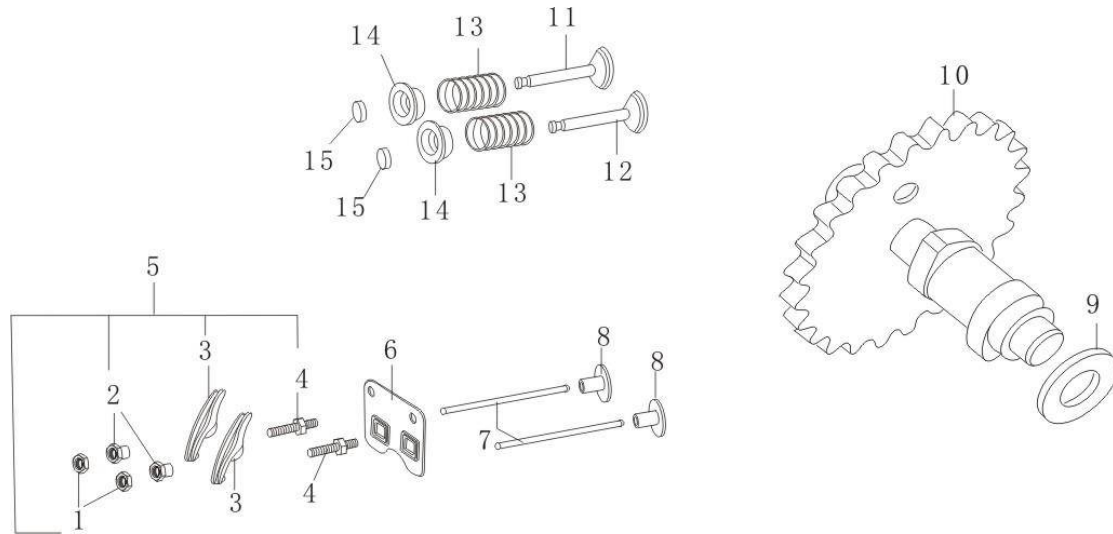
S/N	Part No.	Description	Quantity	Remark
1	13110-A0430-0007	Crankshaft sub-assy	1	
2	13112-A0410-0001	Woodruff key	1	
3	13120-A0410-0001	Connecting rod	1	
4	13311-A0410-0001	Piston	1	
5	13312-A0410-0001	Piston pin	1	
6	13313-A0410-0001	Circlip, piston pin	1	
7	13400-A0410-0001	Piston ring set	2	

## E-5 COMBINATION OF CAM SHAFT & VALVE ROCKER



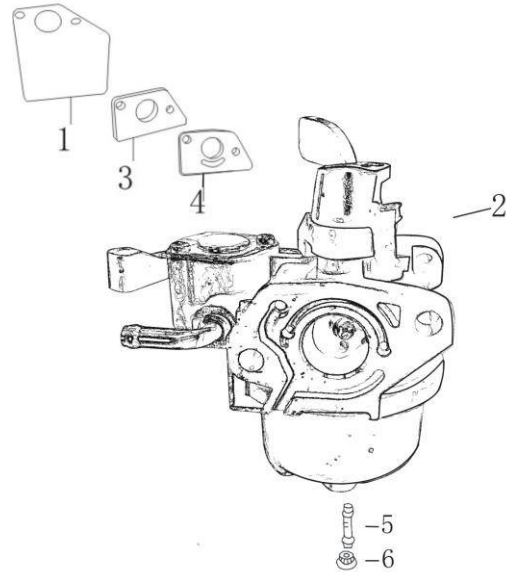
S/N	Part No.	Description	Quantity	Remark
1	14314-A0710-0001	Lock nut	2	
2	17114-A0410-0001	Sleeve	2	
3	14311-A0430-0001	Valve rocker	2	
4	14313-A0430-0001	Adjusting bolt for valve gap	2	
5	14310-A0430-0001	Valve rocker assy	2	
6	14220-A0430-0001	Pusher guide	1	
7	14210-A0430-0001	Pusher	2	
8	14315-A0430-0001	Tappet	2	
9	14114-A0410-0001	Washer, camshaft	1	
10	14100-A0410-0001	Camshaft	1	
11	14412-A0430-0001	Exhaust valve	1	
12	14411-A0430-0001	Intake valve	1	

## E-5 COMBINATION OF CAM SHAFT & VALVE ROCKER



S/N	Part No.		Description	Quantity	Remark
13	14414-A0430-0001		Valve spring	2	
14	14415-A0410-0001		Spring seat, valve	2	
15	14416-A0430-0001		Cap	2	

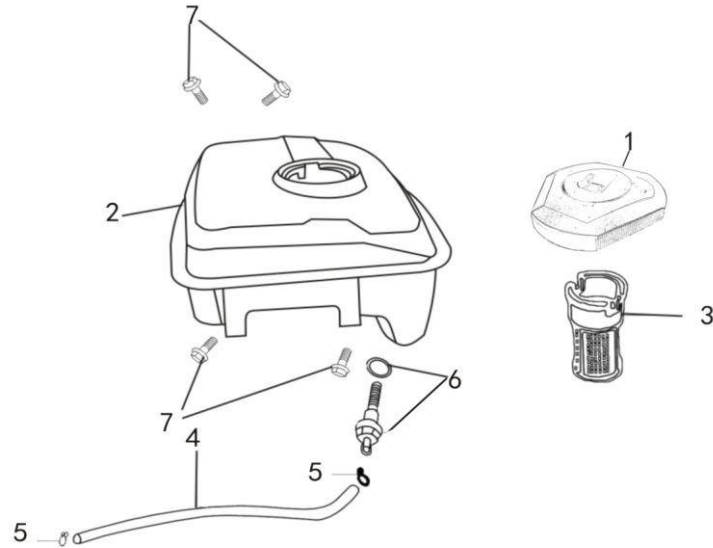
## E-6 CARBURETOR ASSY



S/N	Part No.	Description	Quantity	Remark
1	17219-A0430-0001	Gasket, intake port	1	
2	16100-A0430-0001	Carburetor assy	1	
3	16120-A0430-0001	Connecting block	1	
4	16113-A0430-0001	Gasket, carburetor	1	
5	16244-A0410-0001	Main nozzle	1	
6	16243-A0410-0001	Main je	1	

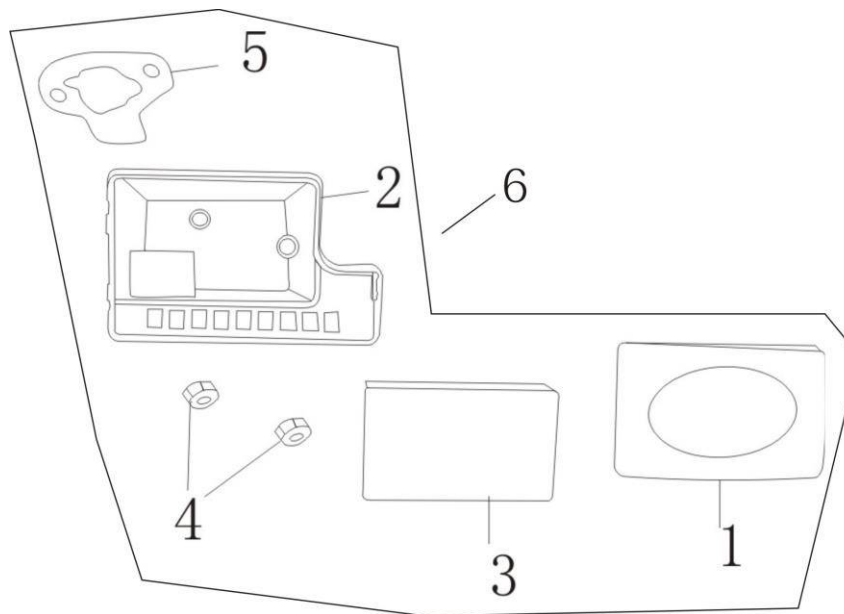


## E-7 FUEL TANK ASSY



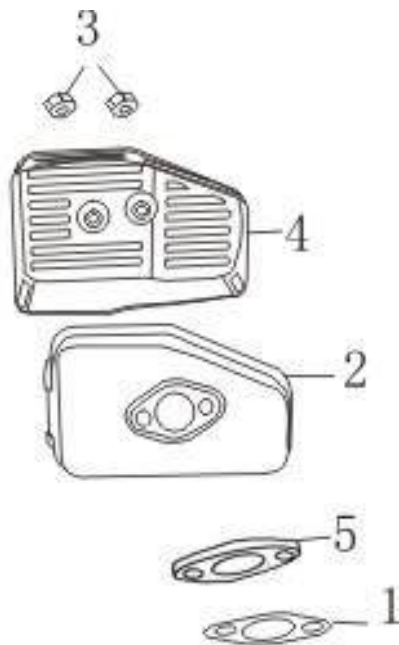
S/N	Part No.	Description	Quantity	Remark
1	16400-A0710-0006	Fuel filler cap sub-assy	1	
2	16510-A0430-0007	Fuel tank	1	
3	16610-A0430-0001	Filter cup	1	
4	16623-A0721-0005	Outlet pipe	1	
5	16622-A0710-0005	Pipe clamp8.5x8	2	
6	16630-A0710-0001	Outlet nipple	1	
7	T151-0002	Bolt M6×12 (GB/T16674)	4	

## E-8 AIR CLEANER ASSY



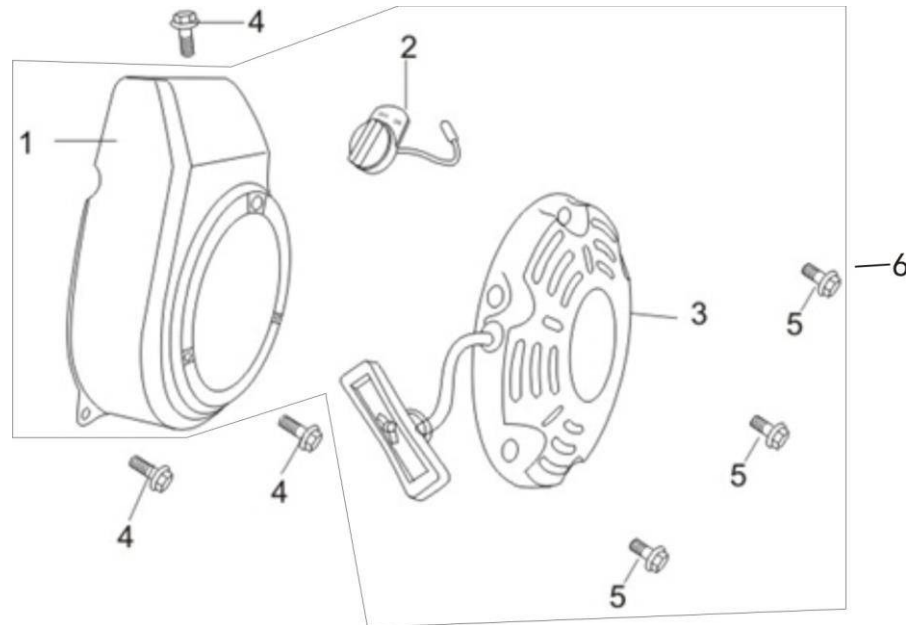
S/N	Part No.	Description	Quantity	Remark
1	17112-A0410-0001	Cover, air cleaner	1	
2	17114-A0410-0001	Housing, air cleaner	1	
3	17124-A0410-0001		1	
4	T314-0006	Nut M5 (GB/T6187.1)	2	
5	17113-A0410-0001	Gasket, air cleaner	1	
6	17100-A0430-0001			

## E-9 MUFFLER



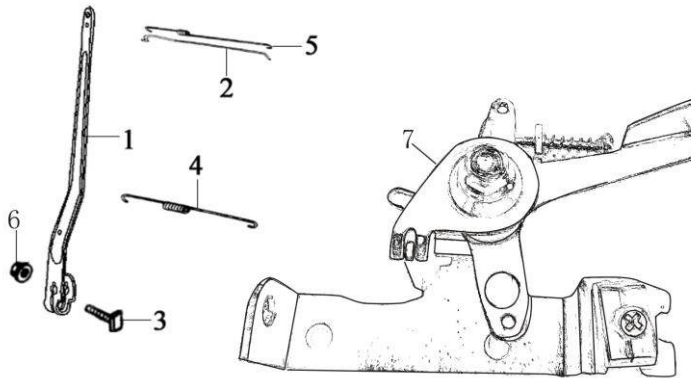
S/N	Part No.	Description	Quantity	Remark
1	18215-A0430-0001	Gasket, exhaust port	2	
2	18000-A0430-0001	Muffler	1	
3	T314-0005	Nut M6 (GB/T6187.1)	2	
4	18130-A0430-0001	Muffler hood	1	
5	18221-A0430-0001	Muffler block	1	

## E-10 RECOIL STARTER



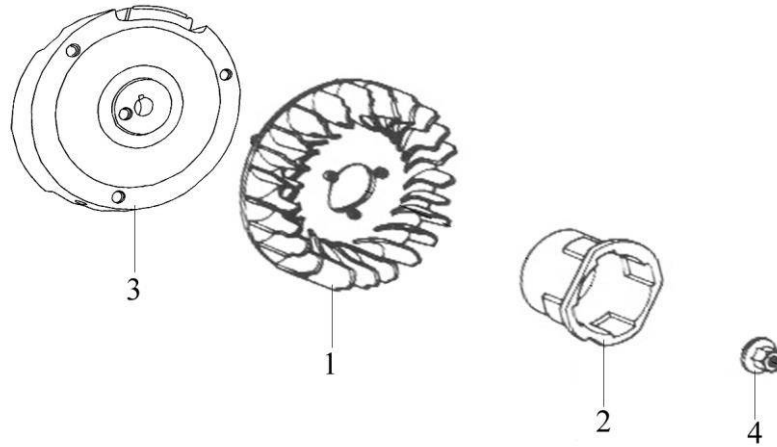
S/N	Part No.		Description	Quantity	Remark
1	19211-A0430-0012		Fan hood	1	
2	27300-A0721-0001		Engine switch	1	
3	23100-A0430-0013		Recoil starter	1	
4	T151-0002		Bolt M6×12 (GB/T16674)	3	
5	T210-0005		Bolt M5x8 GB/T818)	3	
6	23230-A0710-0001		Recoil starter assy	1	

## E-11 GOVERNING CONTROL SYSTEM



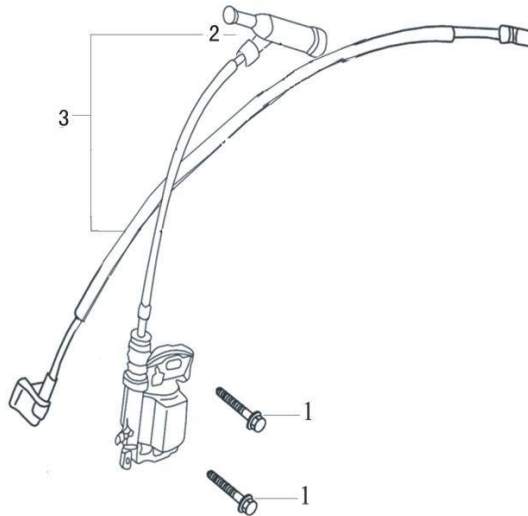
S/N	Part No.	Description	Quantity	Remark
1	26114-A0430-0001	Governor arm	1	
2	26115-A0410-0001	Pull-rod, governor	1	
3	26116-A0710-0001	Lock bolt	1	
4	26117-A0430-0001	Return spring	1	
5	26118-A0410-0001	Assistant spring, governor	1	
6	T354-0002	Nut M6 (GB/T6187)	1	
7	26200-A0430-0006	Mount, governor	1	

## E-12 FLYWHEEL



S/N	Part No.	Description	Quantity	Remark
1	19111-A0410-0001	Fan, flywheel	1	
2	23316-A0410-0001	Starting flange	1	
3	23300-A0410-0001	Flywheel	1	
4	23317-A0410-0001	Nut M12×1.25	1	

## E-13 IGNITION COIL



S/N	Part No	Description	Quantity	Remark
1	T152-0011	Screw M6×28(GB/T16674)	2	
2	27220-A0410-0001	Spark plug cap	1	
3	27200-A0430-0001	Ignition coil assy (-)	1	