

**LIFAN  
POWER  
USA**

WWW.LIFANPOWERUSA.COM

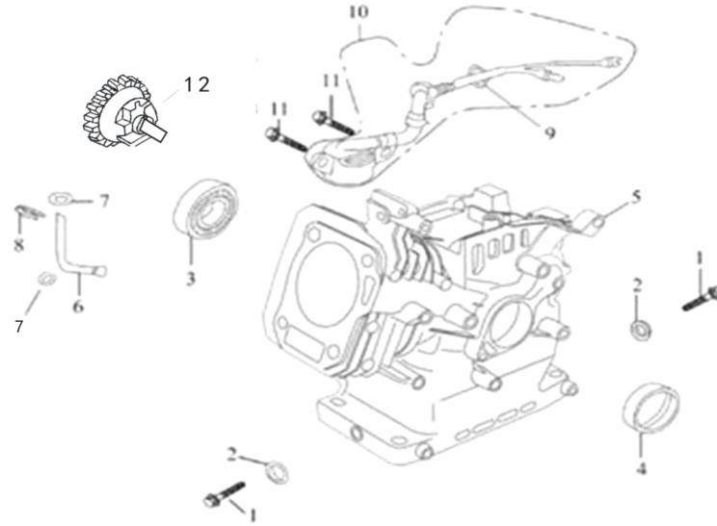
## **LF1 60-F ENGINE**

### **EXPLODED VIEWS & PARTS LISTS**



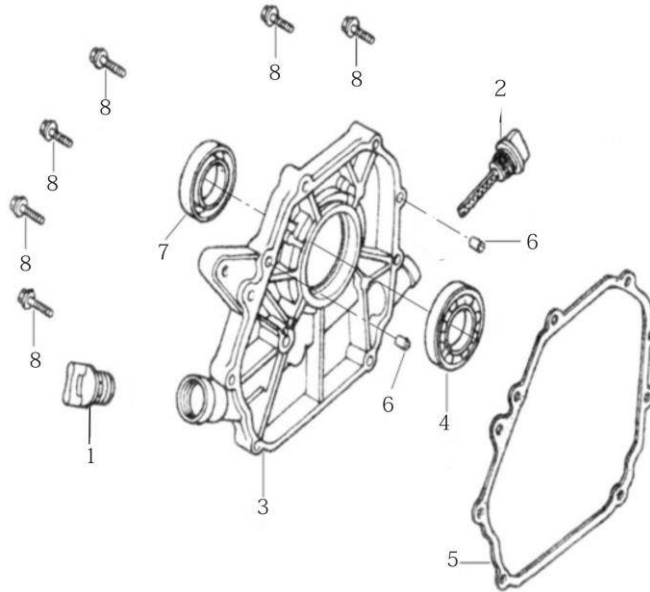
**2205 Industrial Park Road Van Buren, AR 72956**  
**(866) 471-7464 www.lifanpowerusa.com**

## E-1 CRANKCASE ASSY



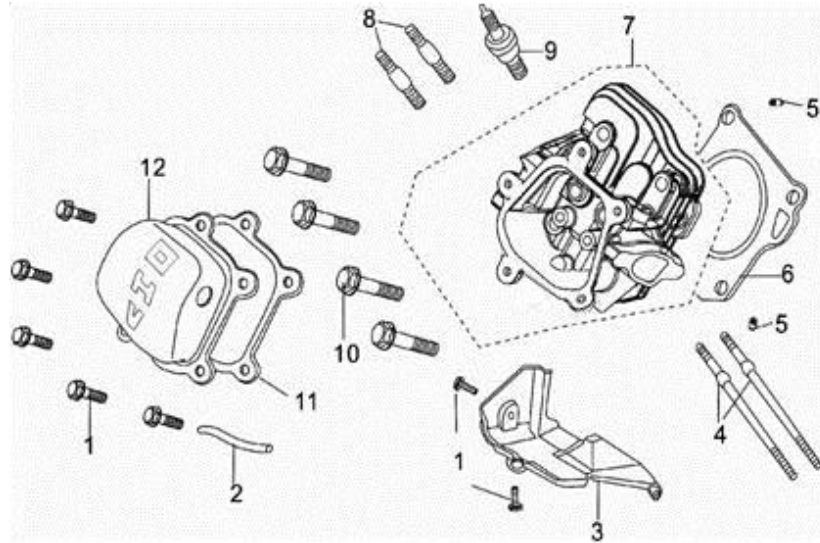
S/N	Part No.	Description	Quantity	Remark
1	11115-A0710-0001	Drain plug M10x15	2	
2	11116-A0710-0001	Washer	2	
3	T910-0001	Bearing 6205	1	
4	11120-A1710-0001	Oil seal, crankshaft	1	
5	11110-A0611-0001	Crankcase	1	
6	26111-A0710-0001	Regulating sway bar	1	
7	26113-A0710-0001	Washer	2	
8	26112-A0710-0001	Split pin	1	
9	T311-0005	Nut M10	1	
10	27400-A0710-0002	Oil sensor	1	
11	T152-0004	Bolt M6×14	2	
12	25100-A0710-0004	Driven gear assy, regulator	1	

## E-2 CRANKCASE COVER ASSY



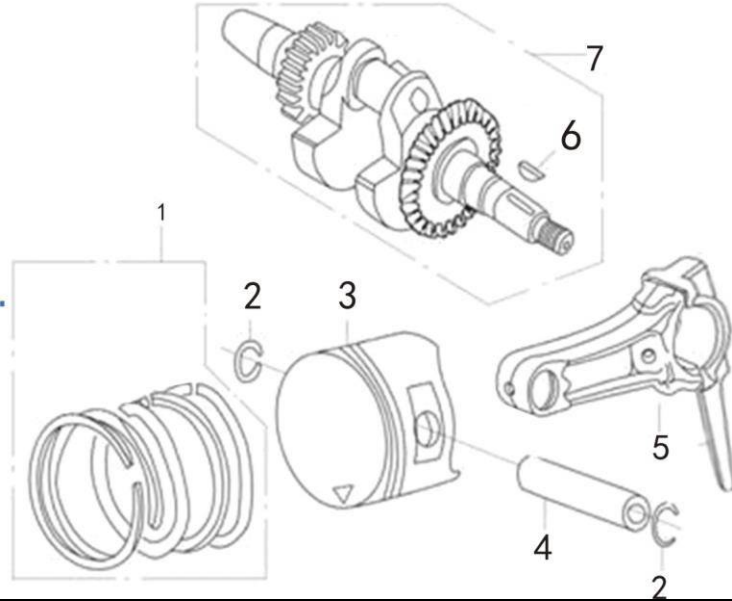
S/N	Part No.	Description	Quantity	Remark
1	15610-A0710-0001	Oil plug with Seal	1	
2	15510-A0710-0001	Dipstick with seal	1	
3	11211-A0610-0001	Crankcase cover	1	
4	T910-0001	Bearing 6205	1	
5	11114-A0610-0001	Gasket, crankcase	2	
6	11113-A0710-0001	Set pin $\phi 8 \times 14$	1	
7	11120-A0710-0001	Oil seal, crankshaft	1	
8	T151-0001	Bolt M8 $\times$ 32	6	

## E-3 CYLINDER HEAD & CYLINDER HEAD COVER ASSY



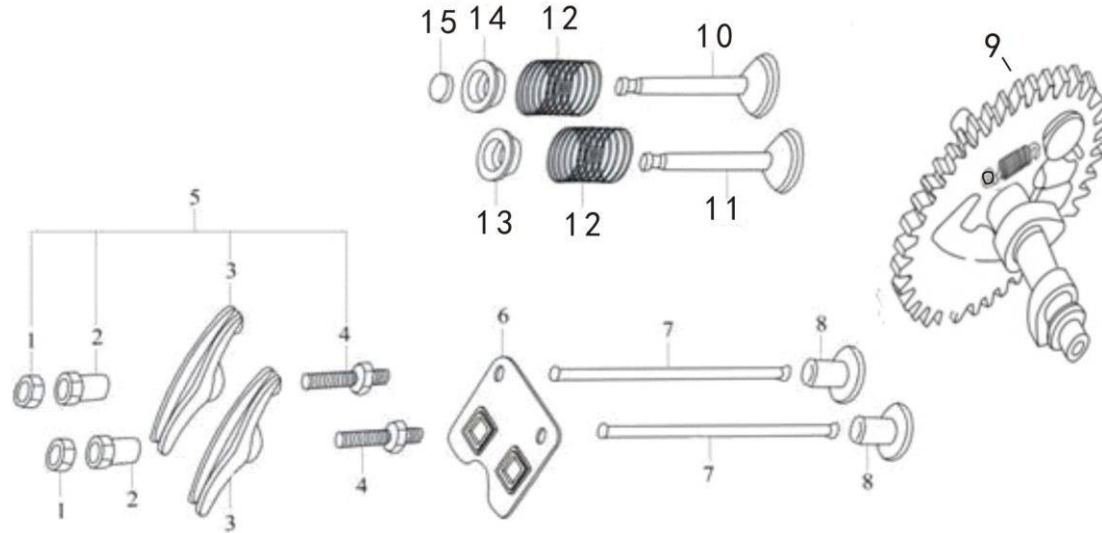
S/N	Part No.	Description	Quantity	Remark
1	T151-0002	Bolt M6×12	7	
2	19143-B9130-0001	Air duck	1	
3	19121-A0610-0001	Lead wind cover	1	
4	17218-A1710-0001	Stud M6×96	2	
5	12117-A0710-0001	Set pin φ 10×16	2	
6	12120-A0610-0001	Gasket, cylinder head	1	
7	12100-A0610-0001	Cylinder head Assy	1	
8	18214-A0710-0001	Stud M8×34	2	
9	27100-A0710-0001	Spark plug F6TC	1	
10	12118-A0610-0001	Bolt M8x55	4	
11	12212-A0710-0001	Gasket, cylinder head cover	1	
12	12200-A0710-0002	Cylinder head cover Assy	1	

## E-4 CRANKSHAFT, PISTON & CONNECTING



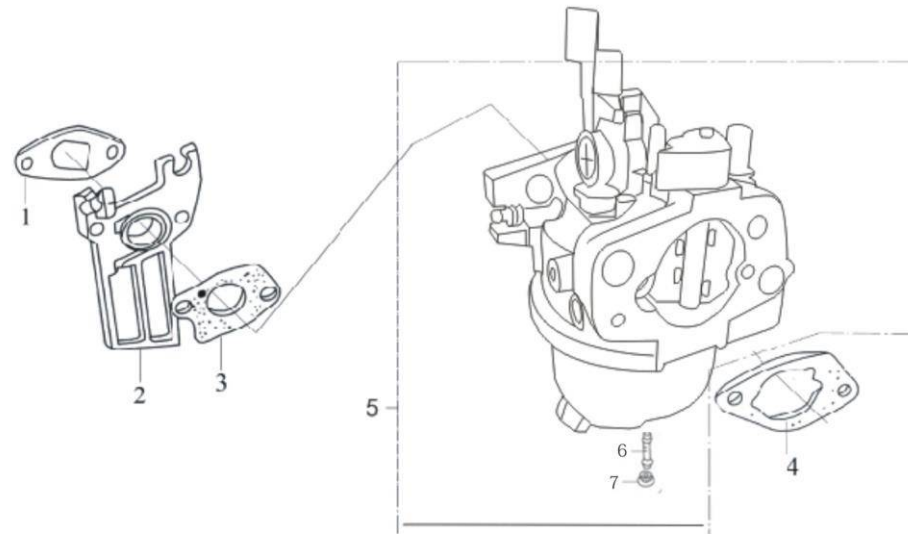
S/N	Part No.	Description	Quantity	Remark
1	13400-A0610-0001	Piston ring assy	1	
2	13313-A1710-0001	Piston pin circlip	2	
3	13311-A0610-0001	Piston	1	
4	13312-A1710-0001	Piston pin	1	
5	13120-A0610-0001	Shank	1	
6	13112-A0710-0001	Woodruff key	1	
7	13110-A0610-0005	Crankshaft assy	1	

## E-5 COMBINATION OF CAM SHAFT & VALVE ROCKER



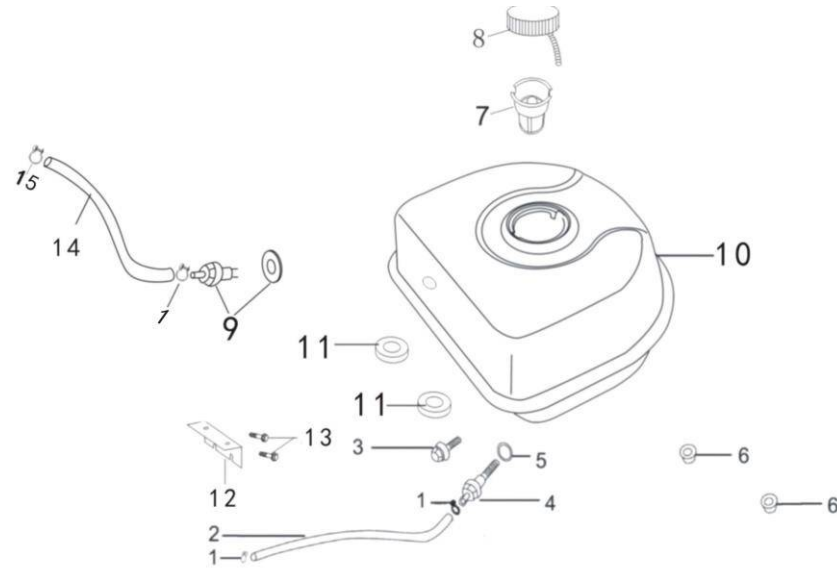
S/N	Part No.	Description	Quantity	Remark
1	14314-A0710-0001	Lock nut	2	
2	14312-A0710-0001	Sleeve	2	
3	14311-A0710-0001	Valve rocker	2	
4	14313-A0710-0001	Adjusting bolt for valve gap	2	
5	14310-A0710-0001	Valve rocker assy	2	
6	14221-A1710-0001	Pusher guide	1	
7	14210-A1710-0001	Pusher	1	
8	14315-A0710-0001	Tappet	2	
9	14100-A0610-0001	Camshaft Assy	1	
10	14412-A0610-0001	Exhaust valve	1	
11	14411-A0610-0001	Intake valve	1	
12	14414-A0710-0001	Valve spring	2	
13	14413-A0710-0001	Spring seat, intake valve	1	
14	14415-A0710-0001	Spring seat, exhaust valve	1	
15	14416-A0710-0001	Cap	1	

## E-6 CARBURETOR ASSY



S/N	Part No.		Description	Quantity	Remark
1	17219-A0710-0001		Inlet gasket	1	
2	16120-A0610-0001		Connecting block	1	
3	16113-A0710-0001		Carburetor gasket	1	
4	17113-A0610-0001		Air cleaner gasket	1	
5	16100-B4210-0001		Carburetor Assy	1	
6	16244-A0610-0001		Main nozzle	1	
7	16243-A0610-0001		Main je	1	

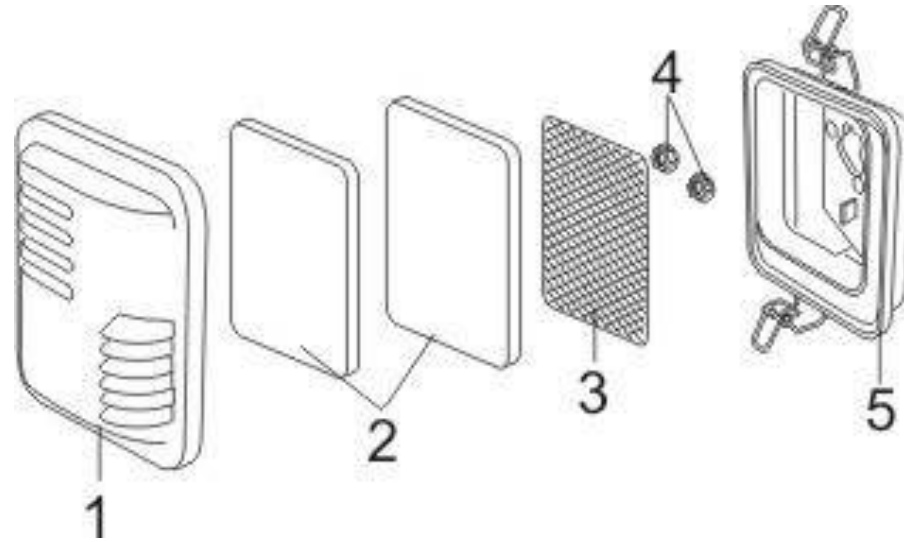
## E-7 FUEL TANK ASSY



S/N	Part No.	Description	Quantity	Remark
1	16622-A0710-0002	Pipe clamp	3	
2	16621-B9130-0007	Outlet pipe	1	
3	T151-0011	Bolt M6×25	1	
4	16630-A0710-0001	Connector	1	
5	16634-A0710-0001	Packing ring	1	
6	T354-0002	Nut M6	2	
7	16610-A0710-0003	Filter cup	1	
8	16400-A0410-0002	Fuel filler cap with packing ring	1	
9	16557-A0710-0001		1	
10	16510-A0611-0009	Fuel tank	1	
11	16911-A0721-0001	Fuel tank shock pad	2	
12	16541-A0611-0001	Board	1	
13	T151-0004	Bolt	2	
14	11513-A1015-0001		1	
15	16622-A0710-0003	Pipe clamp	1	

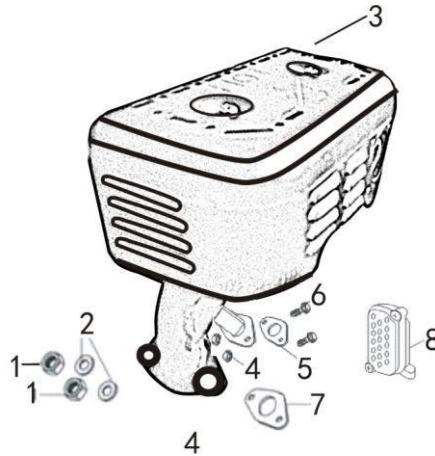


## E-8 AIR CLEANER ASSY



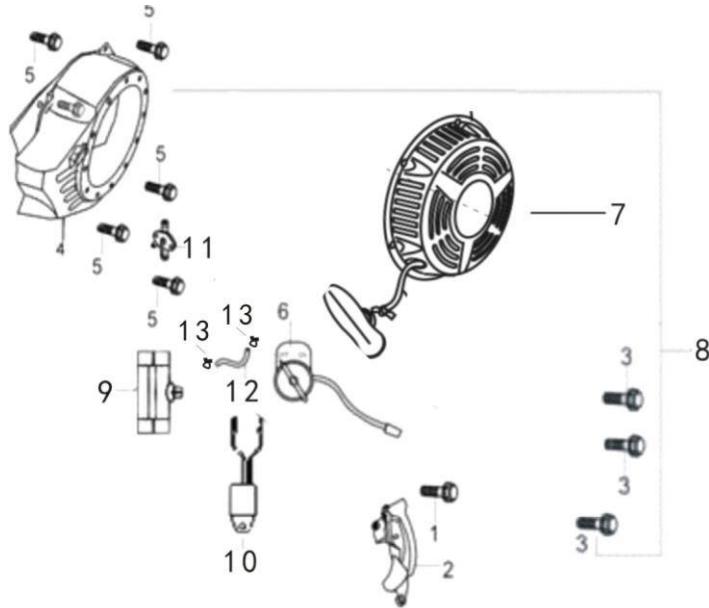
S/N	Part No		Description	Quantity	Remark
1	17112-A0611-0001		Air cleaner cover	1	
2	17120-A0611-0001		Filter element	1	
3	17120-A0610-0001		Steel wire net	1	
4	T354-0002		Nut M6	2	
5	17114-A0610-0002		Air cleaner base	1	

## E-9 MUFFLER



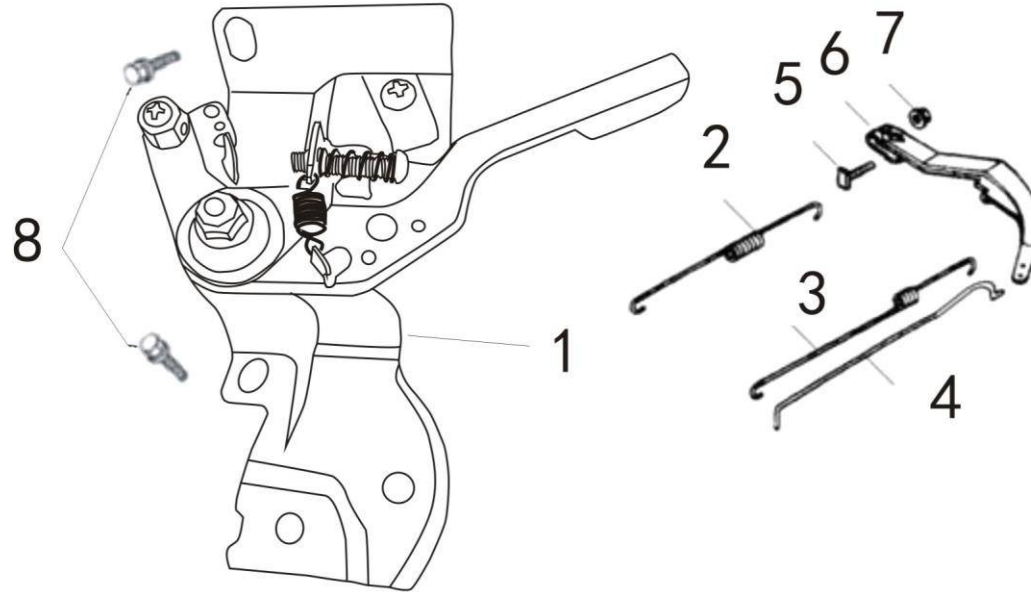
S/N	Part No	Description	Quantity	Remark
1	T310-0001	Nut M8	2	
2	T441-0001		2	
3	18000-A0721-0010	Muffler	1	
4	T314-0001	Bolt M6	2	
5	18172-A0710-0001		1	
6	T152-0033	Bolt M6×22	2	
7	18215-A0710-0001		1	
8	18171-A0710-0001		1	

## E-10 RECOIL STARTER



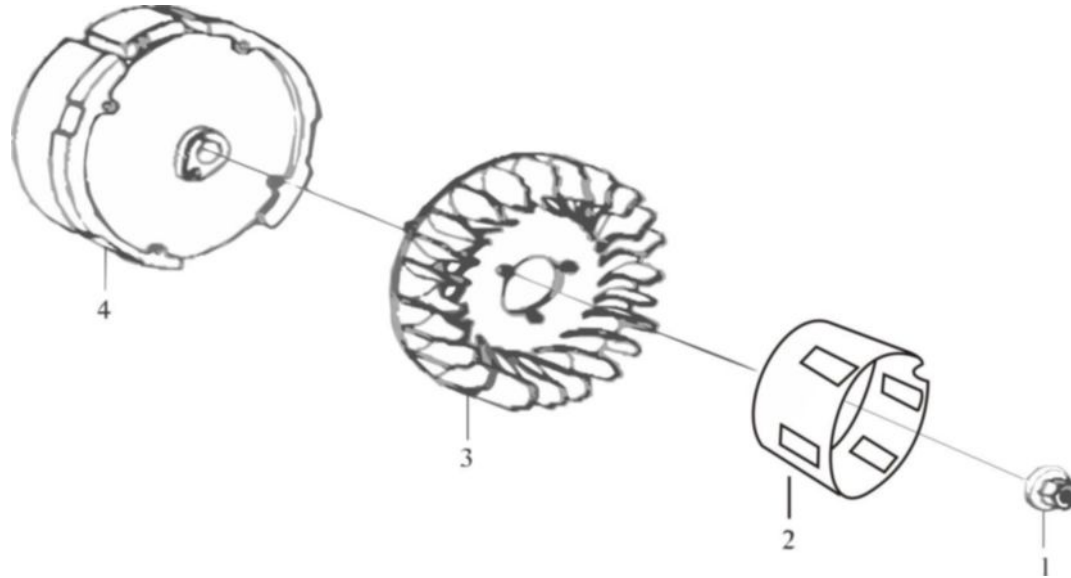
S/N	Part No	Description	Quantity	Remark
1	T151-0003	Bolt M6×22	1	
2	19300-A0610-0001	Crankcase side plate assy	1	
3	T210-0005	Bolt M5×8	3	
4	19211-A0611-0005	Fan hood assy	1	
5	T152-0019	Bolt M6×12	5	
6	27300-A0721-0001	Engine switch	1	
7	23100-A0610-0018	Recoil starter	1	
8	23100-A0611-0008	Recoil starter assy	1	
9	19313-A0710-0001	Plastic clip	1	
10	27500-A0710-0001	Diode	1	
11	16640-A0721-0001	Fuel cock	1	
12	16623-A0611-0004	Outlet pipe	1	
13	16622-A0710-0002		2	

## E-11 REGULATING CONTROL SYSTEM



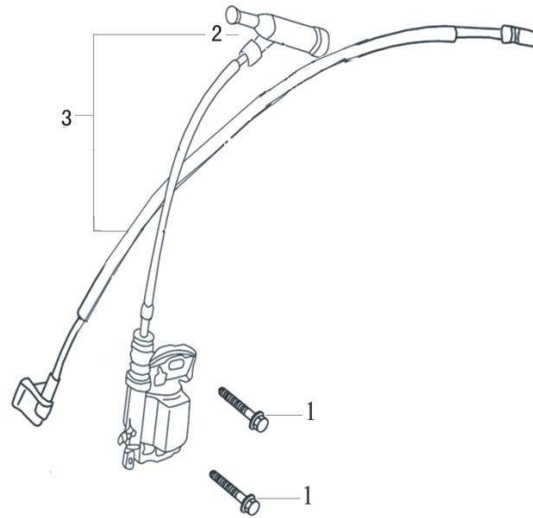
S/N	Part No	Description	Quantity	Remark
1	26200-A0610-0001	Regulating frame assy	1	
2	26117-A0610-0001	Back spring	1	
3	26118-A0610-0001	Fine regutaling spring	1	
4	26115-A0610-0001	Pulling rod	1	
5	26116-A0710-0001	Lock bolt	1	
6	26114-A0710-0001	Regulating arm	1	
7	T354-0002	Nut M6	1	
8	T152-0019	Bolt M6×12	2	

## E-12 FLYWHEEL



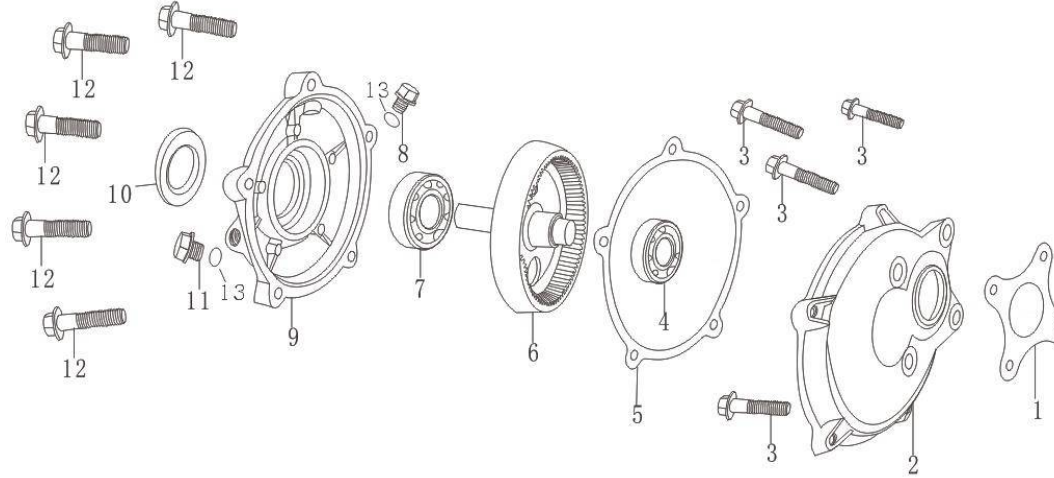
S/N	Part No	Description	Quantity	Remark
1	23317-A0710-0001	Nut M14×1.5	1	
2	23316-A0710-0001	Starting flange	1	
3	19111-A0610-0001	Flywheel fan	1	
4	23300-A0610-0001	Flywheel	1	

## E-13 IGNITION COIL



S/N	Part No	Description	Quantity	Remark
1	T151-0011	Screw M6×22	2	
2	27220-A0410-0001	Spark plug cap	1	
3	27200-A0710-0011	Ignition coil assy	1	

## E-14 REDUCER ASSY



Ref.No.	Part No	Description	Quantity	Remark
1	22115-A0718-0001		1	
2	22111-A0718-0001		1	
3	T151-0001		4	
4	T910-0007		1	
5	22114-A0718-0001		1	
6	22131-A0718-0001		1	
7	T910-0013		1	
8	22116-A0718-0001		1	
9	22112-A0718-0001		1	
10	11120-A0610-0001		1	
11	11115-A0810-0001		1	
12	T151-0008		5	
13	11116-A0810-0001	Washer	2	