

**LIFAN**  
**POWER**  
**USA**

WWW.LIFANPOWERUSA.COM

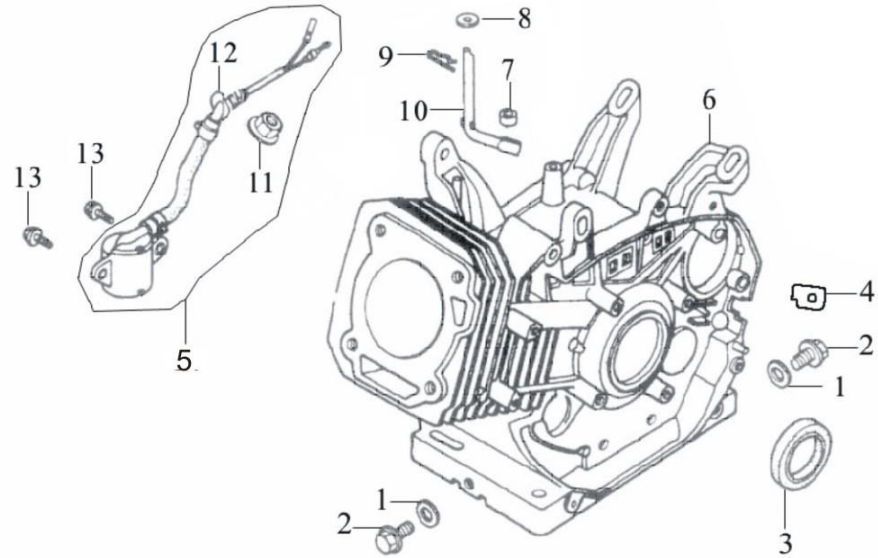
## **LF1 90-FB ENGINE**

**EXPLODED VIEWS & PARTS LISTS**



**2205 Industrial Park Road Van Buren, AR 72956**

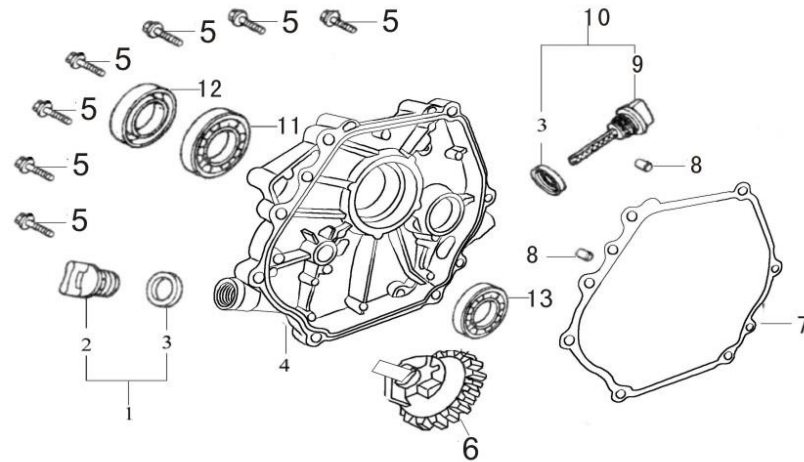
**E-1 CRANKCASE ASSY**



S/N	Part No.		Description	Quantity	Remark
-----	----------	--	-------------	----------	--------

1	11116-A0810-0001		Washer	2	
2	11115-A0810-0001		Drain plug	2	
3	11120-A1010-0001		Oil seal, crankshaft	1	
4	11117-A0810-0001		Seal	1	
5	27400-A0810-0002		Oil sensor	1	
6	11110-A1214-0005		Crankcase	1	
7	11130-A1010-0001		Oil seal, regulating sway bar	1	
8	26113-A0810-0001		Washer	2	
9	26112-A0810-0001		Split pin	1	
10	26111-A1010-0001		Regulating sway bar	1	
11	T312-0001		Nut M10	1	
12	11119-A1310-0001		O-ring	1	
13	T151-0008		Bolt M6×14	2	

## E-2 CRANKCASE COVER ASSY

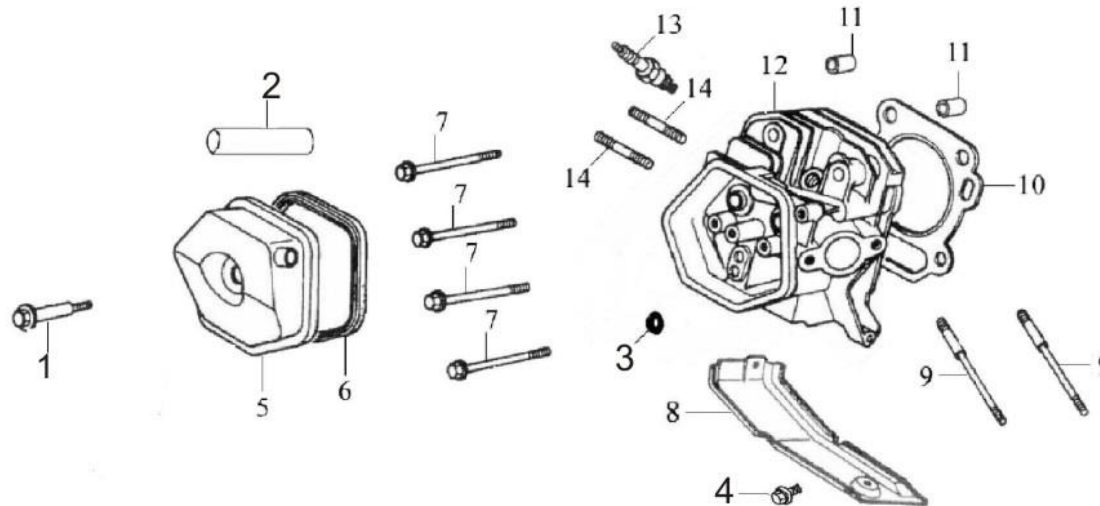


S/N	Part No.		Description	Quantity	Remark
-----	----------	--	-------------	----------	--------

1	15610-A0815-0001		Oil plug with Seal	1	
2	15611-A0815-0001		Oil plug	1	
3	15512-A07Y3-0001		Seal	2	
4	11211-A1010-0006		Crankcase cover	1	
5	T151-0013		Bolt M8 × 40	7	
6	25100-A1210-0001		Driven gear, regulator assy	1	
7	11114-A1010-0001		Gasket, crankcase	1	
8	11113-A0810-0001		Set pin $\Phi 8 \times 12$	2	
9	15511-A0815-0001		Dipstick	1	
10	15510-A0815-0001		Dipstick with seal	1	
11	T910-0002		Bearing 6206	1	
12	11120-A1010-0001		Oil seal, crankshaft	1	
13	T910-0005		Bearing 6202	1	

--2--

### E-3 CYLINDER HEAD & CYLINDER HEAD COVER ASSY

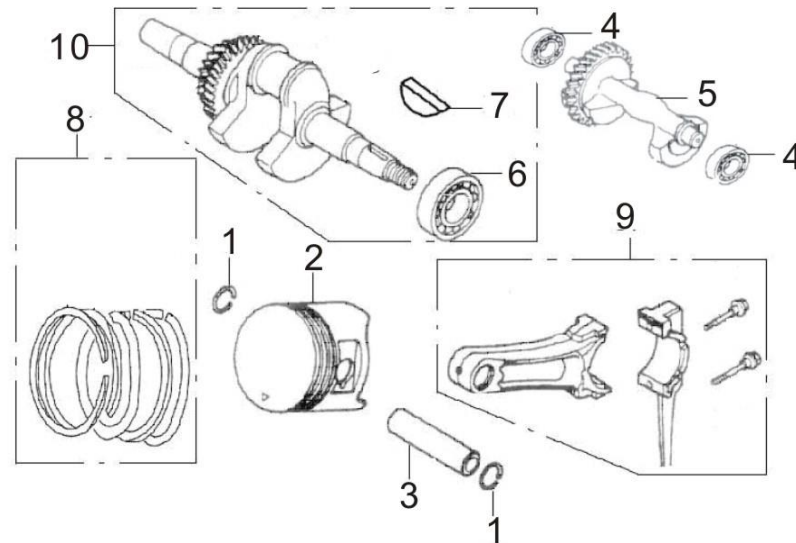


S/N	Part No.		Description	Quantity	Remark
-----	----------	--	-------------	----------	--------

1	12220-A0810-0001		Bolt	1	
2	11513-A1010-0002		Air duck	1	
3	14420-A0810-0001		Seal	1	
4	T152-0019		Bolt M6×12	1	
5	12200-A0810-0002		Cylinder head cover Assy	1	
6	12212-A0810-0001		Gasket, cylinder head cover	1	
7	12118-A0810-0001		Bolt	4	
8	19121-A1010-0001		Lead wind cover	1	
9	17218-A0810-0001		Stud	2	
10	12120-A0910-0001		Gasket, cylinder head	1	
11	12117-A0810-0001		Set pin	2	
12	12100-A1210-0002		Cylinder head Assy	1	
13	27100-A0710-0001		Spark plug	1	
14	18214-A0810-0001		Stud	2	

--3--

### E-4 CRANKSHAFT, PISTON, CONNECTING & BALANCING SHAFT

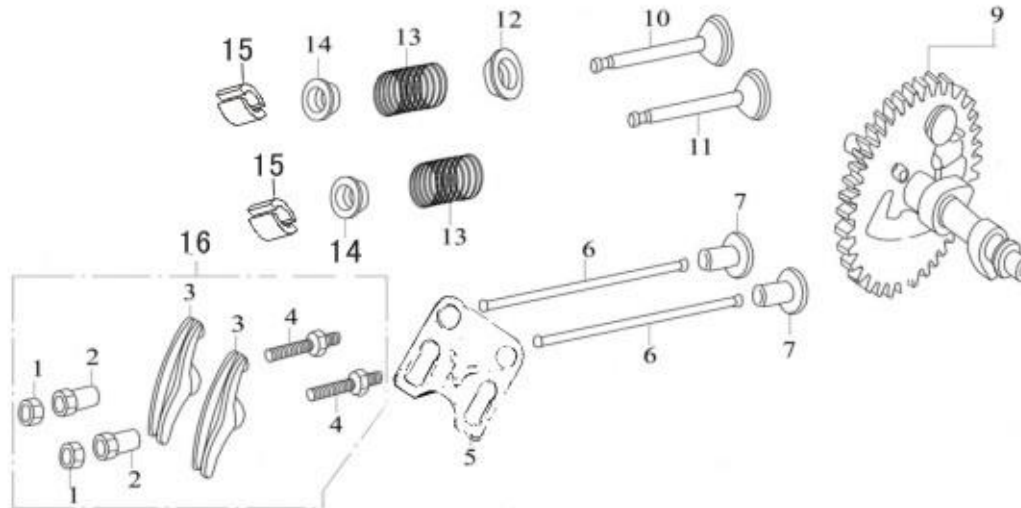


S/N	Part No.		Description	Quantity	Remark
-----	----------	--	-------------	----------	--------

1	13313-A1010-0001		Piston pin circlip	2	
2	13311-A1210-0004		Piston	1	
3	13312-A1010-0001		Piston pin	1	
4	T910-0005		Bearing 6202	2	
5	13116-A1210-0001		Balancing shaft	1	
6	T910-0003		Bearing 6207	1	
7	13112-A0710-0001		Wood ruff key	1	
8	13400-A1210-0003		Piston ring set	1	
9	13120-A1210-0001		Connecting rod assy	1	
10	13110-A1210-0001		Crankshaft assy	1	

--5--

### E-5 COMBINATION OF CAM SHAFT & VALVE ROCKER

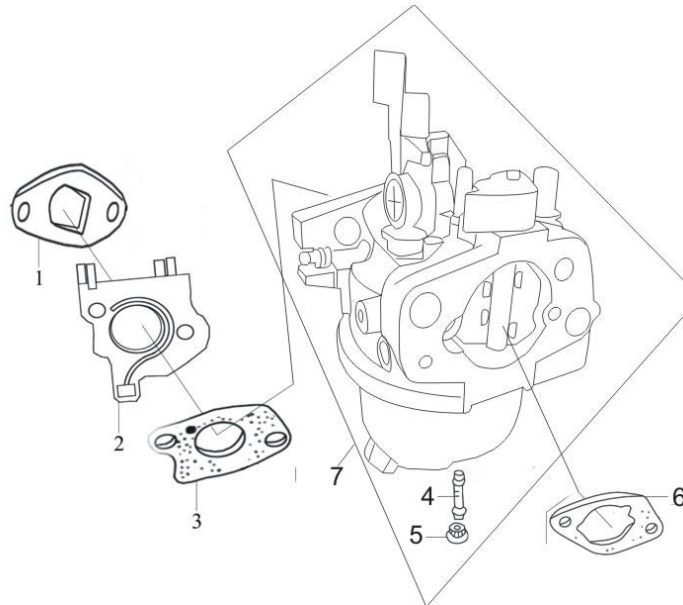


S/N	Part No.		Description	Quantity	Remark
-----	----------	--	-------------	----------	--------

1	14314-A0710-0001		Lock nut	2	
2	14312-A0710-0001		Sleeve	2	
3	14311-A0810-0001		Valve rocker	2	
4	14313-A0710-0001		Adjusting bolt for valve gap	2	
5	14220-A0810-0002		Pusher guide	1	
6	14210-A1010-0001		Pusher	2	
7	14315-A0810-0001		Tappet	2	
9	14100-A1210-0002		Camshaft assy	1	
10	14412-A1210-0001		Exhaust valve	1	
11	14411-A1010-0003		Intake valve	1	
12	14417-A0810-0001		Spring retainer, exhaust valve	1	
13	14414-A0810-0001		Valve spring	2	
14	14413-A1010-0001		Spring seat, exhaust valve	2	
15	14418-A1010-0001		Valve lock clamp	4	
16	14310-A0810-0001		Valve rocker assy	1	

--6--

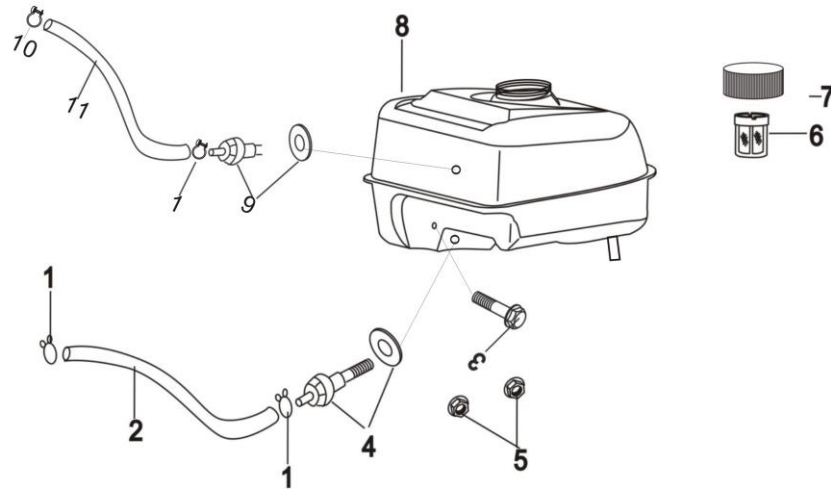
## E-6 CARBURETOR ASSY



S/N	Part No.	Description	Quantity	Remark
1	17219-A1010-0001	Inlet gasket	1	
2	16120-A1110-0001	Connecting block	1	
3	16113-A1110-0001	Carburetor gasket	1	
4	16244-A1210-0001	Main nozzle	1	
5	16243-A1210-0001	Main jet	1	
6	17113-A0810-0001	Air cleaner gasket	1	
7	16100-A1210-0001	Carburetor Assy	1	

--7--

### E-7 FUEL TANK ASSY



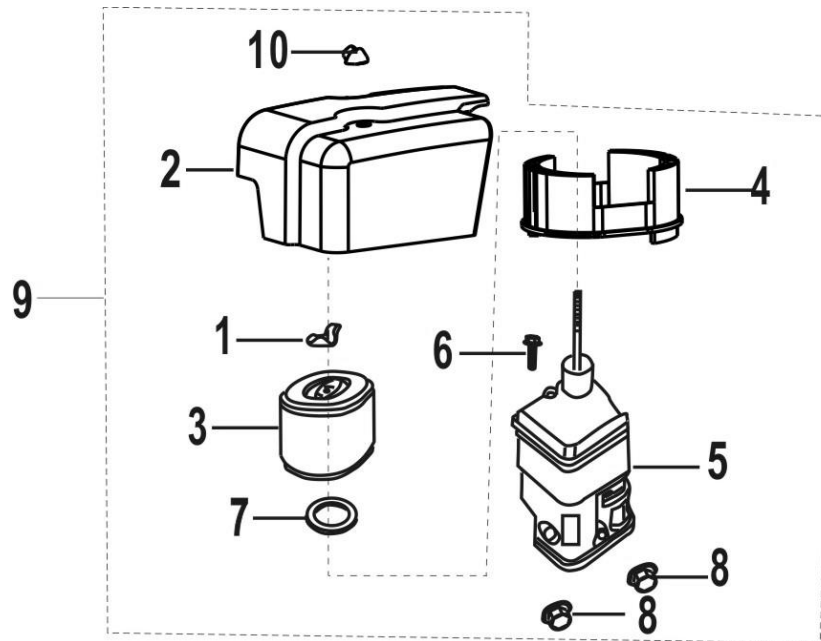
S/N	Part No.	Description	Quantity	Remark
-----	----------	-------------	----------	--------



1	16622-A0710-0003			3	
2	16621-A1015-0004		Outlet pipe	1	
3	T151-0006		Bolt M8 × 25	2	
4	16630-A0710-0001		Connector	1	
5	T314-0001		Nut M6	2	
6	16610-A0710-0003		Filter cup	1	
7	16400-A0410-0002		Fuel filler cap with packing ring	1	
8	16510-A1012-0035		Fuel tank	1	
9	16557-A0710-0001			1	
10	16622-A0710-0003			1	
11	11513-A1010-0002			1	

--8--

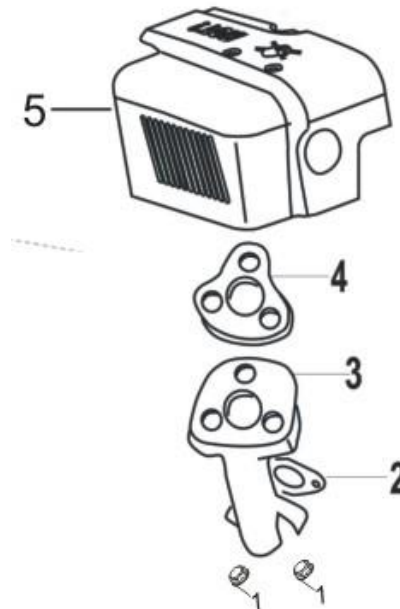
### E-8 AIR CLEANER ASSY



S/N	Part No	Description	Quantity	Remark
1	17111-A0710-0001	Wing nut	1	
2	17112-A1012-0001	Air cleaner cover	1	
3	17124-A1010-0001	Filter element	1	
4	17114-A1210-0001	Air cleaner aeration cover	1	
5	17200-A1010-0002	Air cleaner housing	1	
6	T152-0011	Bolt M6×28	1	
7	17121-A0810-0001	Washer	1	
8	T314-0001	Nut M6	2	
9	17100-A1212-0005	Air cleaner assy	1	
10	17111-A0712-0001	Air cleaner cover nut	1	

--9--

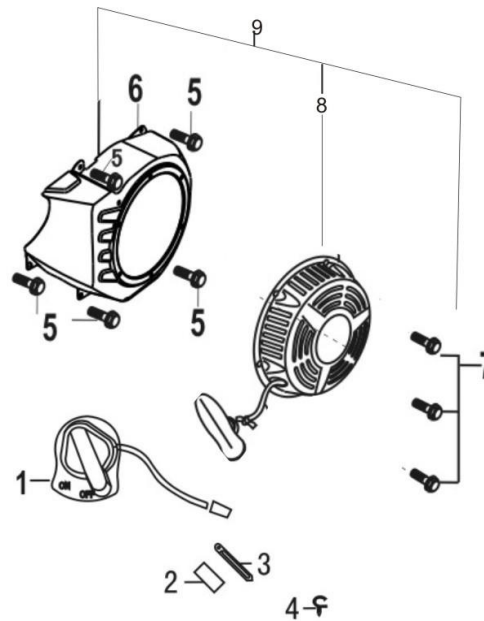
## E-9 MUFFLER



S/N	Part No	Description	Quantity	Remark
1	T354-0001	Nut M8	5	
2	18215-A0810-0001	Exhaust pipe gasket	1	
3	18117-A0810-0003	Exhaust pipe	1	
4	18217-A0810-0001	Muffler gasket	1	
5	18000-A1012-0006	Muffler assy	1	

--10--

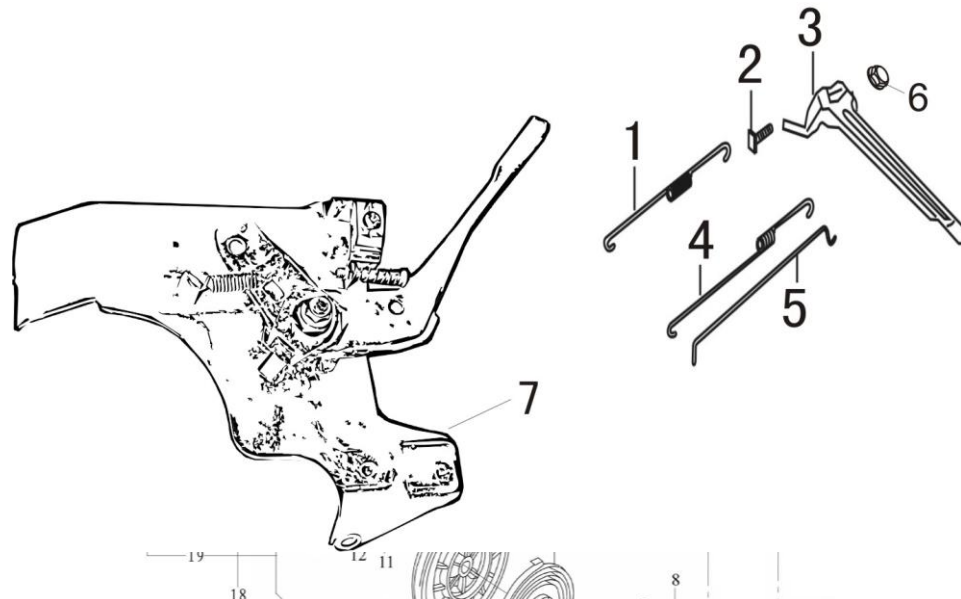
### E-10 RECOIL STARTER



S/N	Part No	Description	Quantity	Remark
1	27300-A0712-0001	Engine switch	1	
2	19314-A0810-0001	Wire grommet	1	
3	19316-A0810-0002	Clip	1	
4	16628-A0810-0001	Plastic clip	1	
5	T152-0019	Bolt M6×12	5	
6	19211-A1010-0041	Fan hood assy	1	
7	T152-0036	Bolt M6×8	3	
8	23200-A1011-0004	Recoil starter	1	
9	23100-A1012-0020	Recoil starter assy	1	

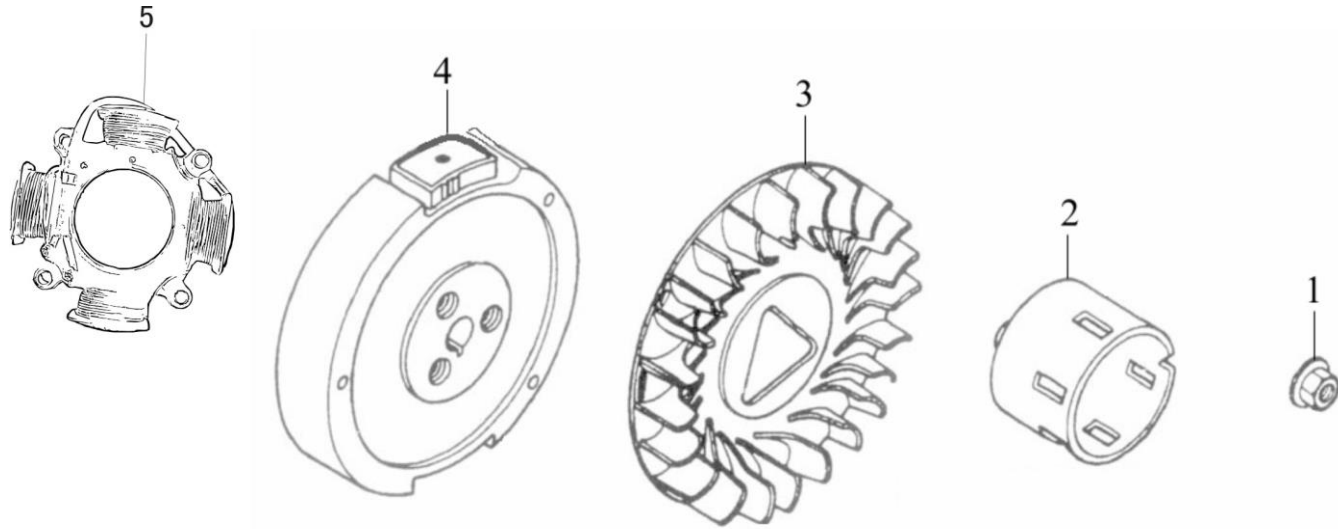
--11--

### E-11 REGULATING CONTROL SYSTEM



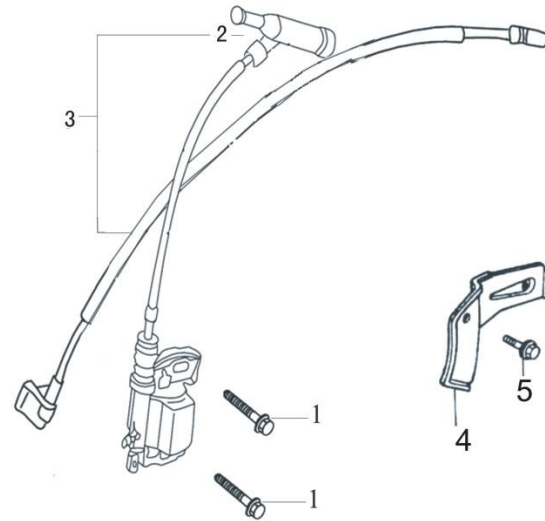
S/N	Part No		Description	Quantity	Remark
1	26117-A1010-0001		Back spring	1	
2	26116-A0710-0001		Lock bolt	1	
3	26114-A1010-0001		Regulating arm	1	
4	26118-A1010-0001		Fine regutaling spring	1	
5	26115-A1010-0001		Pulling rod	1	
6	T311-0002		Nut M6	1	
7	26200-A1010-0001		Regulating frame assy	1	

## E-12 FLYWHEEL



S/N	Part No	Description	Quantity	Remark
1	23317-A0810-0002	Nut M16×1.5	1	
2	23316-A1010-0002	Starting flange	1	
3	19111-A1210-0001	Flywheel fan	1	
4	23300-A1114-0001	Flywheel	1	
5	24130-A1014-0001		1	

## E-13 IGNITION COIL



S/N	Part No	Description	Quantity	Remark
1	T152-0034	Screw M6×25	2	
2	27220-A1010-0001	Spark plug cap	1	
3	27200-A1110-0001	Ignition coil assy	1	
4	24145-A1014-0002	Clamper, cord	1	
5	T152-0019	Bolt, M6×12	1	