

**LIFAN  
POWER  
USA**

WWW.LIFANPOWERUSA.COM

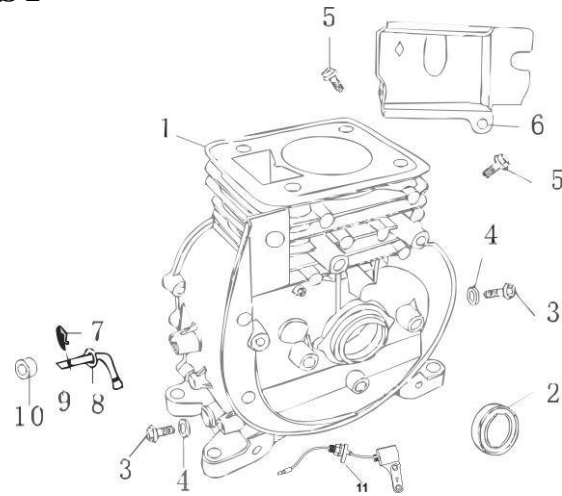
# LF1.5WP (-CA) WATER PUMP

## EXPLODED VIEWS & PARTS LISTS



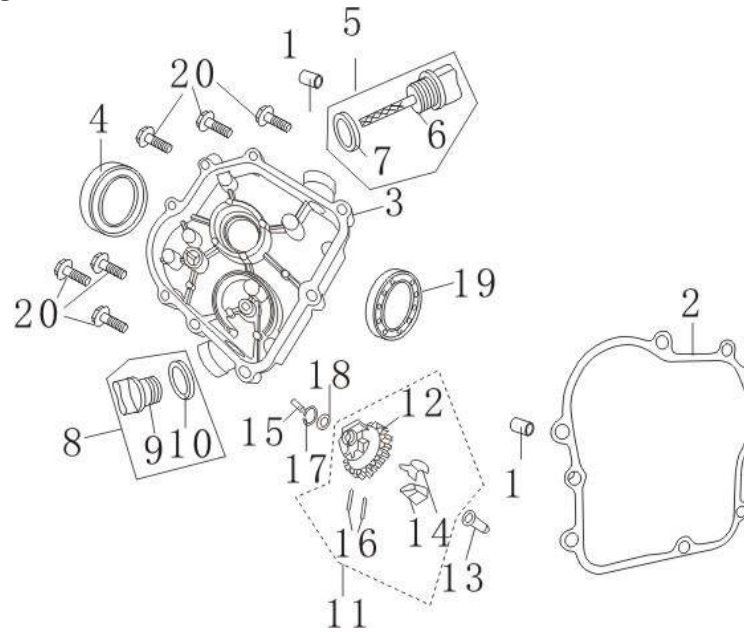
2205 Industrial Park Road Van Buren, AR 72956  
(866) 471-7464 www.lifanpowerusa.com

## E-01 CRANKCASE ASSY



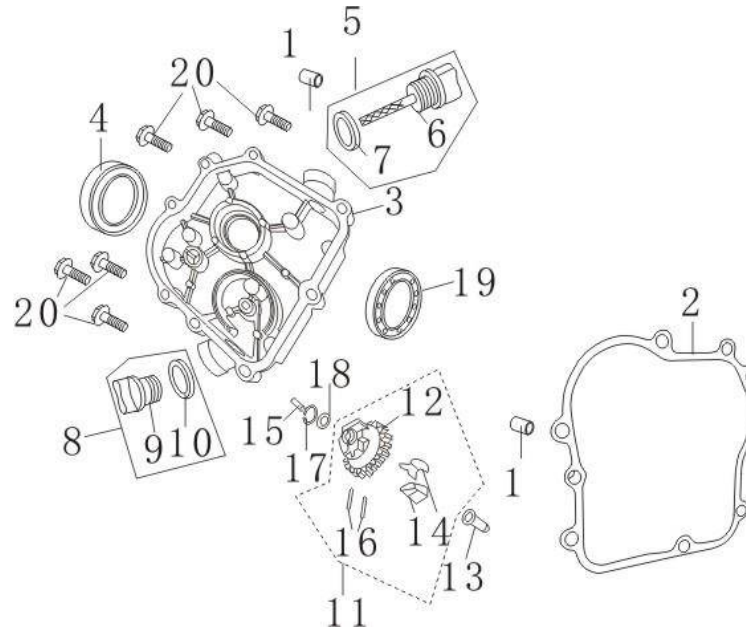
S/N	Part No.	Description	Quantity	Remark
1	11100	Crankcase	1	
2	13180/152F	Oil seal(17×30×6), crankshaft	1	
3	11212/168F	Drain plug	2	
4	11213/168F	Washer	2	
5	GB5787-86	Bolt M6×12	2	
6	19721	Flow guard	1	
7	26321/152F	Keeper, sway bar	1	
8	26329/152F	Washer, sway bar	1	
9	26311	Sway bar	1	
10	26327/152F	Oil seal, sway bar	1	
11	62672	Oil sensor	1	

## E-2 CRANKCASE COVER ASSY



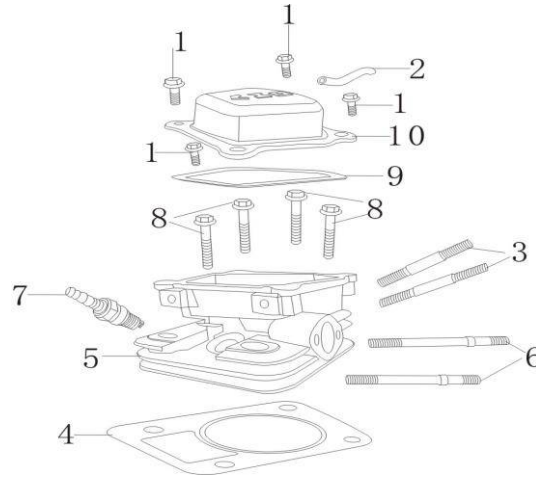
S/N	Part No.	Description	Quantity	Remark
1	11118/168F	Set pin $\phi 8 \times 14$	2	
2	11119	Gasket, crankcase	1	
3	11311	Crankcase cover	1	
4	13180/152F	Oil seal(17×30×6), crankshaft	1	
5	15610/152F	Dipstick sub-assy	1	
6	15611/152F	Dipstick	1	
7	15612/152F	Seal, dipstick	1	
8	15650/152F	Oil plug sub-assy	1	
9	15651/152F	Oil plug	1	
10	15652/152F	Seal, oil plug	1	

## E-2 CRANKCASE COVER ASSY



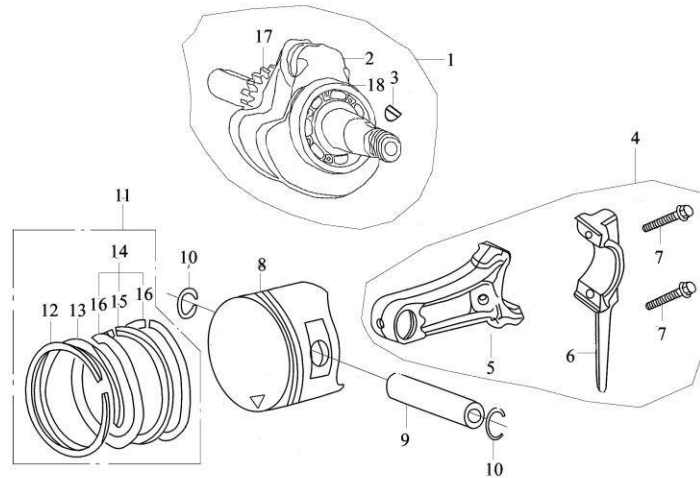
S/N	Part No.	Description	Quantity	Remark
11	25120/152F	Driven gear sub-assy, governor	1	
12	25121/152F	Driven gear, governor	1	
13	25131/152F	Sliding sleeve	1	
14	25141/152F	Flyweight	2	
15	25151/152F	Governing shaft	1	
16	25163/152F	Pin, flyweight	2	
17	25164/152F	Snap ring	1	
18	25165/168F	Washer, driven gear	1	
19	GB276-94	Bearing 6203	1	
20	GB5787-86	Bolt M6×28	6	

### E-3 CYLINDER HEAD & CYLINDER HEAD COVER ASSY



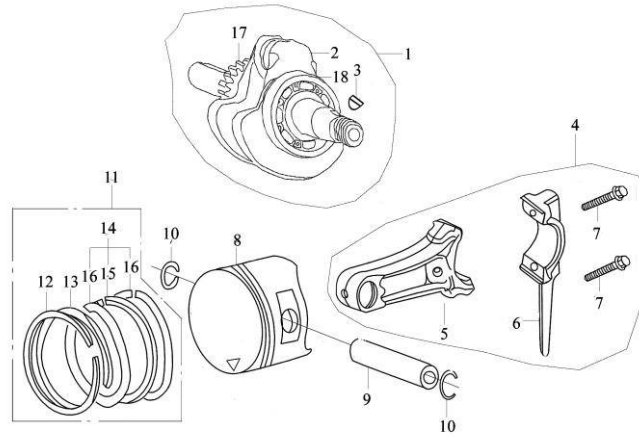
S/N	Part No.	Description	Quantity	Remark
1	GB5787-86	Bolt M6×12	4	
2	20651	Air duck	1	
3	12252	Stud M5×90	2	
4	12221	Gasket, cylinder head	1	
5	12210	Cylinder head Assy	1	
6	12253/168F	Stud M6×90	2	
7	34200/152F	Spark plug 255	1	
8	12256	Bolt	4	
9	12312	Gasket, cylinder head cover	1	
10	12310	Cylinder head cover Assy	1	

## E-4 CRANKSHAFT, PISTON & CONNECTING ROD



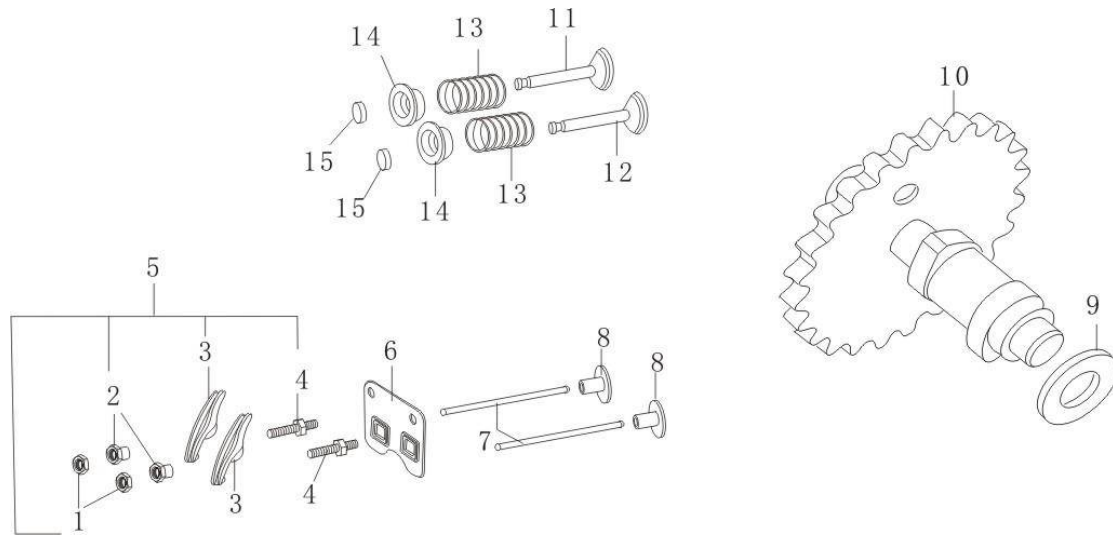
S/N	Part No.	Description	Quantity	Remark
1	13110	Crankshaft sub-assy	1	
2	13111	Crankshaft	1	
3	13118/152F	Woodruff key	1	
4	13130/152F	Connecting rod	1	
5	13131/152F	Shank	1	
6	13132/152F	Cap connecting rod	1	
7	13133/152F	Bolt	2	
8	13211/152F	Piston	1	
9	13221/152F	Piston pin	1	
10	13222/152F	Circlip, piston pin	2	
11	13300/152F	Piston ring set	1	
12	13311/152F	Piston ring ( I )	1	
13	13312/152F	Piston ring ( II )	1	

## E-4 CRANKSHAFT, PISTON & CONNECTING ROD



S/N	Part No.	Description	Quantity	Remark
14	13320/152F	Oil ring, 3-piece	1	
15	13321/152F	Expander	1	
16	13322/152F	Side rail	2	
17	14211/152F	Timing driving gear	1	
18	GB276-94	Bearing 6203	1	

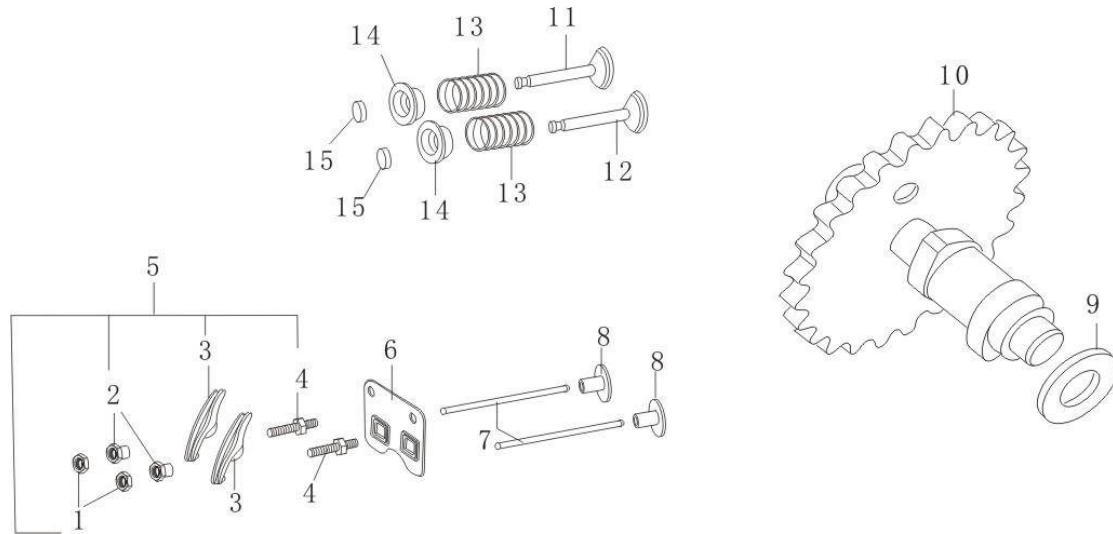
## E-5 COMBINATION OF CAM SHAFT & VALVE ROCKER



S/N	Part No.	Description	Quantity	Remark
1	14416/168F	Lock nut	2	
2	14413/168F	Sleeve	2	
3	14411	Valve rocker	2	
4	14415/168F	Adjusting bolt for valve gap	2	
5	14410	Valve rocker assy	2	
6	14260	Pusher guide	1	
7	14250	Pusher	2	
8	14455	Tappet	2	
9	14114/152F	Washer, camshaft	1	
10	14111/152F	Camshaft	1	
11	14721	Exhaust valve	1	
12	14711	Intake valve	1	

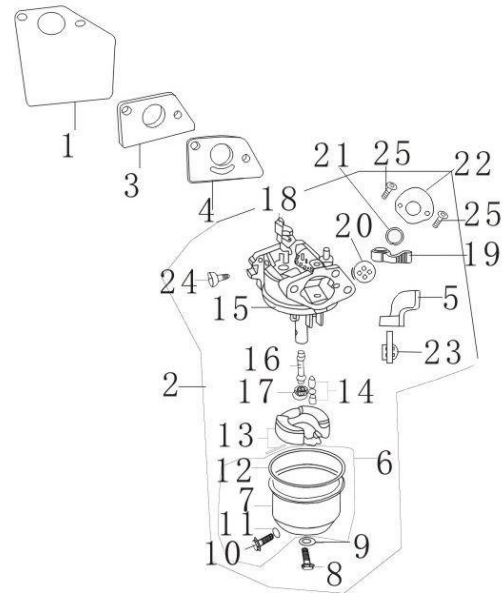


## E-5 COMBINATION OF CAM SHAFT & VALVE ROCKER



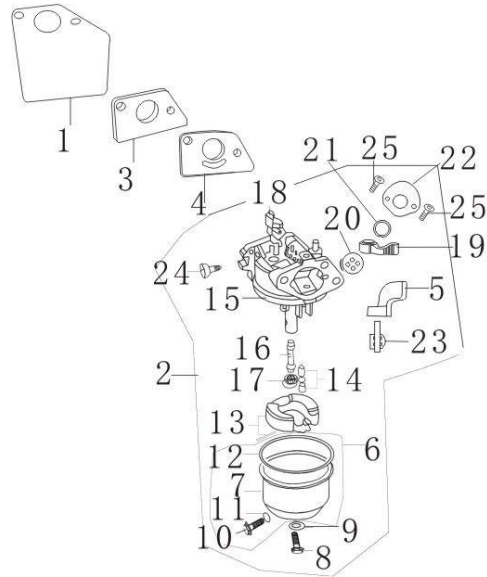
S/N	Part No.	Description	Quantity	Remark
13	14755	Valve spring	2	
14	14751/152F	Spring seat, valve	2	
15	14758/152F	Cap	2	

## E-6 CARBURETOR ASSY



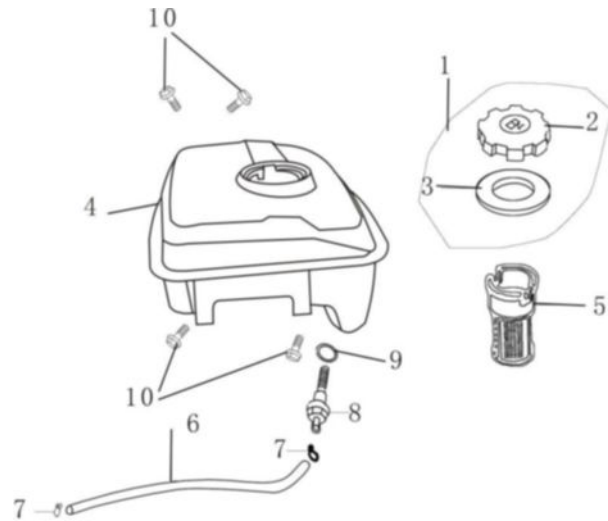
S/N	Part No.	Description	Quantity	Remark
1	12254	Gasket, intake port	1	
2	16100/152F	Carburetor assy	1	
3	16141	Connecting block	1	
4	16142	Gasket, carburetor	1	
5	16148/152F	Choke lever	1	
6	16210/152F	Float chamber sub-assy	1	
7	16211/152F	Float chamber	1	
8	16213/152F	Screw	1	
9	16214/152F	Seal, screw	1	
10	16215/152F	Drain screw, float chamber	1	
11	16216/152F	Washer	1	
12	16219/152F	Gasket, float chamber	1	
13	16230/152F	Float sub-assy	1	
14	16240/152F	Needle valve	1	

## E-6 CARBURETOR ASSY



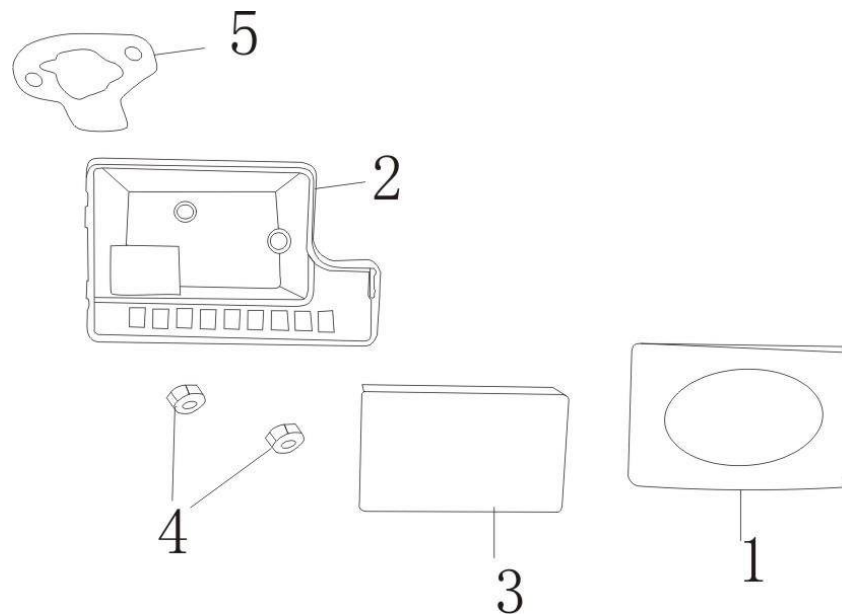
S/N	Part No.	Description	Quantity	Remark
15	16250/152F	Mixture chamber body	1	
16	16251/152F	Main nozzle	1	
17	16254/152F	Main jet	1	
18	16280/152F	Throttle unit	1	
19	16311/152F	Throttle lever	1	
20	16312/152F	Airproof washer	1	
21	16313/152F	Washer	1	
22	16314/152F	Cover	1	
23	16330/152F	Choke unit	1	
24	16421/152F	Idle adjusting screw	1	
25	GB5789-86	Screw M4×6	2	

## E-7 FUEL TANK ASSY



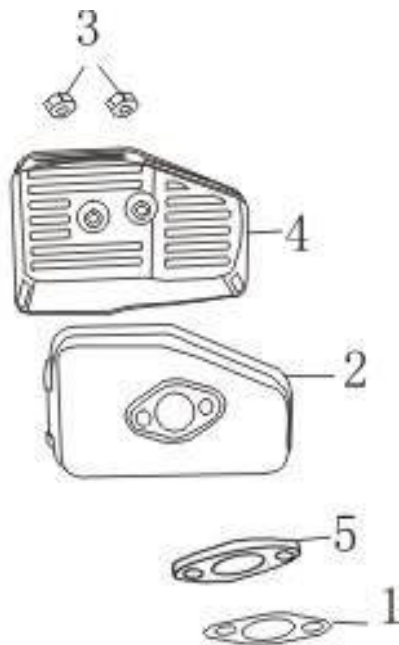
S/N	Part No.	Description	Quantity	Remark
1	16500/168F	Fuel filler cap sub-assy	1	
2	16510/168F	Fuel filler cap	1	
3	16521/168F	Packing ring	1	
4	16610	Fuel tank	1	
5	16916/168F	Filter cup	1	
6	16931/152F	Outlet pipe	1	
7	16937/168F	Pipe clamp	2	
8	16950/168F	Outlet nipple	1	
9	16961/168F	Seal ring, outlet nipple	1	
10	GB5787-86	Bolt M6×12	4	

# E-8 AIR CLEANER ASSY



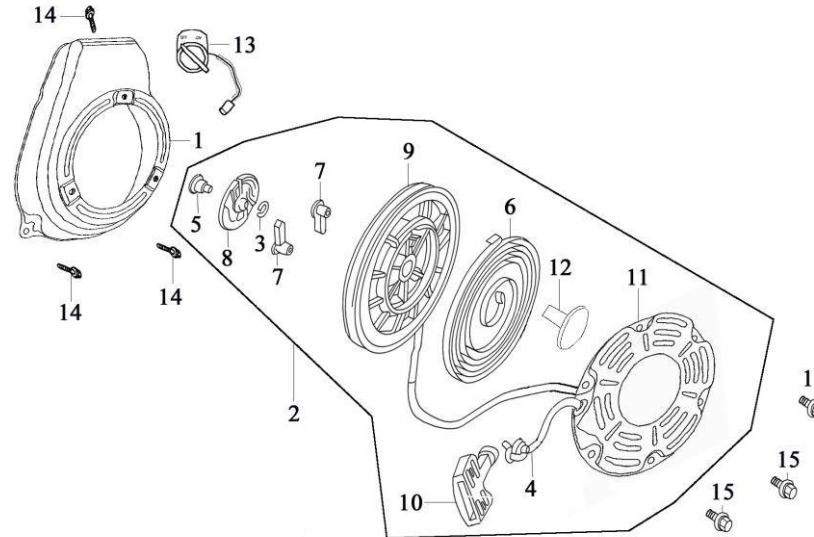
S/N	Part No.	Description	Quantity	Remark
1	17111	Cover, air cleaner	1	
2	17131	Housing, air cleaner	1	
3	17133	Foam, air cleaner	1	
4	GB6177-86	Nut M5	2	
5	17331/152F	Gasket, air cleaner	1	

## E-9 MUFFLER



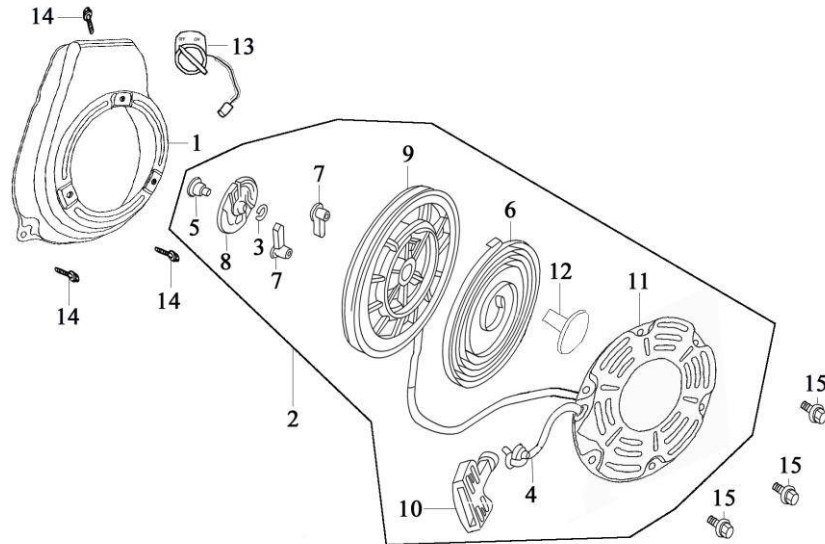
S/N	Part No.	Description	Quantity	Remark
1	12255	Gasket, exhaust port	1	
2	18300	Muffler	1	
3	GB6177-86	Nut M6	2	
4	18620	Muffler hood	1	
5	18722	Muffler block	1	

## E-10 RECOIL STARTER



S/N	Part No.	Description	Quantity	Remark
1	19710/152F	Fan hood sub-assy	1	
2	27300/152F	Recoil starter	1	
3	27311/152F	Friction spring	1	
4	27313/152F	Rope	1	
5	27315/152F	Shoulder screw	1	
6	27319/152F	Spiral spring	1	
7	27331/152F	Ratchet	2	
8	27341/152F	Lid, spring	1	
9	27351/152F	Spool, starter	1	
10	27361/152F	Grip, starter	1	
11	27381/152F	Casing	1	
12	27384/152F	Spring seat	1	

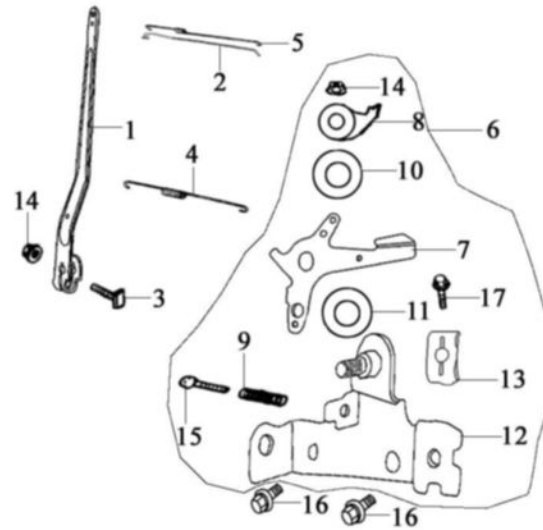
# E-10 RECOIL STARTER



S/N	Part No.	Description	Quantity	Remark
13	35410/152F	Engine switch	1	
14	GB5787-86	Bolt M6×12	3	
15	GB5787-86	Bolt M6×8	3	

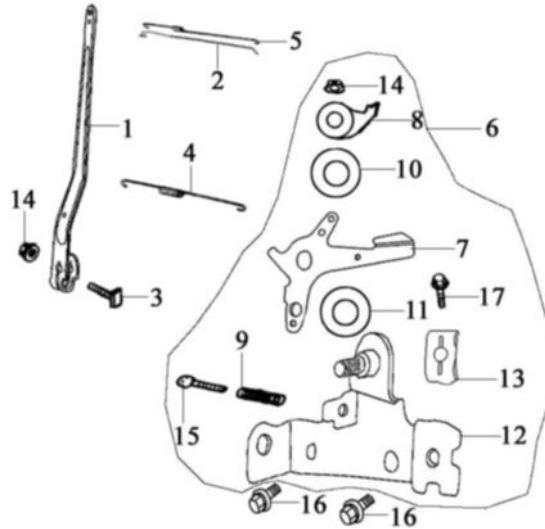


## E-11 GOVERNING CONTROL SYSTEM



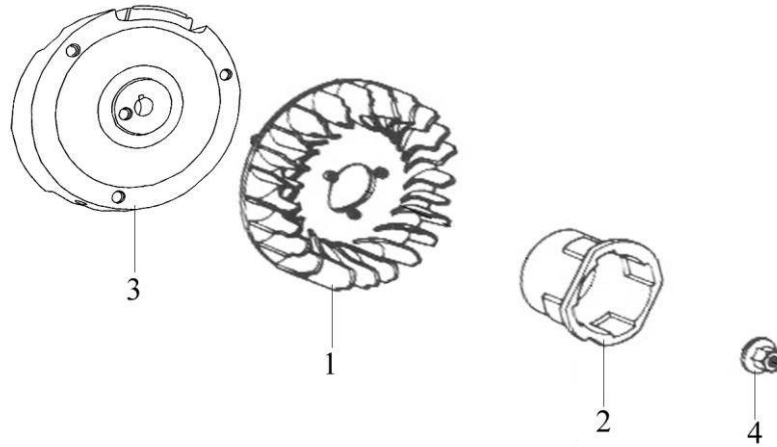
S/N	Part No.	Description	Quantity	Remark
1	26331	Governor arm	1	
2	26341	Pull-rod, governor	1	
3	26362/152F	Lock bolt	1	
4	26363/152F	Return spring	1	
5	26364	Assistant spring, governor	1	
6	26410/152F	Mount, governor	1	
7	26412/152F	Handle	1	
8	26414/152F	Positioning plate	1	
9	26415/152F	Spring, governor	1	
10	26418/152F	Wave washer	1	
11	26419/152F	Washer	1	

## E-11 GROVERNING CONTROL SYSTEM



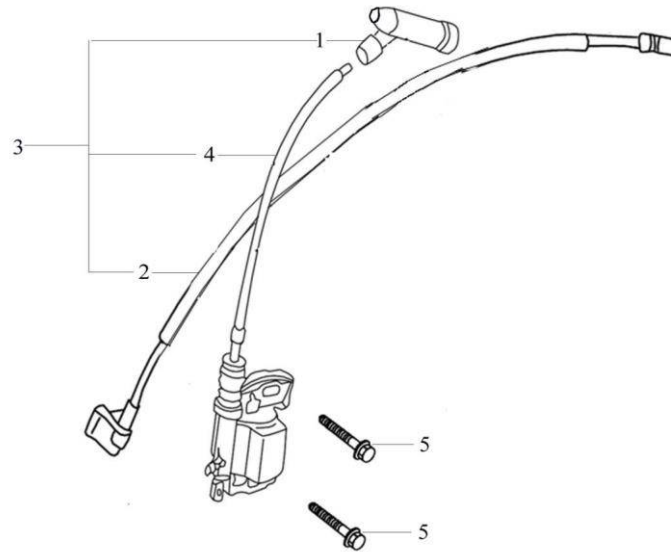
S/N	Part No.	Description	Quantity	Remark
12	26420/152F	Supporting plate unit	1	
13	26422/152F	Pressure plate	1	
14	GB6177-86	Nut M6	1	
15	GB818-85-H	Bolt M5×25	1	
16	GB5787-86	Bolt M6×12	2	
17	GB818-85-H	Bolt M5×16	1	

## E-12 FLYWHEEL



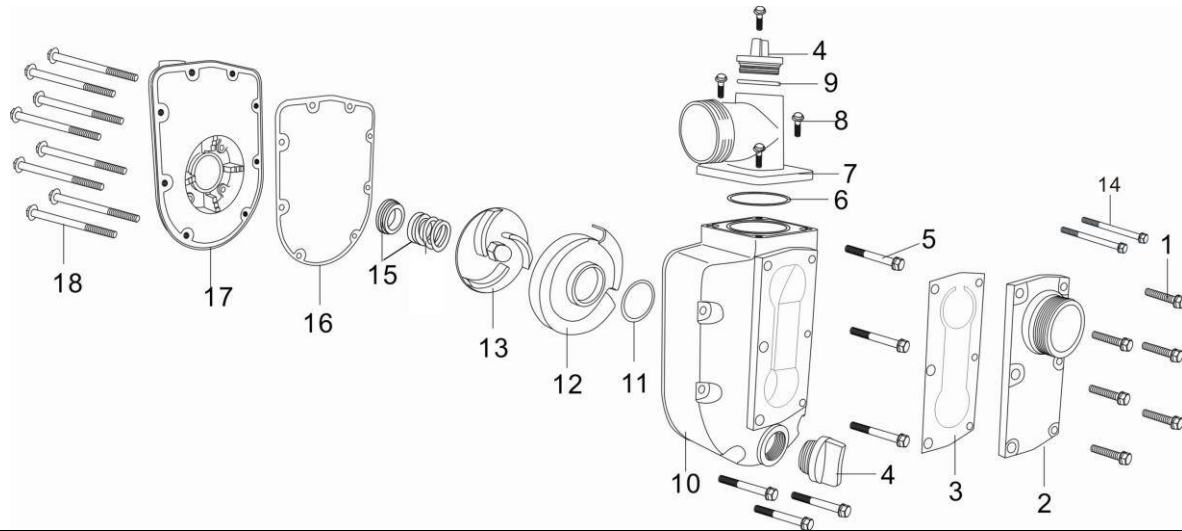
S/N	Part No.	Description	Quantity	Remark
1	19722/152F	Fan, flywheel	1	
2	27371/152F	Starting flange	1	
3	27500	Flywheel	1	
4	27515/152F	Nut M12×1.25	1	

## E-13 IGNITION COIL



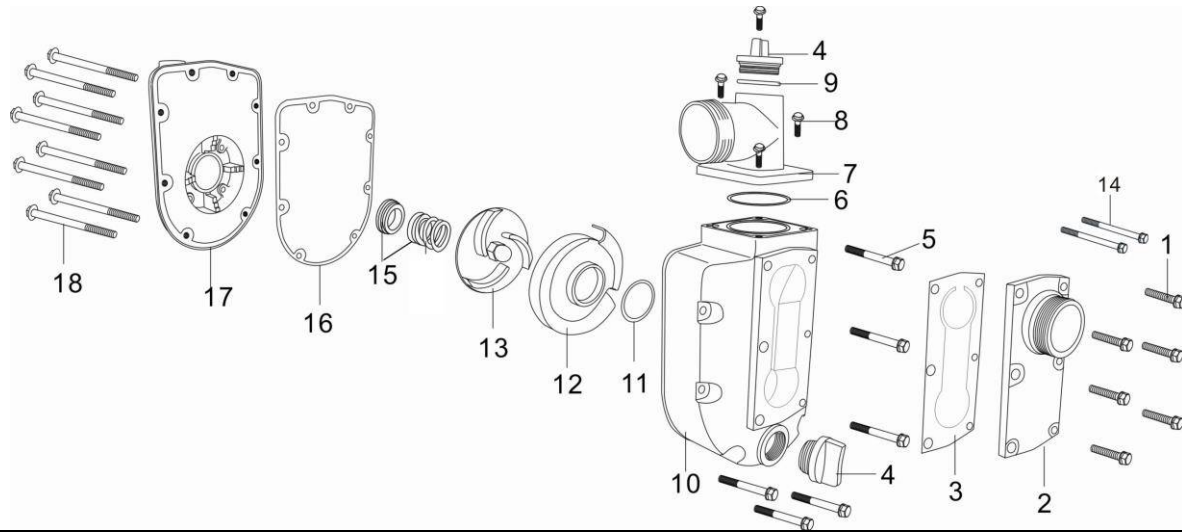
S/N	Part No.	Description	Quantity	Remark
1	34310/152F	Cap, spark plug	1	
2	34410/152F	Cable, engine stop	1	
3	34500/152F	Ignition coil sub-assy	1	
4	34510/152F	Ignition coil	1	
5	GB5787-86	Bolt M6×28	2	

# W-01 WATER PUMP ASSY



S/N	Part No.	Description	Quantity	Remark
1			6	
2	44511		1	
3	44521		1	
4	44141		2	
5	GB5787-86		6	
6	44321		1	
7	44311		1	
8	GB5787-86		6	
9	44142		2	
10	44111		1	
11	44221		1	
12	44212		1	
13	44211		1	
14	GB5787-86		2	

# W-01 WATER PUMP ASSY



S/N	Part No.	Description	Quantity	Remark
15	44250		1	
16	44121		1	
17	44112		1	
18			8	