

LIFAN
POWER
USA

WWW.LIFANPOWERUSA.COM

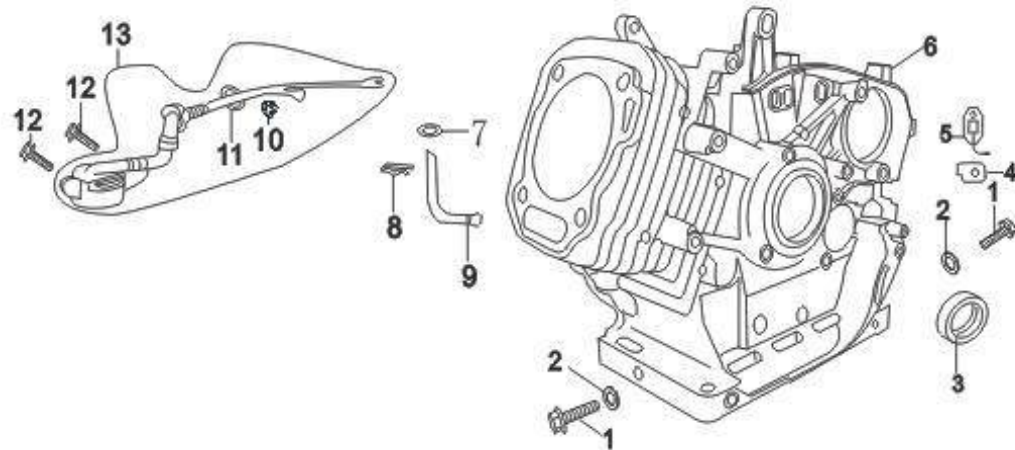
LF3TWP (-CA) WATER PUMP

EXPLODED VIEWS & PARTS LISTS



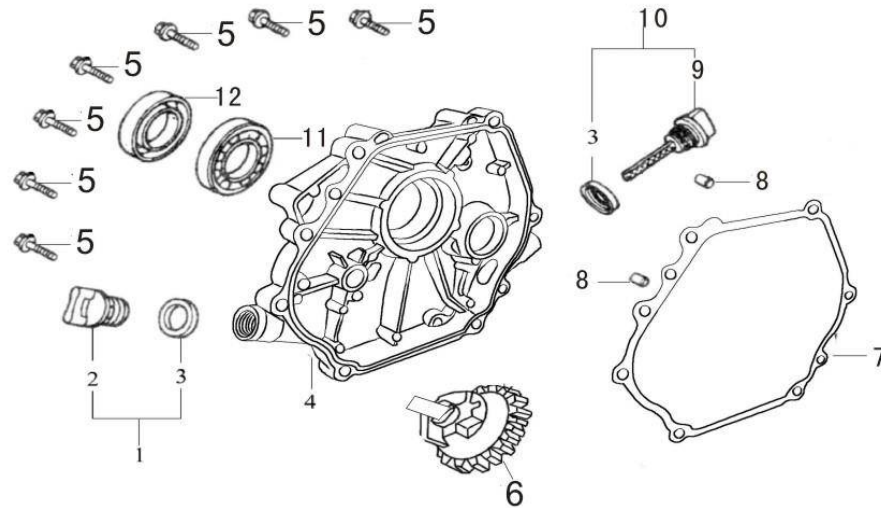
2205 Industrial Park Road Van Buren, AR 72956
(866) 471-7464 www.lifanpowerusa.com

E-1 CRANKCASE ASSY



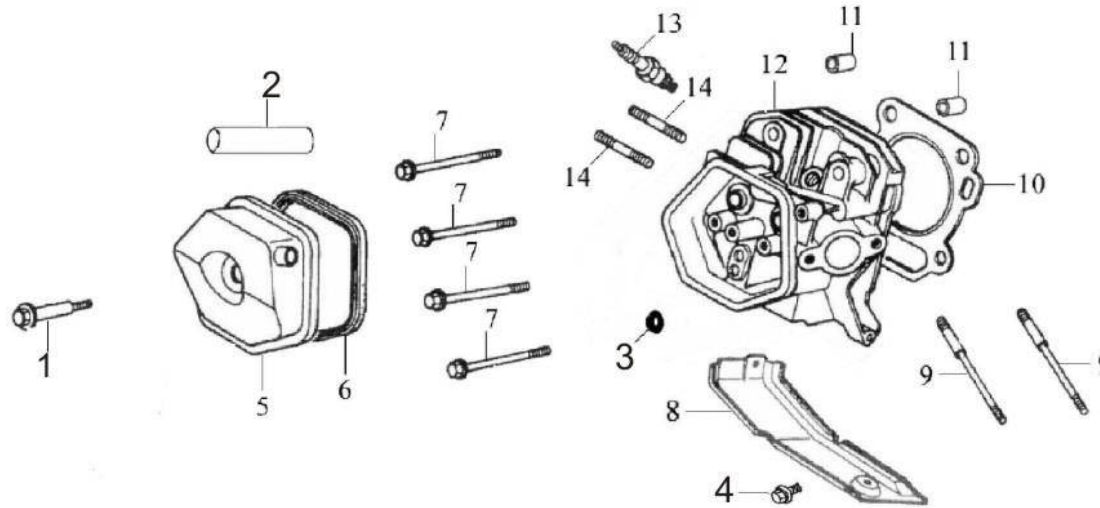
S/N	Part No.	Description	Quantity	Remark
1	11115-A0810-0001	Drain plug	2	
2	11116-A0810-0001	Washer	2	
3	111120-A0810-0001	Oil seal, crankshaft	1	
4	11117-A0810-0001	Seal	1	
5	27500-A0710-0001	Diode	1	
6	11110-A0911-0001	Crankcase	1	
7	26113-A0810-0001	Washer	2	
8	26112-A0810-0001	Split pin	1	
9	26111-A0810-0001	Regulating sway bar	1	
10	T312-0001	Nut M10	1	
11	11119-A1310-0001	O-ring	1	
12	T151-0008	Bolt M6×14	2	
13	27400-A0810-0002	Oil sensor	1	

E-2 CRANKCASE COVER ASSY



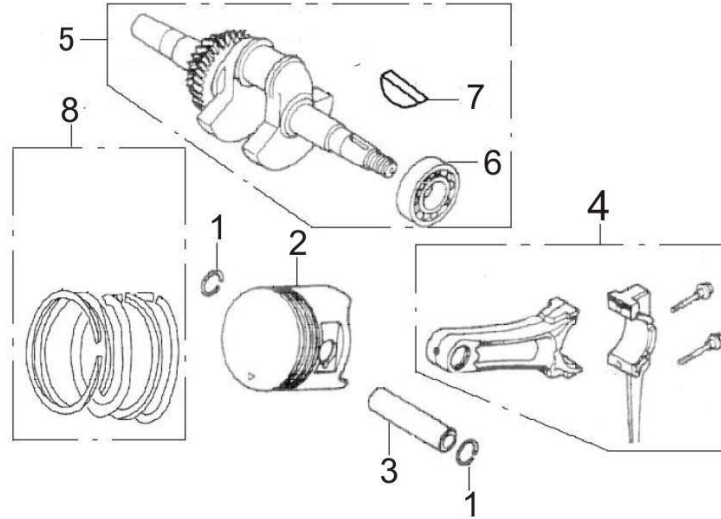
S/N	Part No.	Description	Quantity	Remark
1	15610-A0815-0001	Oil plug with Seal	1	
2	15611-A0815-0001	Oil plug	1	
3	15512-A07Y3-0001	Seal	2	
4	11211-A0810-0010	Crankcase cover	1	
5	T151-0008	Bolt M8×35	7	
6	25100-A0810-0001	Driven gear, regulator assy	1	
7	111114-A0810-0001	Gasket, crankcase	1	
8	11113-A0810-0001	Set pin Φ8×12	2	
9	15511-A0815-0001	Dipstick	1	
10	15510-A0815-0001	Dipstick with seal	1	
11	T910-0002	Bearing 6206	1	
12	11120-A0810-0001	Oil seal, crankshaft	1	

E-3 CYLINDER HEAD & CYLINDER HEAD COVER ASSY



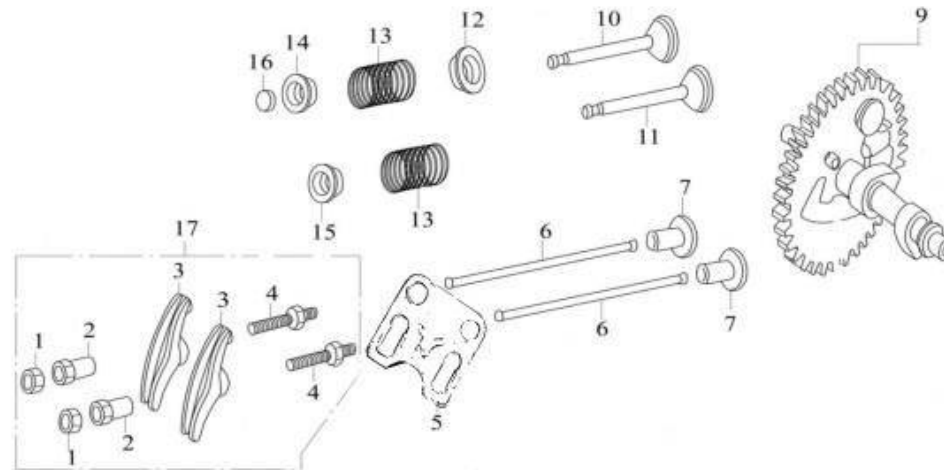
S/N	Part No.	Description	Quantity	Remark
1	12220-A0810-0001	Bolt	1	
2	11513-A1010-0002	Air duck	1	
3	14420-A0810-0001	Seal	1	
4	T152-0019	Bolt M6×12	1	
5	12200-A0810-0002	Cylinder head cover Assy	1	
6	12212-A0810-0001	Gasket, cylinder head cover	1	
7	12118-A0810-0001	Bolt	4	
8	19121-A0810-0001	Lead wind cover	1	
9	17218-A0810-0001	Stud	2	
10	12120-A0910-0001	Gasket, cylinder head	1	
11	12117-A0810-0001	Set pin	2	
12	12100-A0810-0001	Cylinder head Assy	1	
13	27100-A0710-0001	Spark plug	1	
14	18214-A0810-0001	Stud	2	

E-4 CRANKSHAFT, PISTON, CONNECTING & BALANCING SHAFT



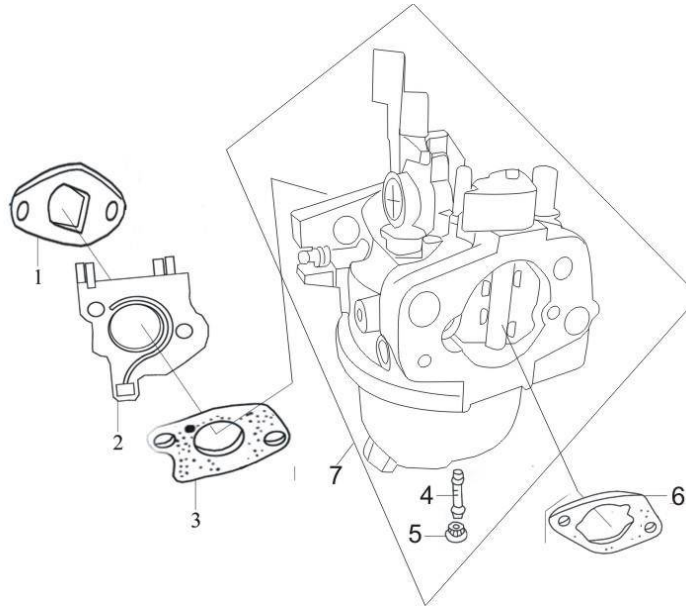
S/N	Part No.	Description	Quantity	Remark
1	13313-A0710-0001	Piston pin circlip	2	
2	13311-A0910-0001	Piston	1	
3	13312-A0810-0001	Piston pin	1	
4	13120-A0810-0001	Connecting rod assy	1	
5	13110-A0810-0001	Crankshaft assy	1	
6	T910-0002	Bearing 6206	1	
7	13112-A0710-0001	Woodruff key	1	
8	13400-A0910-0001	Piston ring set	1	

E-5 COMBINATION OF CAM SHAFT & VALVE ROCKER



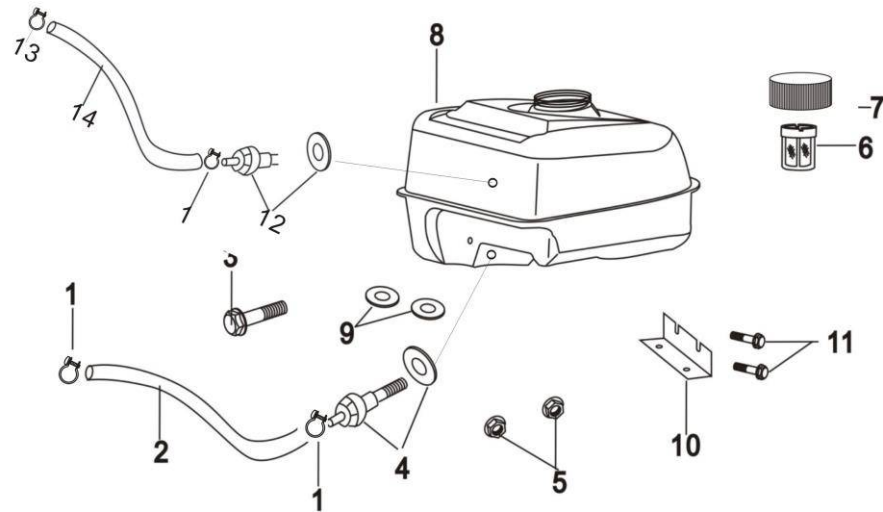
S/N	Part No.	Description	Quantity	Remark
1	14314-A0710-0001	Lock nut	2	
2	14312-A0710-0001	Sleeve	2	
3	14311-A0810-0001	Valve rocker	2	
4	14313-A0710-0001	Adjusting bolt for valve gap	2	
5	14220-A0810-0002	Pusher guide	1	
6	14210-A0810-0001	Pusher	2	
7	14315-A0810-0001	Tappet	2	
9	14100-A0810-0001	Camshaft assy	1	
10	14412-A0810-0001	Exhaust valve	1	
11	14411-A0810-0001	Intake valve	1	
12	14417-A0810-0001	Spring retainer, exhaust valve	1	
13	14414-A0810-0001	Valve spring	2	
14	14415-A0810-0001	Spring seat, exhaust valve	1	
15	14413-A0810-0001	Spring seat, intake valve	1	
16	14416-A0810-0001	Cap	1	
17	14310-A0810-0001	Valve rocker assy	1	

E-6 CARBURETOR ASSY



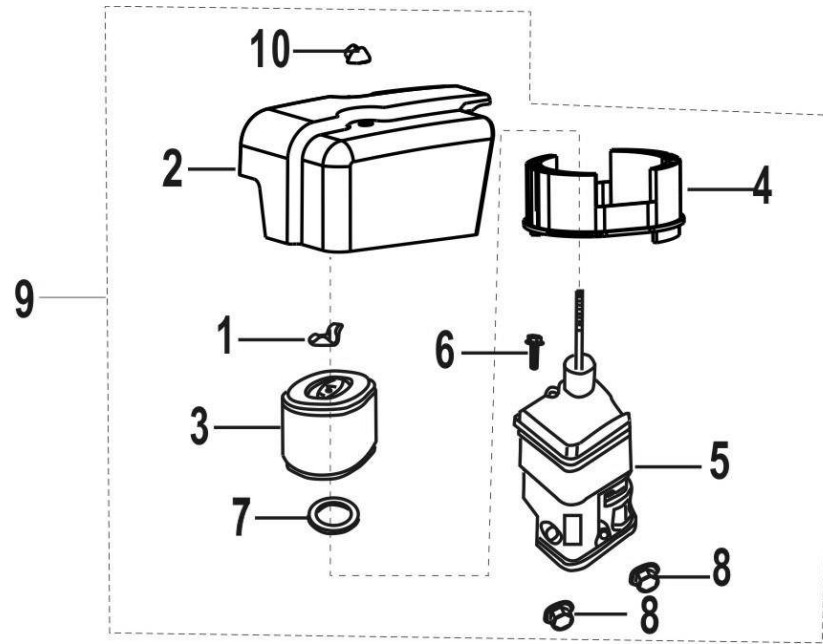
S/N	Part No.		Description	Quantity	Remark
1	17219-A0810-0001		Inlet gasket	1	
2	16120-A0810-0001		Connecting block	1	
3	16113-A1010-0001		Carburetor gasket	1	
4	16244-A0910-0001		Main nozzle	1	
5	16243-A0910-0001		Main jet	1	
6	17113-A0810-0001		Air cleaner gasket	1	
7	16100-A0910-0001		Carburetor Assy	1	

E-7 FUEL TANK ASSY



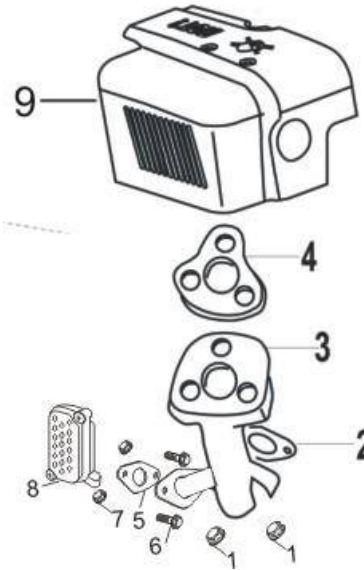
S/N	Part No.	Description	Quantity	Remark
1	16622-A0710-0002		3	
2	16621-A0810-0006	Outlet pipe	1	
3	T151-0006	Bolt M8×25	2	
4	16630-A0710-0001	Connector	1	
5	T314-0001	Nut M6	2	
6	16610-A0710-0003	Filter cup	1	
7	16400-A0410-0002	Fuel filler cap with packing ring	1	
8	16510-A0812-0018	Fuel tank	1	
9	16911-A0721-0001	Frame shock pad	2	
10	16540-A0811-0001	Plug-in board	1	
11	T152-0019	Bolt M6×12	2	
12	16557-A0710-0001		1	
13	16622-A0710-0002		1	
14	11513-A1010-0002		1	

E-8 AIR CLEANER ASSY



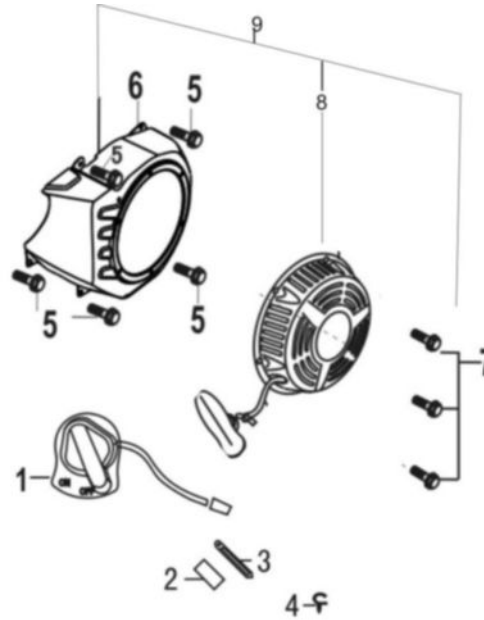
S/N	Part No	Description	Quantity	Remark
1	17111-A0710-0001	Wing nut	1	
2	17112-A0812-0001	Air cleaner cover	1	
3	17120-A0810-0001	Filter element	1	
4	17114-A0810-0001	Air cleaner aeration cover	1	
5	17200-A0810-0002	Air cleaner housing	1	
6	T152-0011	Bolt M6×28	1	
7	17121-A0810-0001	Washer	1	
8	T314-0001	Nut M6	2	
9	17100-A0812-0003	Air cleaner assy	1	
10	17111-A0712-0001	Air cleaner cover nut	1	

E-9 MUFFLER



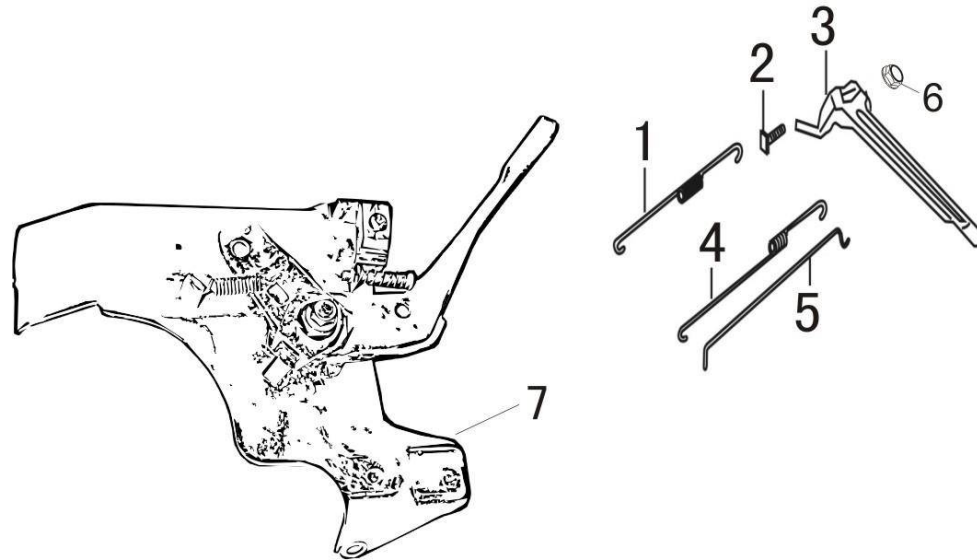
S/N	Part No	Description	Quantity	Remark
1	T354-0001	Nut M8	5	
2	18215-A0810-0001	Exhaust pipe gasket	1	
3	18117-A0810-0003	Exhaust pipe	1	
4	18217-A0810-0001	Muffler gasket	1	
5	18172-A0710-0001		1	
6	T152-0013		2	
7	T314-0001		2	
8	18171-A0710-0001		1	
9	18000-A0812-0004	Muffler assy	1	

E-10 RECOIL STARTER



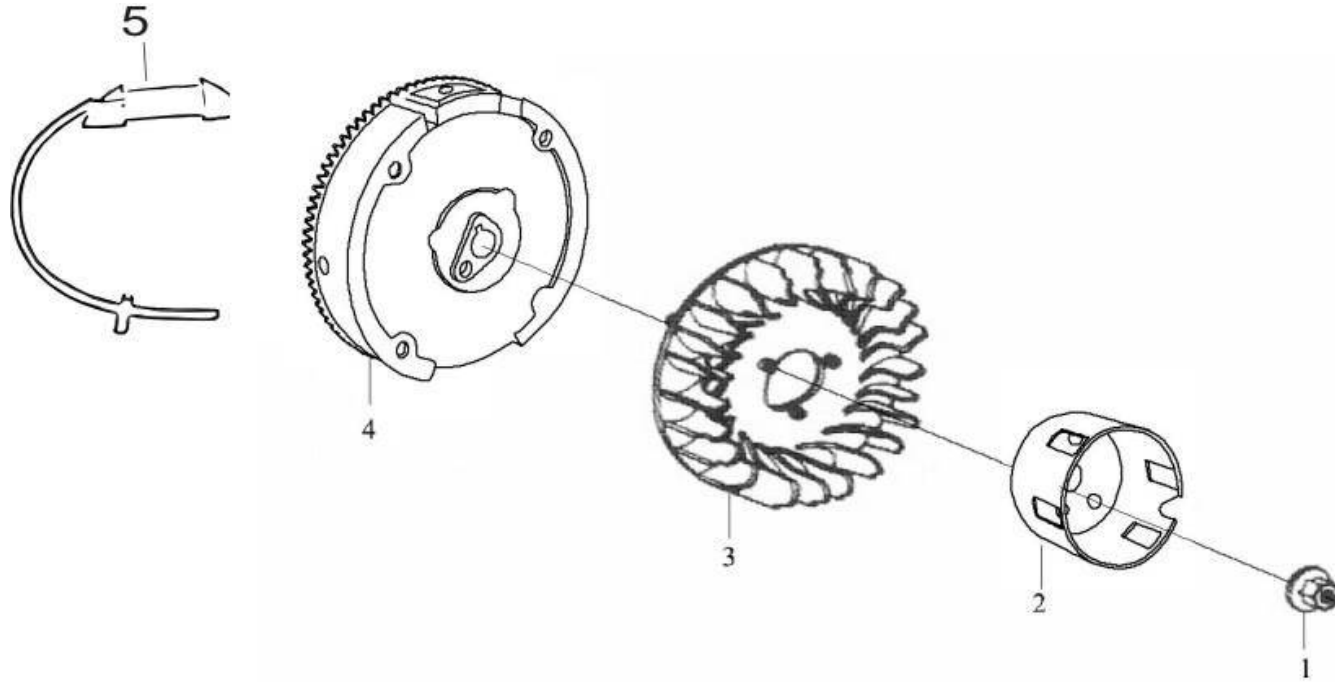
S/N	Part No	Description	Quantity	Remark
1	27300-A0712-0001	Engine switch	1	
2	19314-A0810-0001	Wire grommet	1	
3	19316-A0810-0002	Clip	1	
4	16628-A0810-0001	Plastic clip	1	
5	T152-0019	Bolt M6×12	5	
6	19211-A0810-0033	Fan hood assy	1	
7	T152-0036	Bolt M6×8	3	
8	23200-A0811-0004	Recoil starter	1	
9	23100-A0812-0015	Recoil starter assy	1	

E-11 REGULATING CONTROL SYSTEM



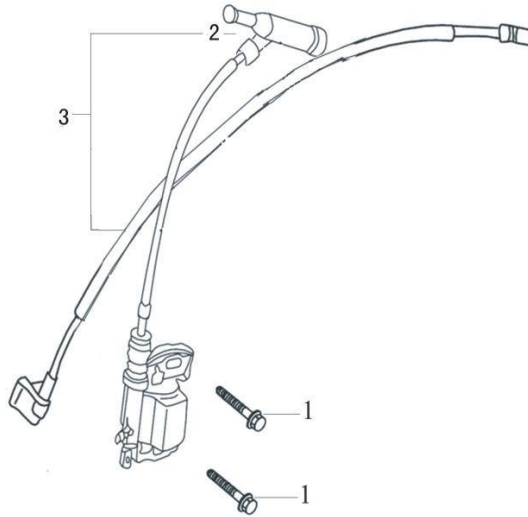
S/N	Part No	Description	Quantity	Remark
1	26117-A0810-0001	Back spring	1	
2	26116-A0710-0001	Lock bolt	1	
3	26114-A0810-0001	Regulating arm	1	
4	26118-A0810-0001	Fine regutaling spring	1	
5	26115-A0810-0001	Pulling rod	1	
6	T311-0002	Nut M6	1	
7	26200-A0810-0001	Regulating frame assy	1	

E-12 FLYWHEEL



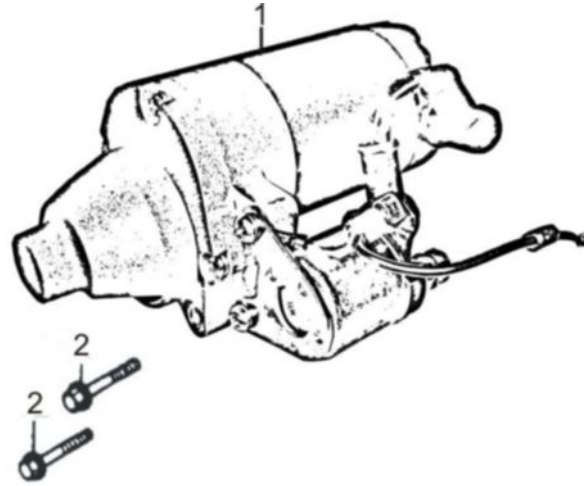
S/N	Part No	Description	Quantity	Remark
1	23317-A0810-0002	Nut M16×1.5	1	
2	23316-A0810-0001	Starting flange	1	
3	19111-A0810-0001	Flywheel fan	1	
4	23300-A0810-0001	Flywheel	1	
5	24130-A0714-0001			

E-13 IGNITION COIL



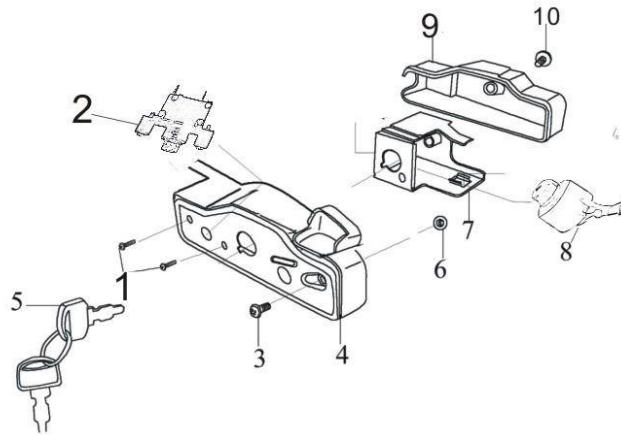
S/N	Part No	Description	Quantity	Remark
1	T152-0034	Screw M6×25	2	
2	27220-A0710-0001	Spark plug cap	1	
3	27200-A0810-0001	Ignition coil assy	1	

E-14 STARTING MOTOR ASSY



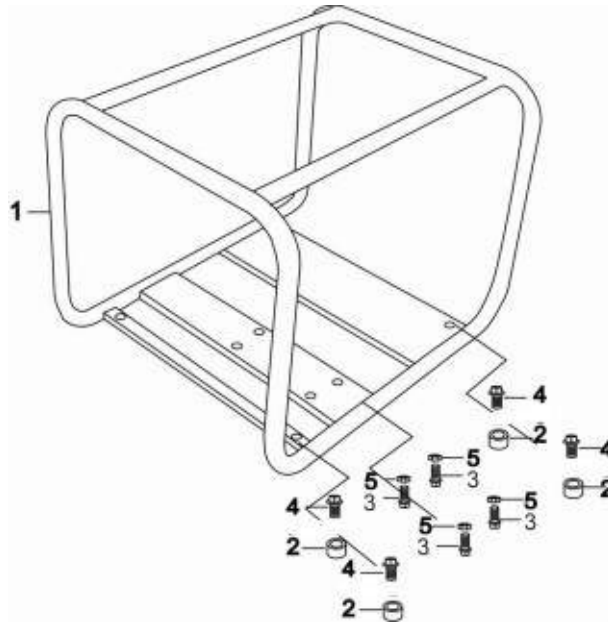
S/N	Part No.		Description	Quantity	Remark
1	24100-A1014-0001		Starting motor Assy	1	
2	T151-0008		Bolt, M8×35	2	

E-15 STARTING MOTOR CONTROL BOX ASSY



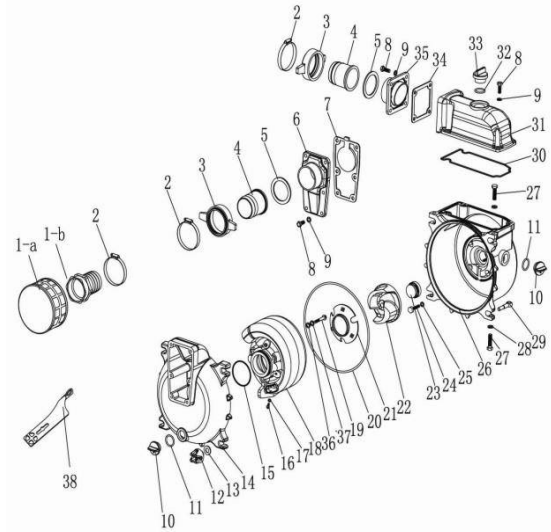
S/N	Part No.	Description	Quantity	Remark
1	T210-0021	Bolt M3×12	2	
2	24220-B9130-0001	Protector assy	1	
3	T151-0051	Bolt M4×10	1	
4	24211-A1310-0001	Control front cover	1	
5	31258-B9140-0001	Key	1	
6	T314-0008	Nut M4	1	
7	24212-A0814-0001	Fixed mount	1	
8	24215-A1014-0001	Key switch	1	
9	24213-A1014-0001	Control rear cover	1	
10	24214-A0814-0001	Attachment bolt	1	

E-15 FRAME



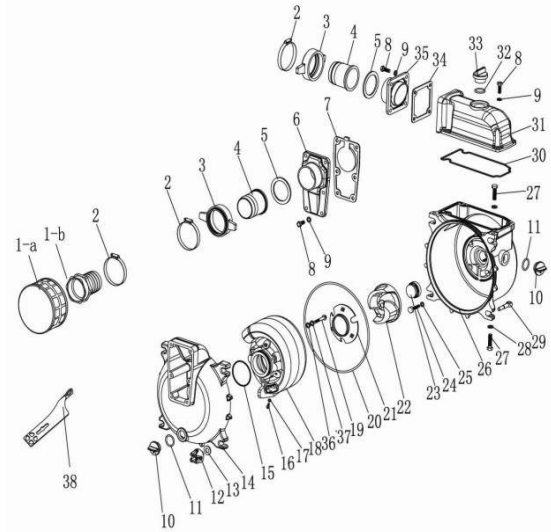
S/N	Part No.		Description	Quantity	Remark
1	51130-D8A10-0002		4-2 Frame sub-assy.	1	
2	32413-B9130-0001		Rubber	4	
3	GB/T16674		Bolt, M8×32	4	
4	T152-0019		Bolt, M6×12	4	
5	T311-0001		Nut, M8	4	

E-16

WATER PUMP ASSY

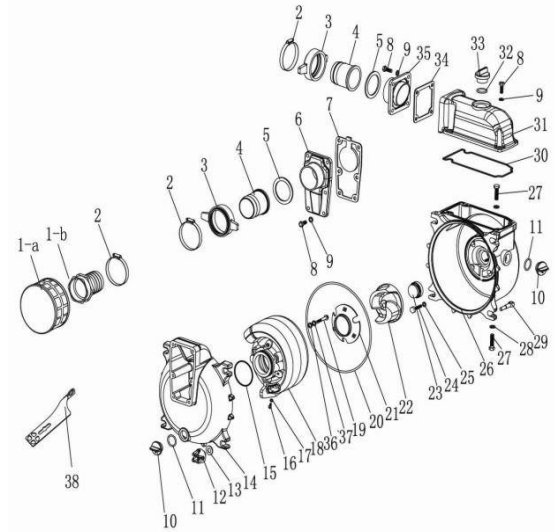
S/N	Part No.	Description	Quantity	Remark
1-a	80TP-013	Filter net	1	
1-b	80TP-012	Connecting pipe	1	
2	80ZB-018	Clamp	3	
3	80SP-001	Joint grip	2	
4	80SP-002	Pipe joint	2	
5	80SP-003	Rubber packing	2	
6	80SP-004	Suction flange	1	
7	80SP-005	Clap door	1	
8	80ZB-004	Bolt M10*30	14	
9	80SP-006	Spring washer φ10	14	
10	HP200-007	Plug	2	
11	HP200-008	Plug packing	2	
12	80SP-007	Quincunx Nut	4	
13	80SP-008	washer	4	
14	80SP-009	Pump body	1	
15	80SP-010	Rubber packing ring	1	

E-16

WATER PUMP ASSY

S/N	Part No.	Description	Quantity	Remark
16	80SP-011	Bolt M6*16	3	
17	80SP-012	Spring washer φ6	3	
18	80SP-013	Diffusor	1	
19	80SP-014	Bolt M8*35	3	
20	80SP-015	O- ring	1	
21	80SP-016	Impeller Cover	1	
22	80SP-017	Impeller	1	
23	80SP-018	Mechanical Seal	1	
24	80SP-019	Bolt M8*55	4	
25	50ZB-017	Aluminum washer	4	
26	80SP-020	Pump cover	1	
27	80SP-021	Bolt M12*45	4	
28	80SP-022	Spring washer φ12	4	
29	80SP-023	Eyelet Bolt	4	
30	80SP-024	Rubber Gasket	1	
31	80SP-025	Discharge Flange	1	

E-16 WATER PUMP ASSY



S/N	Part No.	Description	Quantity	Remark
32	80SP-026	Plug packing	1	
33	80SP-027	Plug	1	
34	80SP-028	Rubber Pad	1	
35	80SP-029	Outlet Tie-in	1	
36	80SP-030	washer $\phi 8$	3	
37	80SP-031	Spring washer $\phi 8$	3	
38	80SP-032	Wrench	1	