

**LIFAN  
POWER  
USA**

WWW.LIFANPOWERUSA.COM

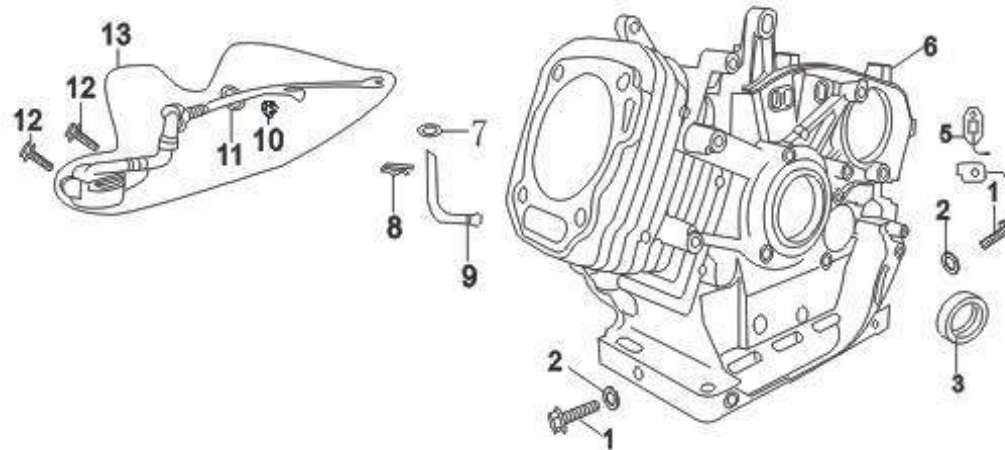
# LF4WP (-CA) WATER PUMP

## EXPLODED VIEWS & PARTS LISTS



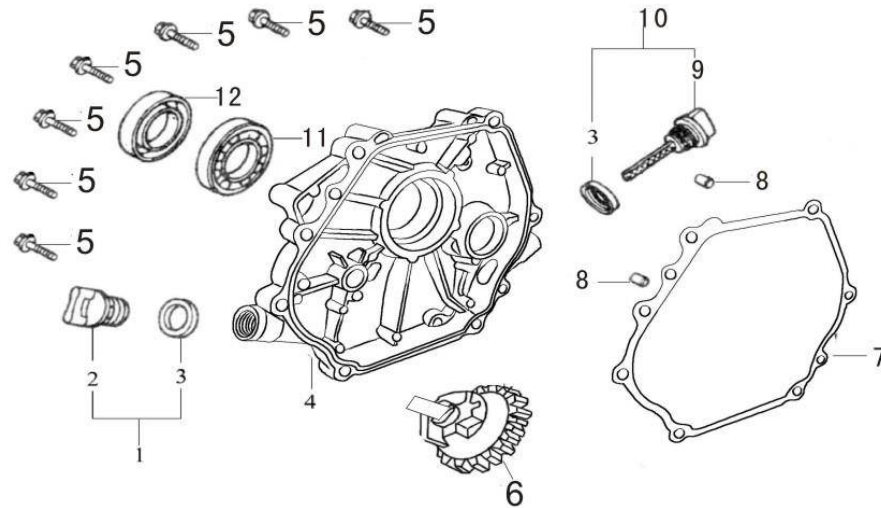
**2205 Industrial Park Road Van Buren, AR 72956**  
**(866) 471-7464 www.lifanpowerusa.com**

## E-1 CRANKCASE ASSY



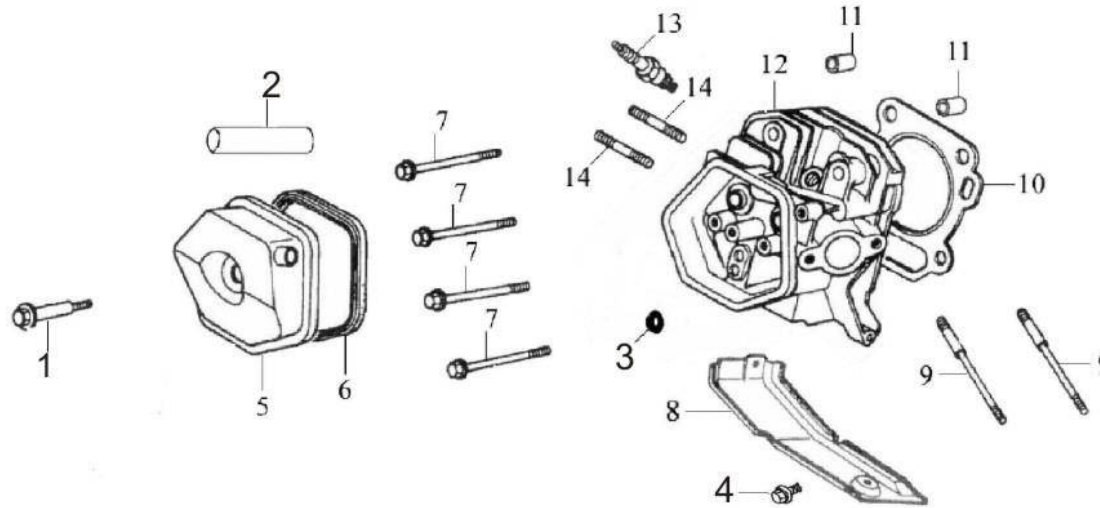
S/N	Part No.	Description	Quantity	Remark
1	11115-A0810-0001	Drain plug	2	
2	11116-A0810-0001	Washer	2	
3	111120-A0810-0001	Oil seal, crankshaft	1	
4	11117-A0810-0001	Seal	1	
5	27500-A0710-0001	Diode	1	
6	11110-A0911-0001	Crankcase	1	
7	26113-A0810-0001	Washer	2	
8	26112-A0810-0001	Split pin	1	
9	26111-A0810-0001	Regulating sway bar	1	
10	T312-0001	Nut M10	1	
11	11119-A1310-0001	O-ring	1	
12	T151-0008	Bolt M6×14	2	
13	27400-A0810-0002	Oil sensor	1	

## E-2 CRANKCASE COVER ASSY



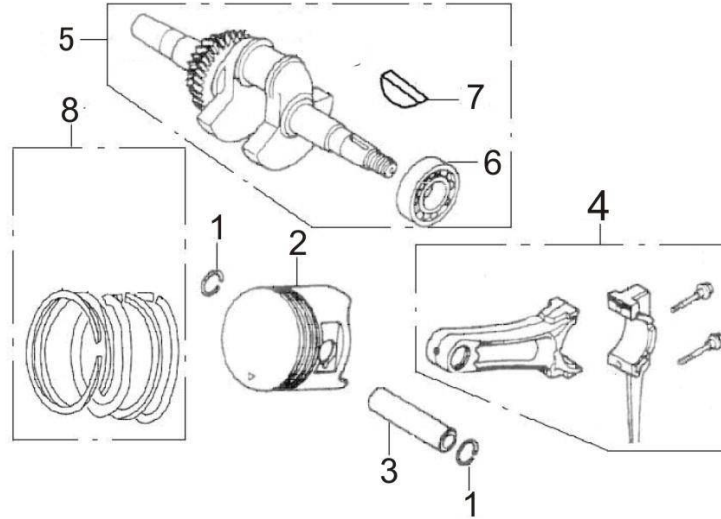
S/N	Part No.	Description	Quantity	Remark
1	15610-A0815-0001	Oil plug with Seal	1	
2	15611-A0815-0001	Oil plug	1	
3	15512-A07Y3-0001	Seal	2	
4	11211-A0810-0010	Crankcase cover	1	
5	T151-0008	Bolt M8×35	7	
6	25100-A0810-0001	Driven gear, regulator assy	1	
7	111114-A0810-0001	Gasket, crankcase	1	
8	11113-A0810-0001	Set pin Φ8×12	2	
9	15511-A0815-0001	Dipstick	1	
10	15510-A0815-0001	Dipstick with seal	1	
11	T910-0002	Bearing 6206	1	
12	11120-A0810-0001	Oil seal, crankshaft	1	

## E-3 CYLINDER HEAD & CYLINDER HEAD COVER ASSY



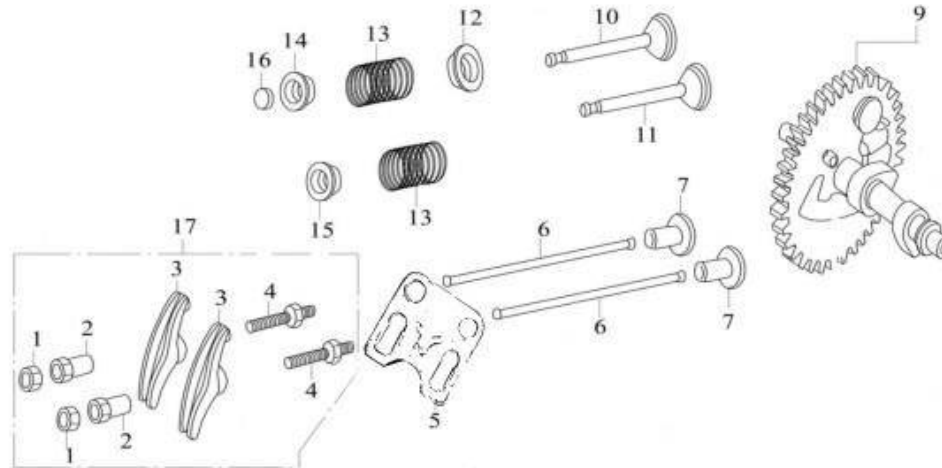
S/N	Part No.	Description	Quantity	Remark
1	12220-A0810-0001	Bolt	1	
2	11513-A1010-0002	Air duck	1	
3	14420-A0810-0001	Seal	1	
4	T152-0019	Bolt M6×12	1	
5	12200-A0810-0002	Cylinder head cover Assy	1	
6	12212-A0810-0001	Gasket, cylinder head cover	1	
7	12118-A0810-0001	Bolt	4	
8	19121-A0810-0001	Lead wind cover	1	
9	17218-A0810-0001	Stud	2	
10	12120-A0910-0001	Gasket, cylinder head	1	
11	12117-A0810-0001	Set pin	2	
12	12100-A0810-0001	Cylinder head Assy	1	
13	27100-A0710-0001	Spark plug	1	
14	18214-A0810-0001	Stud	2	

## E-4 CRANKSHAFT, PISTON, CONNECTING & BALANCING SHAFT



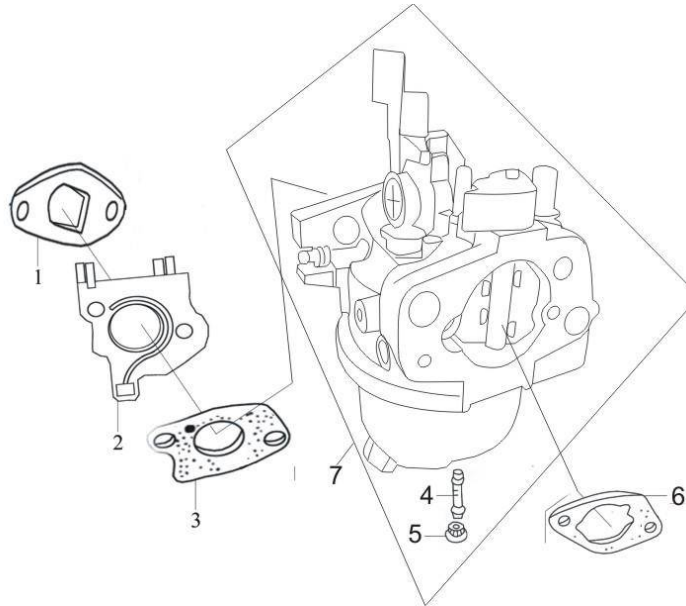
S/N	Part No.	Description	Quantity	Remark
1	13313-A0710-0001	Piston pin circlip	2	
2	13311-A0910-0001	Piston	1	
3	13312-A0810-0001	Piston pin	1	
4	13120-A0810-0001	Connecting rod assy	1	
5	13110-A0810-0001	Crankshaft assy	1	
6	T910-0002	Bearing 6206	1	
7	13112-A0710-0001	Woodruff key	1	
8	13400-A0910-0001	Piston ring set	1	

## E-5 COMBINATION OF CAM SHAFT & VALVE ROCKER



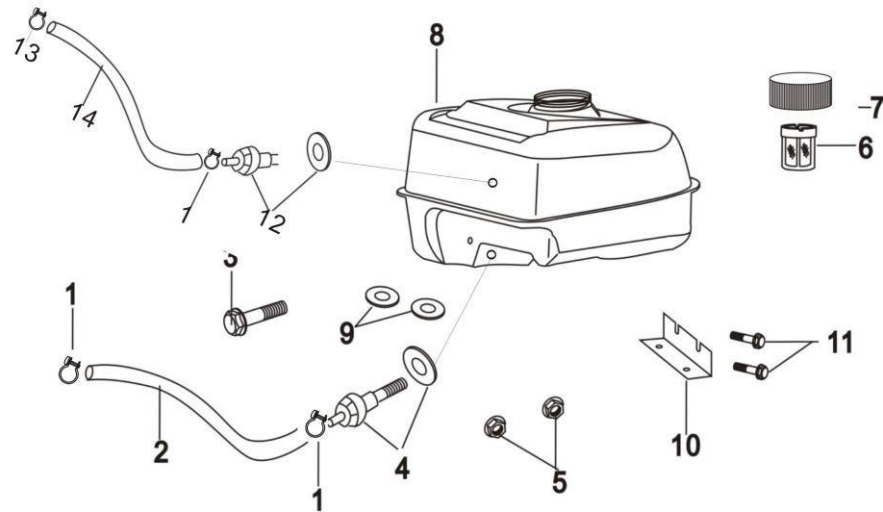
S/N	Part No.	Description	Quantity	Remark
1	14314-A0710-0001	Lock nut	2	
2	14312-A0710-0001	Sleeve	2	
3	14311-A0810-0001	Valve rocker	2	
4	14313-A0710-0001	Adjusting bolt for valve gap	2	
5	14220-A0810-0002	Pusher guide	1	
6	14210-A0810-0001	Pusher	2	
7	14315-A0810-0001	Tappet	2	
9	14100-A0810-0001	Camshaft assy	1	
10	14412-A0810-0001	Exhaust valve	1	
11	14411-A0810-0001	Intake valve	1	
12	14417-A0810-0001	Spring retainer, exhaust valve	1	
13	14414-A0810-0001	Valve spring	2	
14	14415-A0810-0001	Spring seat, exhaust valve	1	
15	14413-A0810-0001	Spring seat, intake valve	1	
16	14416-A0810-0001	Cap	1	
17	14310-A0810-0001	Valve rocker assy	1	

## E-6 CARBURETOR ASSY



S/N	Part No.	Description	Quantity	Remark
1	17219-A0810-0001	Inlet gasket	1	
2	16120-A0810-0001	Connecting block	1	
3	16113-A1010-0001	Carburetor gasket	1	
4	16244-A0910-0001	Main nozzle	1	
5	16243-A0910-0001	Main jet	1	
6	17113-A0810-0001	Air cleaner gasket	1	
7	16100-A0910-0001	Carburetor Assy	1	

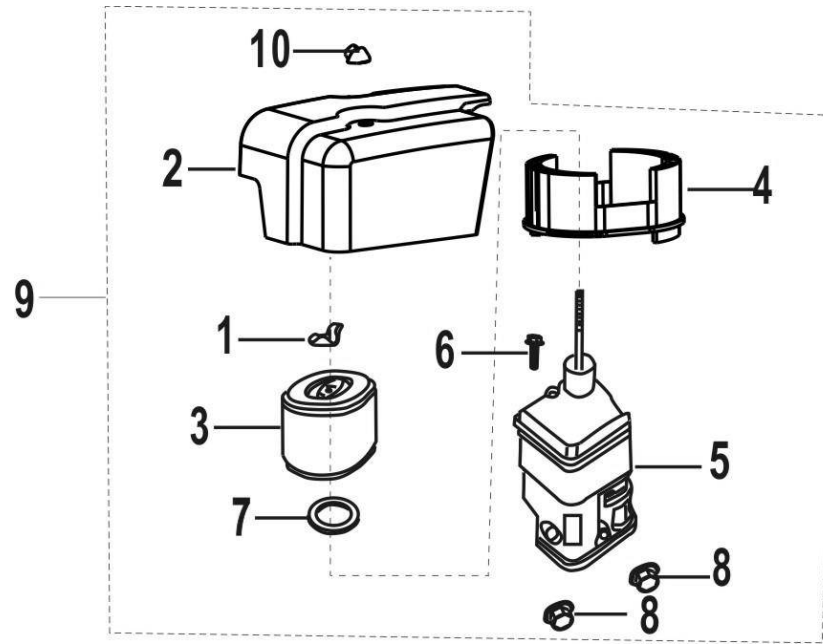
## E-7 FUEL TANK ASSY



S/N	Part No.	Description	Quantity	Remark
1	16622-A0710-0002		3	
2	16621-A0810-0006	Outlet pipe	1	
3	T151-0006	Bolt M8×25	2	
4	16630-A0710-0001	Connector	1	
5	T314-0001	Nut M6	2	
6	16610-A0710-0003	Filter cup	1	
7	16400-A0410-0002	Fuel filler cap with packing ring	1	
8	16510-A0812-0018	Fuel tank	1	
9	16911-A0721-0001	Frame shock pad	2	
10	16540-A0811-0001	Plug-in board	1	
11	T152-0019	Bolt M6×12	2	
12	16557-A0710-0001		1	
13	16622-A0710-0002		1	
14	11513-A1010-0002		1	

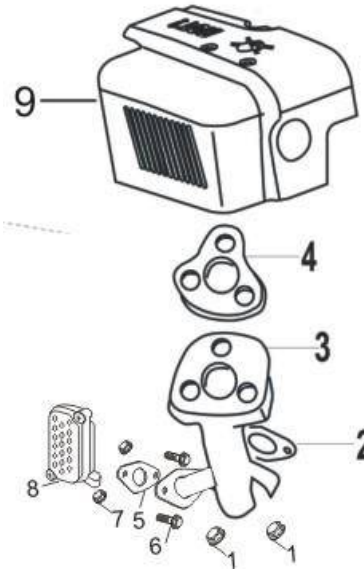


## E-8 AIR CLEANER ASSY



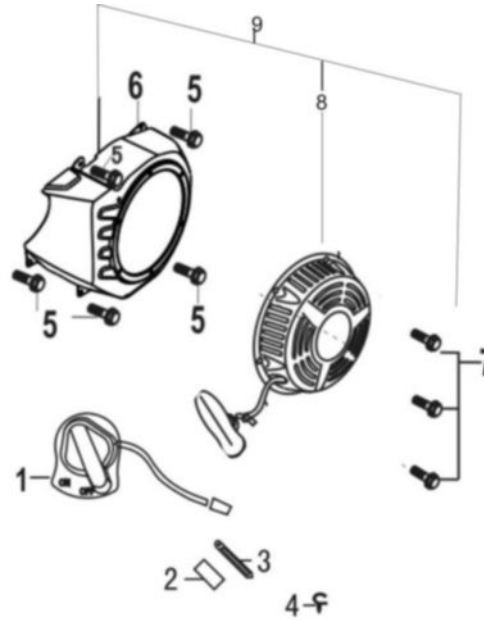
S/N	Part No	Description	Quantity	Remark
1	17111-A0710-0001	Wing nut	1	
2	17112-A0812-0001	Air cleaner cover	1	
3	17120-A0810-0001	Filter element	1	
4	17114-A0810-0001	Air cleaner aeration cover	1	
5	17200-A0810-0002	Air cleaner housing	1	
6	T152-0011	Bolt M6×28	1	
7	17121-A0810-0001	Washer	1	
8	T314-0001	Nut M6	2	
9	17100-A0812-0003	Air cleaner assy	1	
10	17111-A0712-0001	Air cleaner cover nut	1	

## E-9 MUFFLER



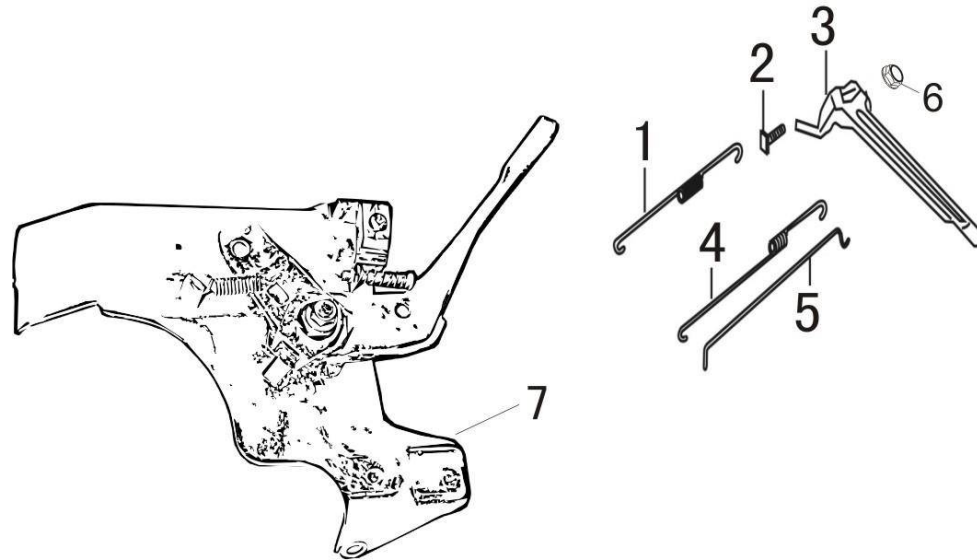
S/N	Part No	Description	Quantity	Remark
1	T354-0001	Nut M8	5	
2	18215-A0810-0001	Exhaust pipe gasket	1	
3	18117-A0810-0003	Exhaust pipe	1	
4	18217-A0810-0001	Muffler gasket	1	
5	18172-A0710-0001		1	
6	T152-0013		2	
7	T314-0001		2	
8	18171-A0710-0001		1	
9	18000-A0812-0004	Muffler assy	1	

## E-10 RECOIL STARTER



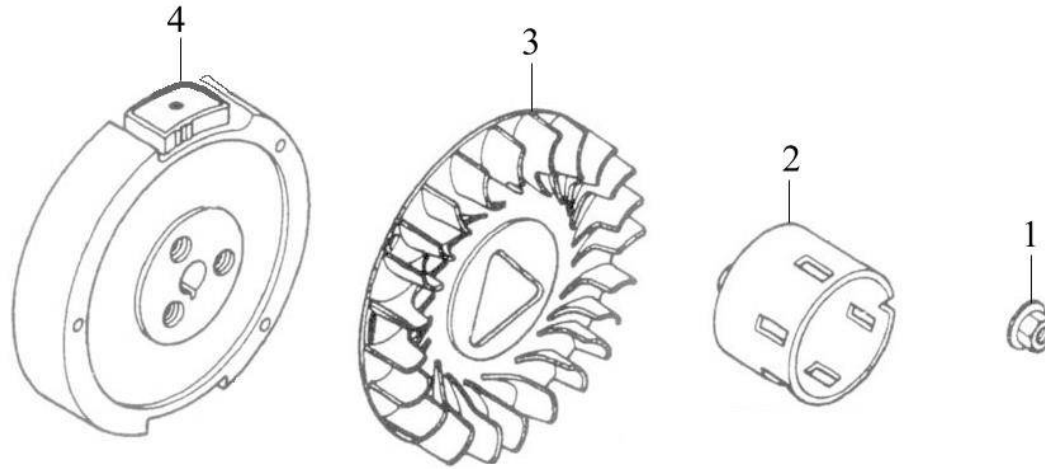
S/N	Part No	Description	Quantity	Remark
1	27300-A0712-0001	Engine switch	1	
2	19314-A0810-0001	Wire grommet	1	
3	19316-A0810-0002	Clip	1	
4	16628-A0810-0001	Plastic clip	1	
5	T152-0019	Bolt M6×12	5	
6	19211-A0810-0033	Fan hood assy	1	
7	T152-0036	Bolt M6×8	3	
8	23200-A0811-0004	Recoil starter	1	
9	23100-A0812-0015	Recoil starter assy	1	

## E-11 REGULATING CONTROL SYSTEM



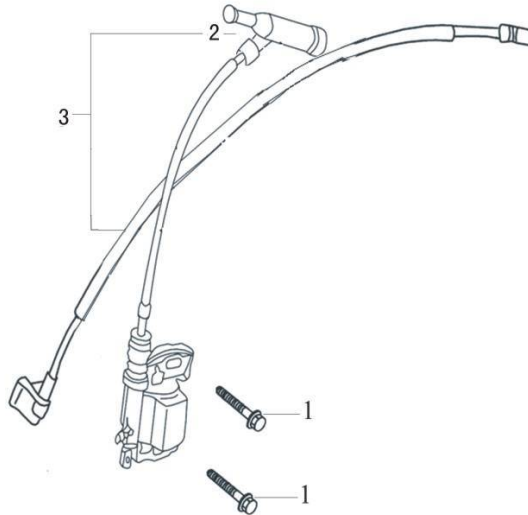
S/N	Part No	Description	Quantity	Remark
1	26117-A0810-0001	Back spring	1	
2	26116-A0710-0001	Lock bolt	1	
3	26114-A0810-0001	Regulating arm	1	
4	26118-A0810-0001	Fine regutaling spring	1	
5	26115-A0810-0001	Pulling rod	1	
6	T311-0002	Nut M6	1	
7	26200-A0810-0001	Regulating frame assy	1	

## E-12 FLYWHEEL



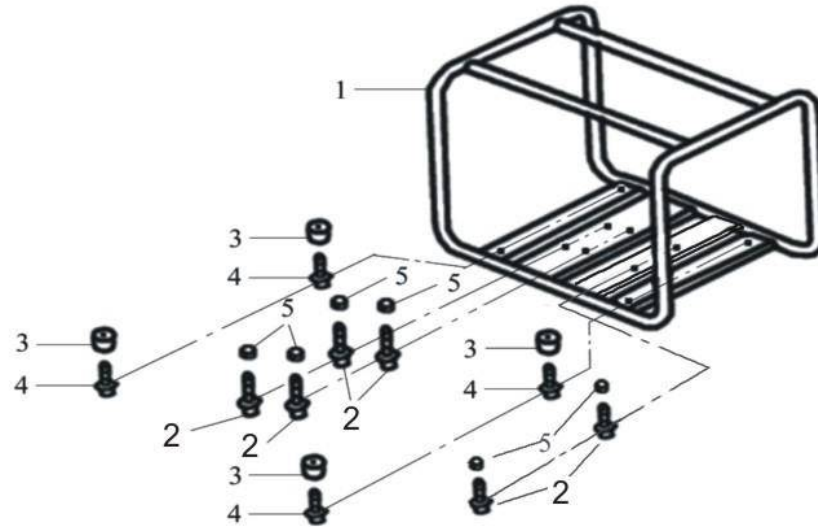
S/N	Part No	Description	Quantity	Remark
1	23317-A0810-0002	Nut M16×1.5	1	
2	23316-A0810-0001	Starting flange	1	
3	19111-A0810-0001	Flywheel fan	1	
4	23300-A0810-0001	Flywheel	1	

## E-13 IGNITION COIL



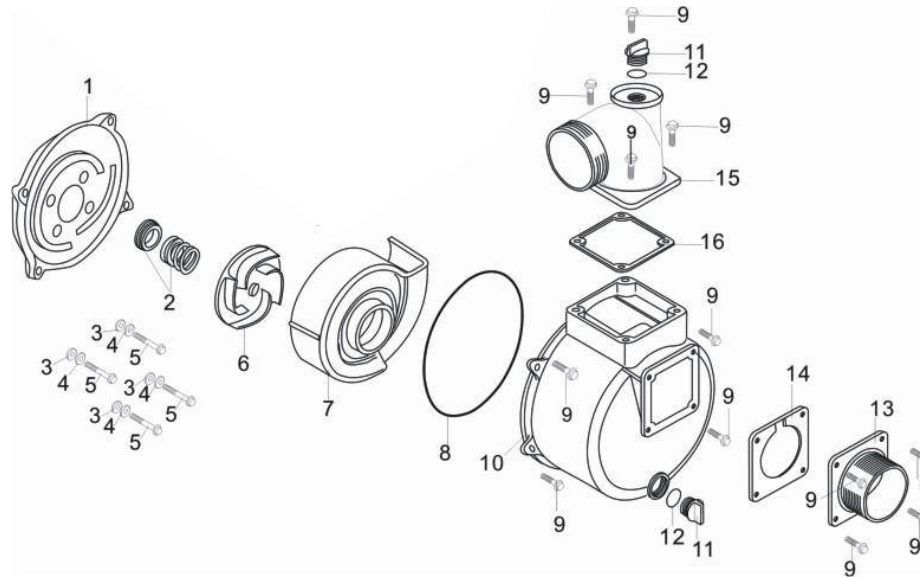
S/N	Part No	Description	Quantity	Remark
1	T152-0034	Screw M6×25	2	
2	27220-A0710-0001	Spark plug cap	1	
3	27200-A0810-0001	Ignition coil assy	1	

E-14 **FRAME**



S/N	Part No.		Description	Quantity	Remark
1	51130-D5910-0002		4" Frame sub-assy.	1	
2	T137-0002		Bolt, M10×35	6	
3	32413-B9130-0001		Rubber	4	
4	T152-0019		Bolt, M6×12	4	
5	T312-0001		Nut, M10	6	

# E-15 WATER PUMP ASSY

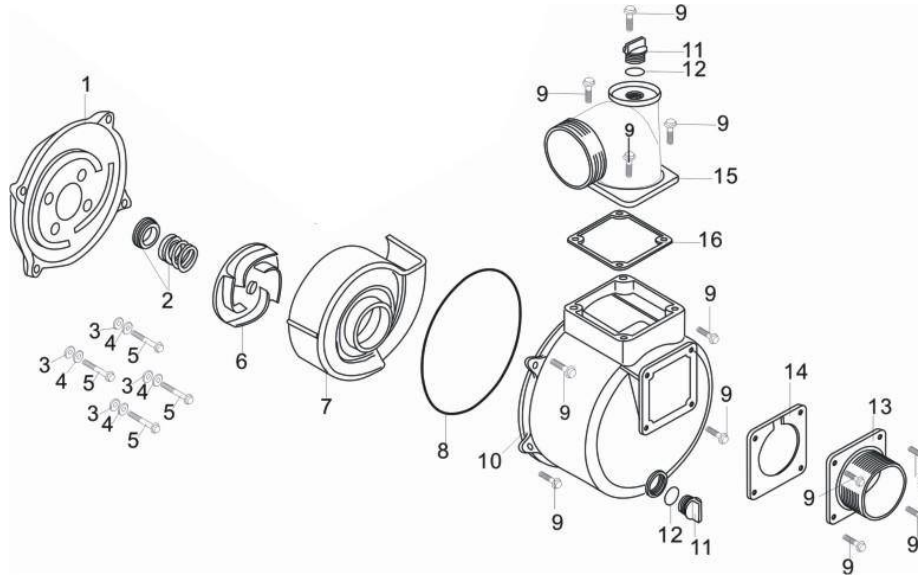


S/N	Part No.	Description	Quantity	Remark
1	51211-D5910-0001	Cover	1	
2	51230-D5910-0001	Seal, mechanical	1	
3	51213-D5910-0001	Shim, Bolt	4	
4	T411-0009	Plain washer, 8	4	
5	T151-0008	Bolt, M8×35	4	
6	51214-D5910-0001	Impeller	1	
7	51215-D5910-0001	Housing	1	
8	51216-D5910-0001	Seal O-ring, body	1	
9	T151-0008	Bolt, M10×40	12	
10	51223-D5910-0001	Body	1	
11	51241-D8A10-0001	Plug	2	
12	51242-D8A10-0001	Seal ring, plug	2	



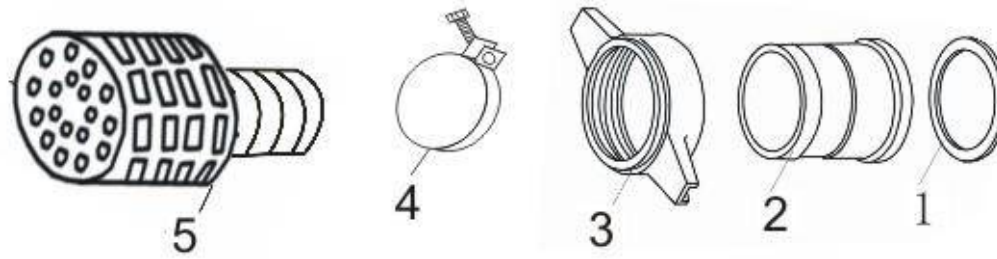
E-15

**WATER PUMP ASSY**



S/N	Part No.	Description	Quantity	Remark
13	51221-D5910-0001	Inlet pipe	1	
14	51222-D5910-0001	Valve, inlet pipe	1	
15	51261-D5910-0001	Outlet pipe	1	
16	51262-D5910-0001	Outlet pipe shim	1	

E-16 **Water pump accessories**



S/N	Part No.		Description	Quantity	Remark
1	51219-D5910-0001		Pump rubber pad	2	
2	51217-D5910-0001		take over control	2	
3	51218-D5910-0002		connect	2	
4	51227-D5910-0001		Clamp	2	
5	51250-D5910-0001		The filtering cover assembly	1	