

**LIFAN
POWER
USA**

WWW.LIFANPOWERUSA.COM

PLATINUM SERIES

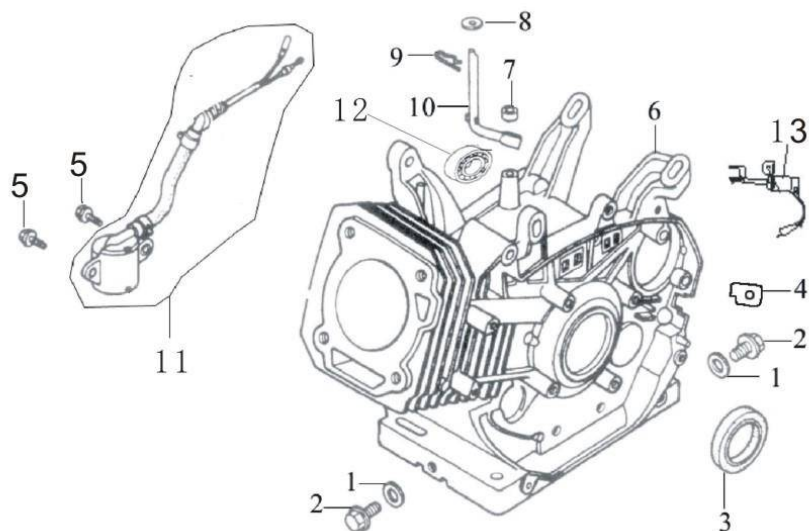
LF-8500iEPL GENERATOR

EXPLODED VIEWS & PARTS LISTS



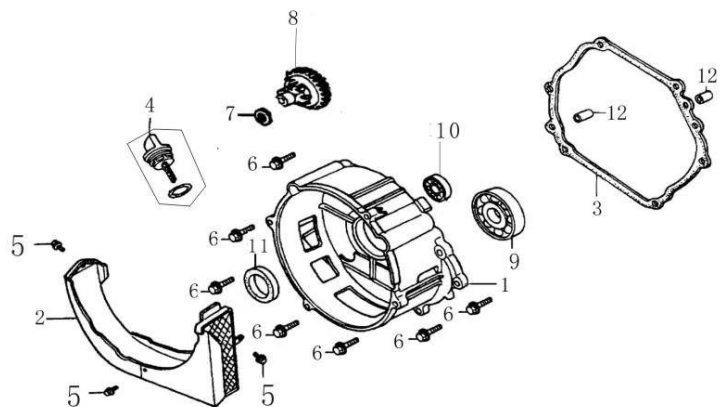
2205 Industrial Park Road Van Buren, AR 72956
(866) 471-7464 www.lifanpowerusa.com

E-01 Crankcase Assy



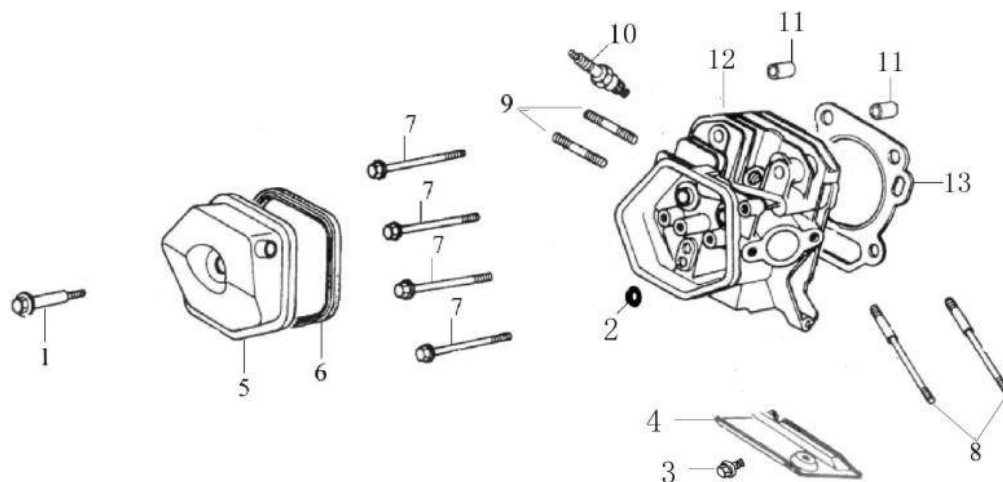
| Ref. No. | Part No. | Description | Quantity |
|----------|------------------|-------------------------------|----------|
| E01-01 | 11116-A0810-0001 | Washer | 2 |
| E01-02 | 11115-A0810-0001 | Drain plug | 2 |
| E01-03 | 11120-A1010-0001 | Oil seal, crankshaft Assy (一) | 1 |
| E01-04 | 11117-A0810-0001 | Seal | 1 |
| E01-05 | T152-0004 | Bolt M6×14 | 2 |
| E01-06 | 11110-A1214-0005 | Crankcase | 1 |
| E01-07 | 11130-A1010-0001 | Oil seal, regulating sway bar | 1 |
| E01-08 | 26113-A0810-0001 | Washer | 2 |
| E01-09 | 26112-A0810-0001 | Split pin | 1 |
| E01-10 | 26111-A1010-0001 | Regulating sway bar | 1 |
| E01-11 | 27400-A0810-0002 | Oil sensor Assy | 1 |
| E01-12 | T910-0005 | Bearing 6202 | 1 |
| E01-13 | 26500-G1110-0001 | Electromagnet | 1 |

E-02 Crankcase cover Assy



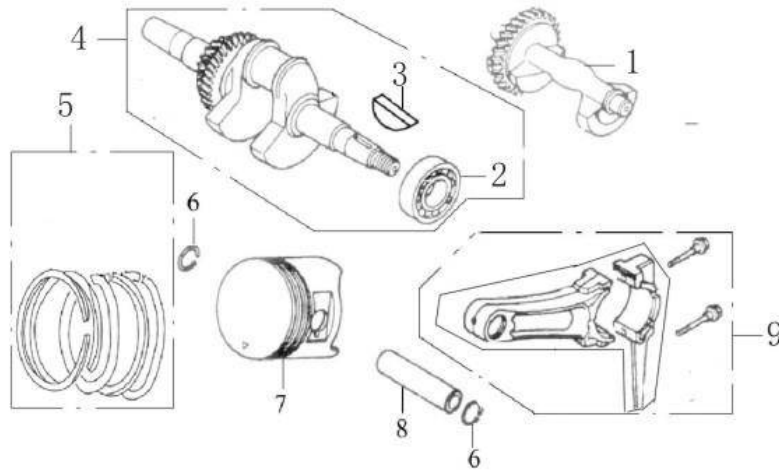
| S/N | Part No. | Description | Quantity |
|--------|------------------|---------------------------------|----------|
| E02-01 | 11211-BF130-0001 | Crankcase cover | 1 |
| E02-02 | 11220-BF130-0001 | Guard, crankcase cover Assy | 1 |
| E02-03 | 11114-A1010-0001 | Gasket, crankcase | 1 |
| E02-04 | 15510-BC130-0001 | Dipstick | 1 |
| E02-05 | 31153-BC130-0002 | Bolt M5×14 | 3 |
| E02-06 | T151-0013 | Bolt M8×40 | 7 |
| E02-07 | 25118-A0810-0001 | Washer, driven gear | 1 |
| E02-08 | 25100-A1210-0001 | Driven gear set, regulator assy | 1 |
| E02-09 | T910-0003 | Bearing 6207 | 1 |
| E02-10 | T910-0005 | Bearing 6202 | 1 |
| E02-11 | 11120-A1010-0001 | Oil seal , crankshaft assy (一) | 1 |
| E02-12 | 11113-A0810-0001 | Set pinΦ8×12 | 2 |

E-03 Cylinder head & Cylinder head cover Assy



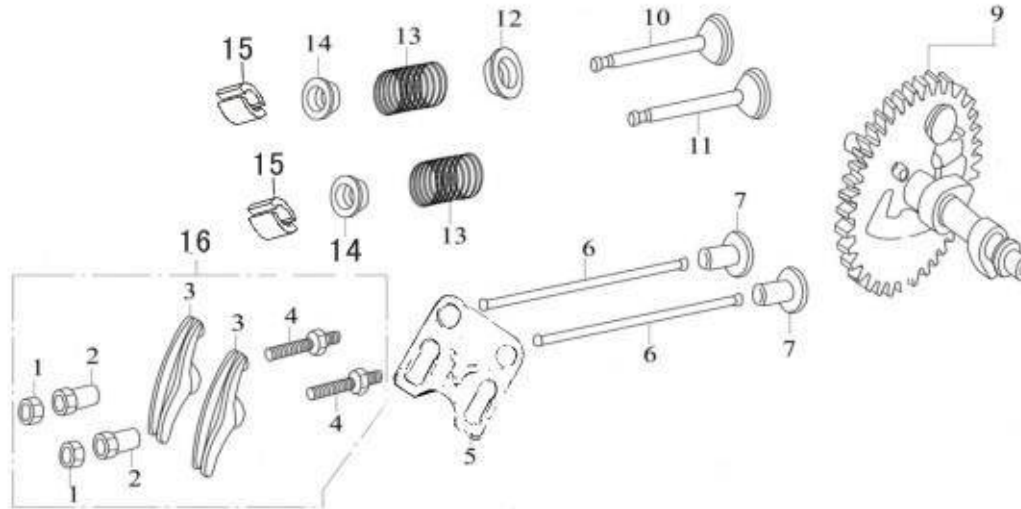
| Ref. No. | Part No. | Description | Quantity |
|----------|------------------|-----------------------------|----------|
| E03-01 | 12220-A0810-0001 | Bolt Assy | 1 |
| E03-02 | 14420-A0810-0001 | Seal Assy | 1 |
| E03-03 | T152-0019 | Bolt:M6×12 | 1 |
| E03-04 | 19121-A1010-0001 | Lead wind cover (—) | 1 |
| E03-05 | 12200-A0810-0001 | Cylinder head cover Assy | 1 |
| E03-06 | 12212-A0810-0001 | Gasket, cylinder head cover | 1 |
| E03-07 | 12118-A0810-0001 | Bolt | 4 |
| E03-08 | 17218-BF130-0001 | Stud M6×M8×106 | 2 |
| E03-09 | 18214-A0710-0001 | Stud M8×34 | 2 |
| E03-10 | 27100-A0710-0001 | Spark plug Assy | 1 |
| E03-11 | 12117-A0810-0001 | Set pin | 2 |
| E03-12 | 12100-A1210-0002 | Cylinder head Assy | 1 |
| E03-13 | 12120-A1210-0001 | Gasket, cylinder head Assy | 1 |

E-04 Crankshaft, Piston, Connecting rod & Balancing shaft



| Ref. No. | Part No. | Description | Quantity |
|----------|------------------|---------------------|----------|
| E04-01 | 13116-A1210-0001 | Balancing shaft | 1 |
| E04-02 | T910-0003 | Bearing 6207 | 1 |
| E04-03 | 13112-A0710-0001 | Wood ruff key | 1 |
| E04-04 | 13110-A1210-0002 | Crankshaft assy | 1 |
| E04-05 | 13400-A1210-0003 | Piston ring set | 1 |
| E04-06 | 13313-A1010-0001 | Piston pin circlip | 2 |
| E04-07 | 13311-A1210-0004 | Piston | 1 |
| E04-08 | 13312-A1010-0001 | Piston pin | 1 |
| E04-09 | 13120-A1210-0001 | Connecting rod assy | 1 |

E-5 COMBINATION OF CAM SHAFT & VALVE ROCKER



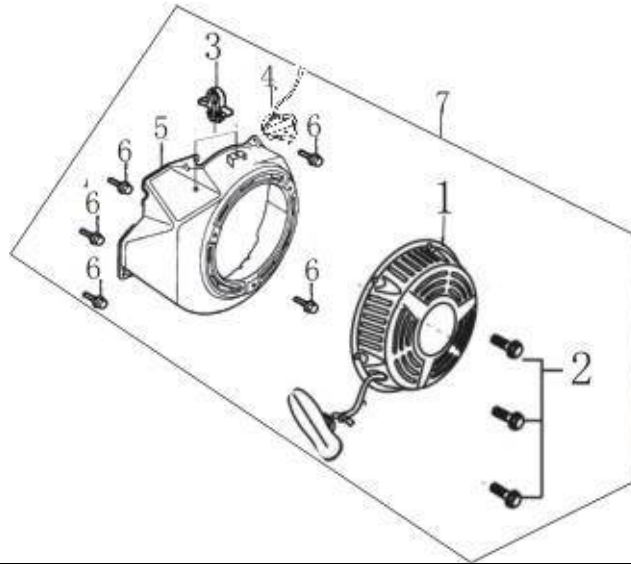
| S/N | Part No. | Description | Quantity |
|-----|------------------|--------------------------------|----------|
| 1 | 14314-A0710-0001 | Lock nut | 2 |
| 2 | 14312-A0710-0001 | Sleeve | 2 |
| 3 | 14311-A0810-0001 | Valve rocker | 2 |
| 4 | 14313-A0710-0001 | Adjusting bolt for valve gap | 2 |
| 5 | 14220-A0810-0002 | Pusher guide | 1 |
| 6 | 14210-A1010-0001 | Pusher | 2 |
| 7 | 14315-A0810-0001 | Tappet | 2 |
| 9 | 14100-A1210-0002 | Camshaft assy | 1 |
| 10 | 14412-A1210-0001 | Exhaust valve | 1 |
| 11 | 14411-A1010-0003 | Intake valve | 1 |
| 12 | 14417-A0810-0001 | Spring retainer, exhaust valve | 1 |
| 13 | 14414-A0810-0001 | Valve spring | 2 |
| 14 | 14413-A1010-0001 | Spring seat, exhaust valve | 2 |
| 15 | 14418-A1010-0001 | Valve lock clamp | 4 |
| 16 | 14310-A0810-0001 | Valve rocker assy | 1 |

E-06 Carburetor Assy



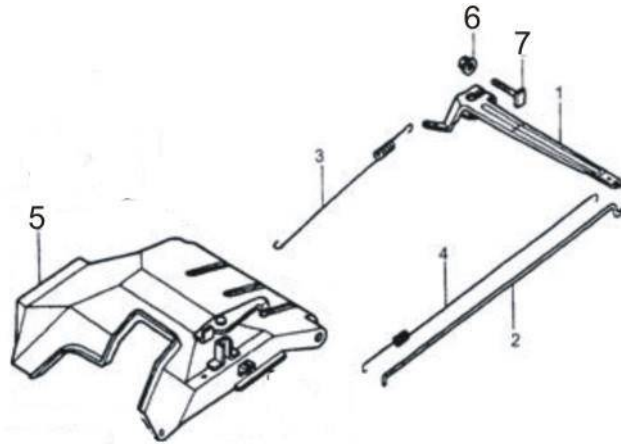
| Ref. No. | Part No. | Description | Quantity |
|----------|------------------|---------------------|----------|
| E06-01 | 17219-A1010-0001 | Inlet gasket | 1 |
| E06-02 | 16120-BG130-0001 | Float needle | 1 |
| E06-03 | 16113-A1110-0001 | Carburetor gasket | 1 |
| E06-04 | 16100-BJ130-0001 | Carburetor Assy | 1 |
| E06-05 | 16800-BC130-0001 | Manual choke Assy | 1 |
| E06-06 | 16244-BJ130-0001 | Main nozzle | 1 |
| E06-07 | 16243-A1210-0001 | Main jet | 1 |
| E06-08 | 17113-A0810-0003 | Gasket, air cleaner | 1 |
| E06-09 | 16840-BC130-0001 | Check valve Assy | 1 |

E-07 Recoil Starter



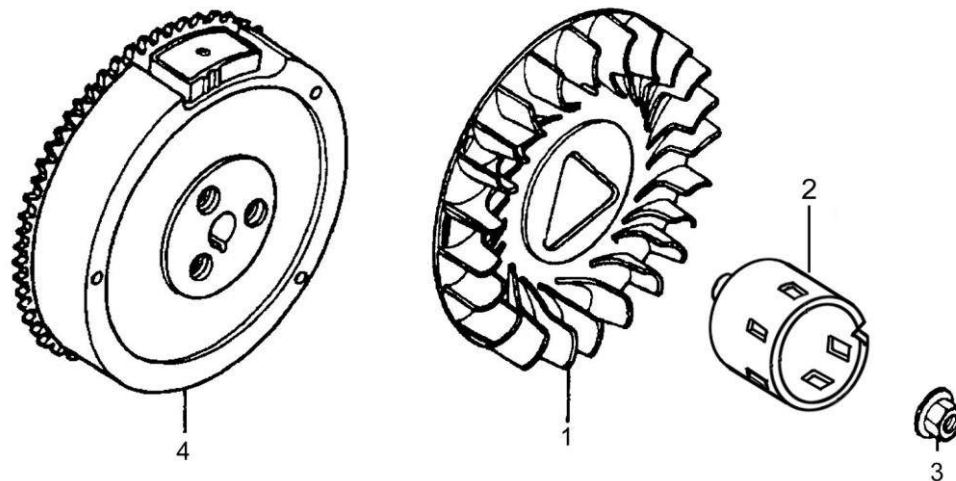
| Ref.No. | Part No. | Description | Quantity |
|---------|------------------|---------------------|----------|
| E07-01 | 23200-A1010-0014 | Recoil starter assy | 1 |
| E07-02 | T152-0036 | Bolt M6×8 | 3 |
| E07-03 | 16845-BC130-0001 | Friction spring | 2 |
| E07-04 | 27300-A0712-0001 | Engine switch | 1 |
| E07-05 | 19211-BF130-0020 | Fan hood assy | 1 |
| E07-06 | T152-0019 | Bolt M6×12 | 5 |
| E07-07 | 23100-BF130-0062 | Recoil starter assy | 1 |

E-08 Regulating control system



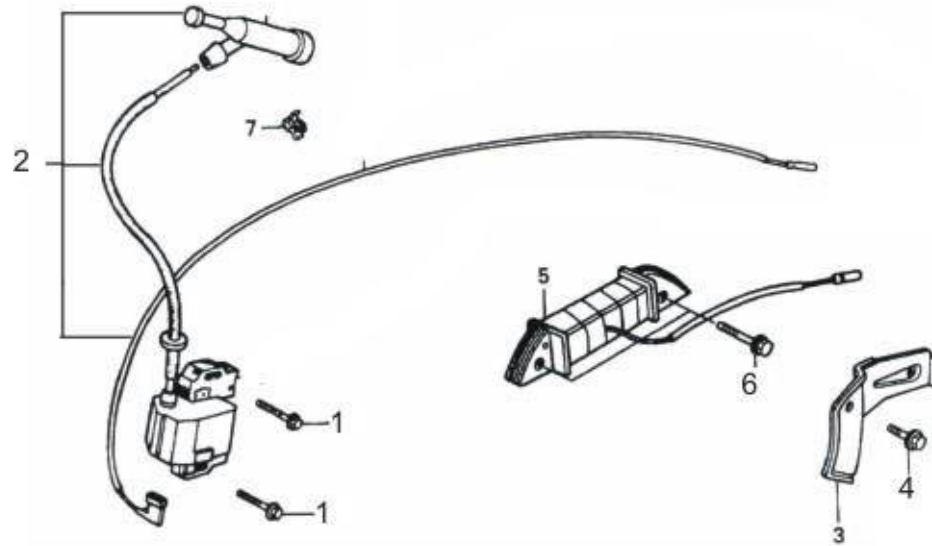
| S/N | Part No. | Description | Quantity |
|--------|------------------|------------------------|----------|
| E08-01 | 26114-G1110-0001 | Regulating arm | 1 |
| E08-02 | 26115-A1010-0001 | Pulling rod | 1 |
| E08-03 | 26117-A1010-0001 | Back spring | 1 |
| E08-04 | 26118-A1010-0001 | Fine regulating spring | 1 |
| E08-05 | 26200-BF130-0001 | Regulating frame assy | 1 |
| E08-06 | T311-0002 | Nut M6 | 1 |
| E08-07 | 26116-A0710-0001 | Lock bolt | 1 |

E-09 Flywheel



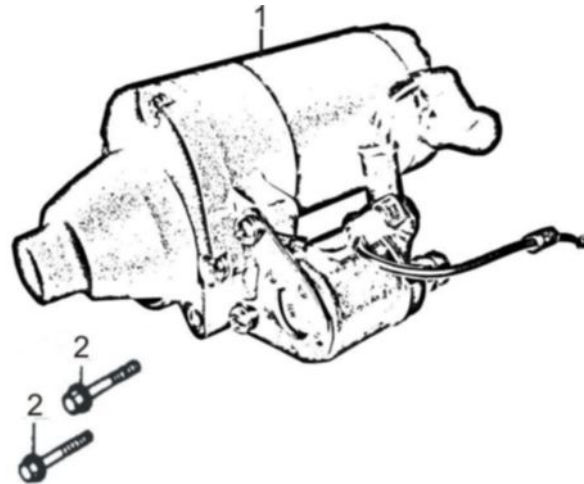
| S/N | Part No. | | Description | Quantity | |
|--------|------------------|--|-----------------|----------|--|
| E09-01 | 19111-A1210-0001 | | Flywheel fan | 1 | |
| E09-02 | 23316-A1010-0002 | | Starting flange | 1 | |
| E09-03 | 23317-A0810-0002 | | Nut M16×1.5 | 1 | |
| E09-04 | 23300-A1114-0001 | | Flywheel | 1 | |

E-10 Ignition coil



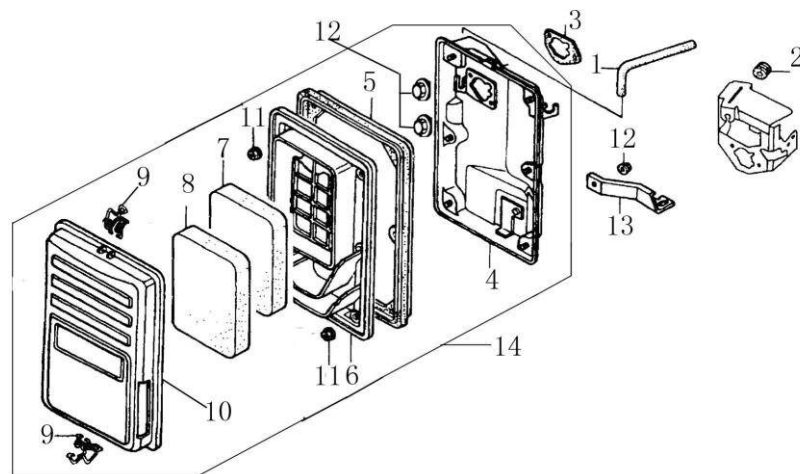
| S/N | Part No. | Description | Quantity |
|-------|------------------|-------------------|----------|
| E10-1 | T152-0034 | Bolt M6×25 | 2 |
| E10-2 | 27200-A1110-0001 | Ignition coil uni | 1 |
| E10-3 | 24145-A1014-0001 | Clamper, cord | 1 |
| E10-4 | T152-0019 | Bolt M6×12 | 1 |
| E10-5 | 24130-A0714-0001 | Charge coil | 1 |
| E10-6 | T152-0011 | Bolt M6×28 | 2 |
| E10-7 | 19316-A0810-0002 | Cable tie | 1 |

E-14 STARTING MOTOR ASSY



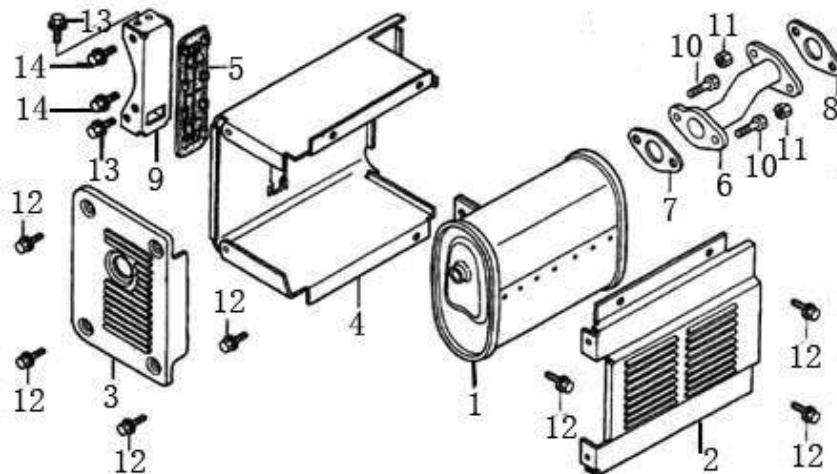
| S/N | Part No | | Description | Quantity | |
|-----|------------------|--|---------------------|----------|--|
| 1 | 24100-A1014-0001 | | Starting motor Assy | 1 | |
| 2 | T151-0013 | | Bolt, M8×40 | 2 | |

E-12 Air cleaner Assy



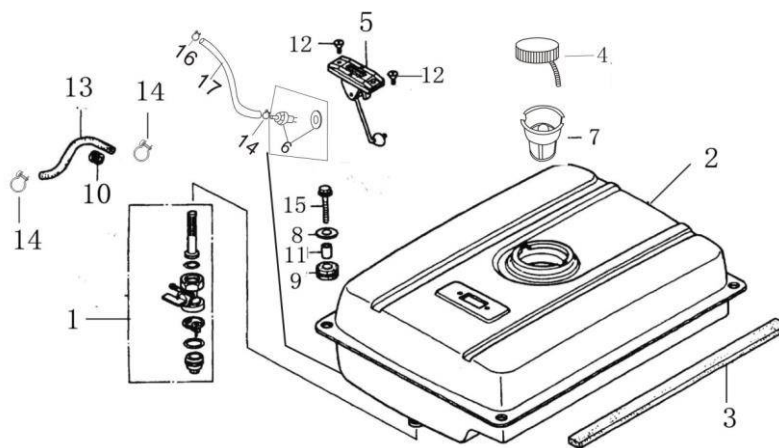
| S/N | Part No. | Description | Quantity |
|--------|------------------|--------------------------|----------|
| E12-01 | 19143-BC130-0001 | Waste pipe | 1 |
| E12-02 | 17223-BC130-0001 | Boot, vent pipe | 1 |
| E12-03 | 17113-A0810-0003 | Gasket, air cleaner | 1 |
| E12-04 | 17114-BC130-0002 | Air cleaner base | 1 |
| E12-05 | 17129-BC130-0001 | Gasket | 1 |
| E12-06 | 17125-BC130-0001 | Retainer, filter element | 1 |
| E12-07 | 17126-A2110-0001 | Filter(二) | 1 |
| E12-08 | 17124-B9130-0002 | Filter(一) | 1 |
| E12-09 | 17140-BC130-0001 | Hinge | 1 |
| E12-10 | 17112-BC130-0001 | Air cleaner cover | 1 |
| E12-11 | T314-0006 | Nut M5 | 6 |
| E12-12 | T314-0001 | Nut M6 | 3 |
| E12-13 | 17233-BC130-0001 | Air cleaner stay | 1 |
| E12-14 | 17100-BC130-0004 | Air cleaner Assy | 1 |

E-13 Muffler Assy



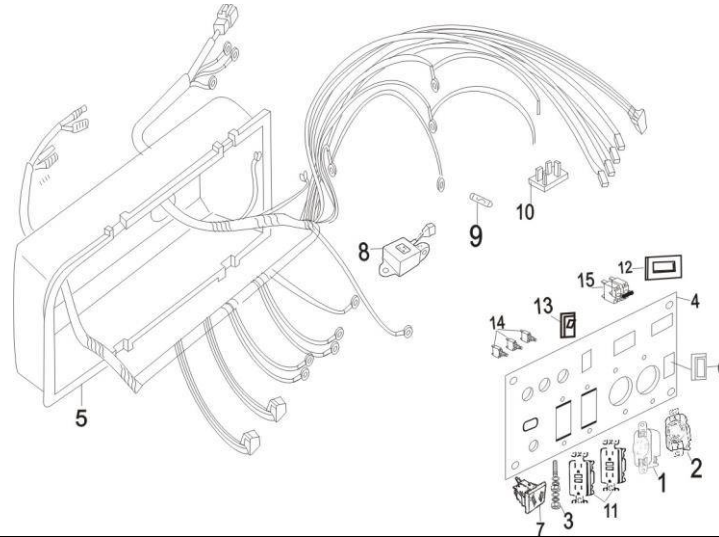
| S/N | Part No. | Description | Quantity |
|--------|------------------|-------------------------|----------|
| E13-01 | 18100-BJ1Y1-0001 | Muffler assy | 1 |
| E13-02 | 18130-BC130-0001 | Muffler Outer hood assy | 1 |
| E13-03 | 18230-BC130-0001 | Muffler hood (一) | 1 |
| E13-04 | 18240-BJ130-0001 | Muffler hood (二) | 1 |
| E13-05 | 18162-BC130-0001 | Muffler stay airproof | 1 |
| E13-06 | 18117-BF130-0001 | Exhaust pipe | 1 |
| E13-07 | 18217-BC130-0001 | Gasket, exhaust pipe | 1 |
| E13-08 | 18215-BC130-0001 | Gasket, outlet | 1 |
| E13-09 | 18161-BC130-0001 | Muffler stay assy | 1 |
| E13-10 | T151-0016 | Flange bolt M8×25 | 2 |
| E13-11 | T310-0001 | Nut M8 | 2 |
| E13-12 | T152-0019 | Flange bolt M6×12 | 7 |
| E13-13 | T151-0014 | Flange bolt M8×12 | 2 |
| E13-14 | T151-0005 | 螺栓 M8×16 | 2 |

E-14 Fuel tank Assy



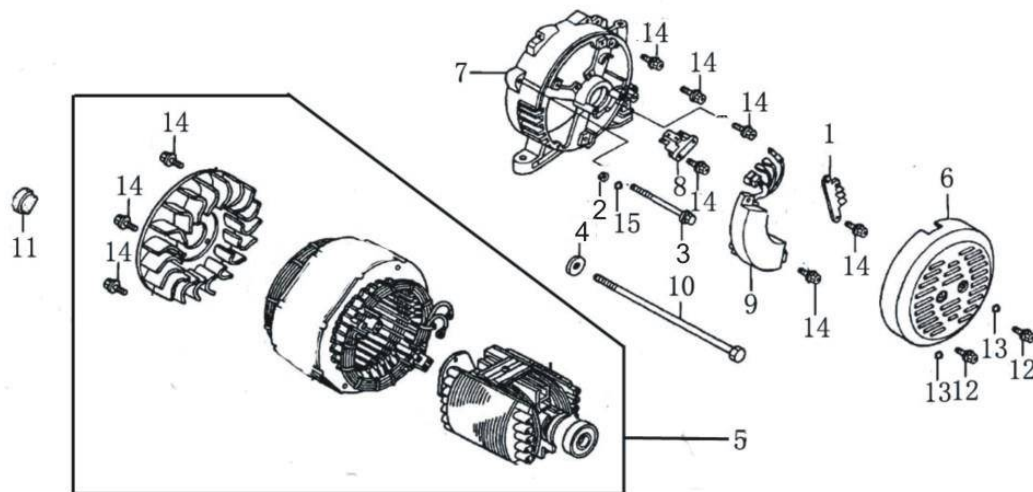
| S/N | Part No. | Description | Quantity |
|--------|------------------|-----------------------------|----------|
| E14-01 | 16640-B9130-0002 | Fuel cock assy | 1 |
| E14-02 | 16510-BC130-0081 | Fuel tank | 1 |
| E14-03 | 16912-BC130-0001 | Stripe, fuel tank | 1 |
| E14-04 | 16400-A0410-0002 | Fuel filler cap comp. | 1 |
| E14-05 | 16560-B9130-0001 | Oil indicator assy | 1 |
| E14-06 | 16557-A0710-0001 | Fuel filler assy | 1 |
| E14-07 | 16610-A0710-0003 | Washer | 4 |
| E14-08 | 16546-B9130-0001 | Cushion | 4 |
| E14-09 | 16911-B9130-0001 | Vitta restrict | 1 |
| E14-10 | 16626-BC130-0001 | Bush | 4 |
| E14-11 | 16914-B9130-0001 | Screw M5×12 | 2 |
| E14-12 | T211-0002 | Outlet pipe (φ8.5×φ4.5×180) | 1 |
| E14-13 | 16621-BC130-0004 | Tube clip | 3 |
| E14-14 | 16622-A0710-0002 | Bolt M6×22 (Flange) | 4 |
| E14-15 | T151-0003 | Tube clip | 1 |
| E14-16 | 16622-A0710-0003 | Tube clip | 1 |
| E14-17 | 11513-A0710-0002 | | 1 |

G-01 Control panel



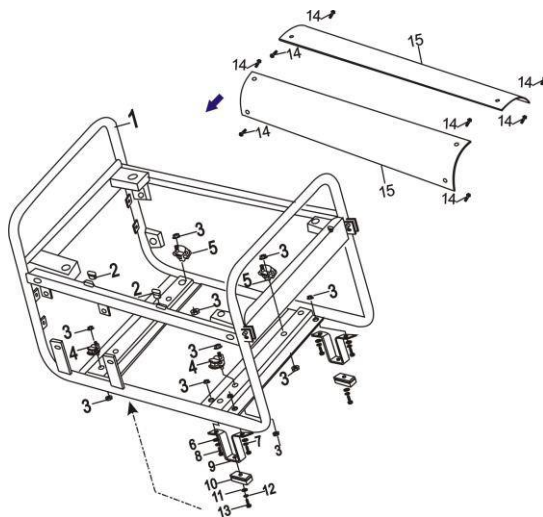
| S/N | Part No. | Description | Quantity |
|-----|------------------|---------------------------|----------|
| 1 | 31223-B9130-0010 | 3-prong twisted | 1 |
| 2 | 31223-B9130-0007 | 4-prong twisted socket | 1 |
| 3 | 31222-B9130-0001 | Earth terminal set | 1 |
| 4 | 31211-B9130-0014 | Control panel front cover | 1 |
| 5 | 31251 | Control panel back cover | 1 |
| 6 | 31225-B9130-0004 | gnition switch | 1 |
| 7 | 31223-B9130-0020 | Consent | 1 |
| 8 | 35368-G1211-0001 | | 1 |
| 9 | 31276-B9130-0001 | Fuse case | 3 |
| 10 | 31280-BC130-0001 | Bridge ballast | 1 |
| 11 | 31223-B9130-0024 | Bridge | 2 |
| 12 | 31214-B9130-0002 | Hour meter | 1 |
| 13 | 31238-B9130-0001 | | 1 |
| 14 | 31218 | protector | 3 |
| 15 | 31221-B9130-0054 | Circuit protector, | 1 |

G-02 Generator



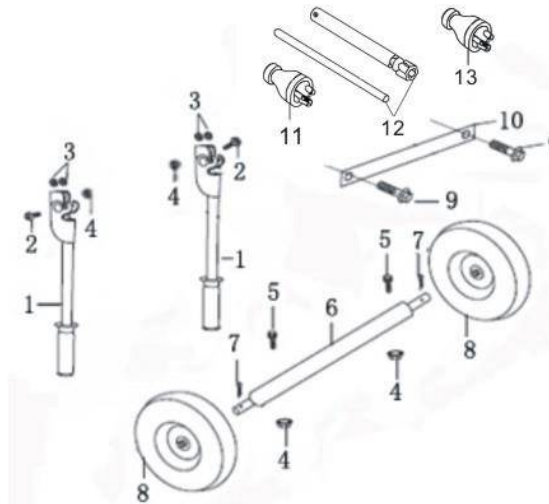
| S/N | Part No. | Description | Quantity |
|--------|------------------|------------------------|----------|
| G02-01 | 31154-BC130-0002 | Connecting plate | 1 |
| G02-02 | T411-0002 | Washer 6mm | 4 |
| G02-03 | 31112-BJ1Y1-0001 | Bolt M6×179 | 4 |
| G02-04 | 31126-BC130-0001 | Plain washer | 1 |
| G02-05 | 31100-BJ1Y1-0002 | Stator & rotor Assy | 1 |
| G02-06 | 31152-BC130-0003 | Generator end cover | 1 |
| G02-07 | 31151-BC130-0001 | Generator stay | 1 |
| G02-08 | 31130-BC130-0001 | Brush Assy | 1 |
| G02-09 | 31140-BC130-0001 | Voltage regulator assy | 1 |
| G02-10 | 31125-BJ1Y1-0001 | Bolt M10×285 | 1 |
| G02-11 | 11312-BC130-0001 | Plug, sump | 1 |
| G02-12 | 31153-A0410-0001 | Bolt M5×10 | 2 |
| G02-13 | 31511-A1713-0001 | Red washer 5mm | 2 |
| G02-14 | 31153-BC130-0002 | Screw M5×14 | 7 |
| G02-15 | T441-0002 | Spring washer 6mm | 4 |

G-03 Frame



| S/N | Part No. | Description | Quantity |
|--------|------------------|-------------------|----------|
| G03-1 | 32100-BJ1Y2-0026 | Frame | 1 |
| G03-2 | 32412-B9130-0001 | Rubber pad, frame | 2 |
| G03-3 | T311-0001 | Nut M8 | 10 |
| G03-4 | 32420-BC130-0001 | Cushion, frame A | 3 |
| G03-5 | 32450-BC130-0001 | Cushion, frame B | 3 |
| G03-6 | T411-0001 | Plain washer | 4 |
| G03-7 | T441-0001 | Plain washer | 4 |
| G03-8 | T151-0006 | Flange bolt M8×25 | 4 |
| G03-9 | 32231-BB140-0003 | Bracket | 2 |
| G03-10 | 31523-BF140-0001 | Bracket cushion | 2 |
| G03-11 | T411-0002 | Plain washer Φ6 | 2 |
| G03-12 | T441-0002 | Plain washer Φ6 | 2 |
| G03-13 | T151-0005 | Flange bolt M8×16 | 2 |
| G03-14 | T152-0019 | Flange bolt M6×12 | 8 |
| G03-15 | 32418-BC130-0006 | Curved panel | 2 |

G-04 Wheel, Battery



| S/N | Part No. | Description | Quantity |
|--------|------------------|-----------------------------|----------|
| G04-1 | 32417-BC130-0001 | Armrest | 2 |
| G04-2 | 32139-BB140-0001 | Flange bolt | 2 |
| G04-3 | 31161-B9130-0001 | Handle gasket | 4 |
| G04-4 | T311-0001 | Nut M8 | 4 |
| G04-5 | T151-0006 | Flange bolt M8×25 | 8 |
| G04-6 | 31311-BC130-0002 | Wheel axel, | 1 |
| G04-7 | 31352-B9130-0002 | Split pin | 2 |
| G04-8 | 45420-B9130-0019 | Wheel kit | 2 |
| G04-9 | T152-0019 | Flange bolt M6×12 | 2 |
| G04-10 | 32433-BG140-0001 | Battery box cover | 1 |
| G04-11 | 31224-B9130-0006 | Plug (30A) | 2 |
| G04-12 | 92230-B9130-0001 | Sparking plug wrench(short) | 1 |
| G04-13 | 31224-B9130-0032 | Plug | 1 |