

**LIFAN
POWER
USA**

WWW.LIFANPOWERUSA.COM

STORM  SERIES

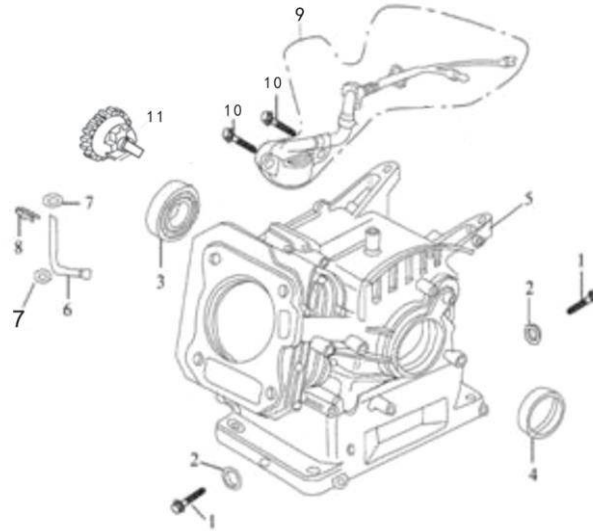
LFQ-3370 PRESSURE WASHER

EXPLODED VIEWS & PARTS LISTS



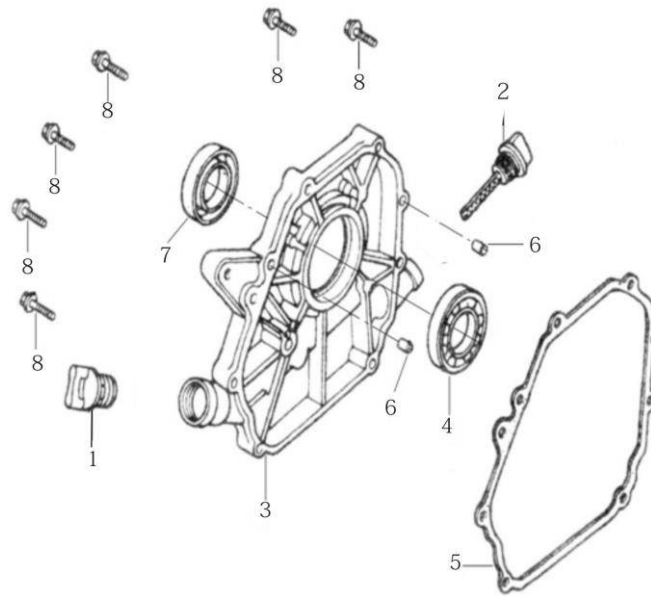
2205 Industrial Park Road Van Buren, AR 72956
(866) 471-7464 www.lifanpowerusa.com

E-1 CRANKCASE ASSEMBLY



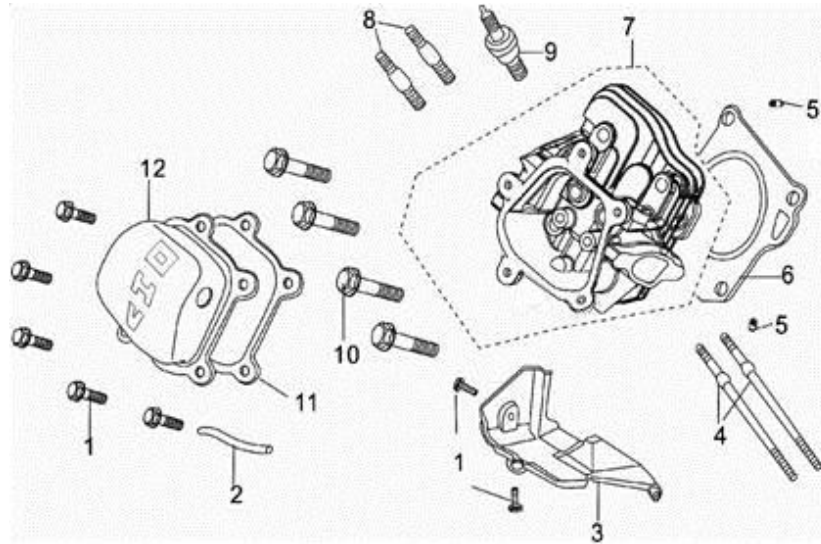
S/N	Part No.	Description	Quantity	Remark
1	11115-A0710-0001	Drain plug M10X15	2	
2	11116-A0710-0001	Washer	2	
3	T910-0001	Bearing 6205	1	
4	11120-A0710-0002	Oil seal, crankshaft	1	
5	11110-A0720-0017	Crankcase	1	
6	26111-A0710-0001	Regulating sway bar	1	
7	26113-A0710-0001	Washer	2	
8	26112-A0710-0001	Split pin	1	
9	27400-A0710-0002	Oil sensor	1	
10	T152-0004	Bolt M6×14	2	
11	25100-A0710-0004	Driven gear assembly, regulator	1	

E-2 CRANKCASE COVER ASSEMBLY



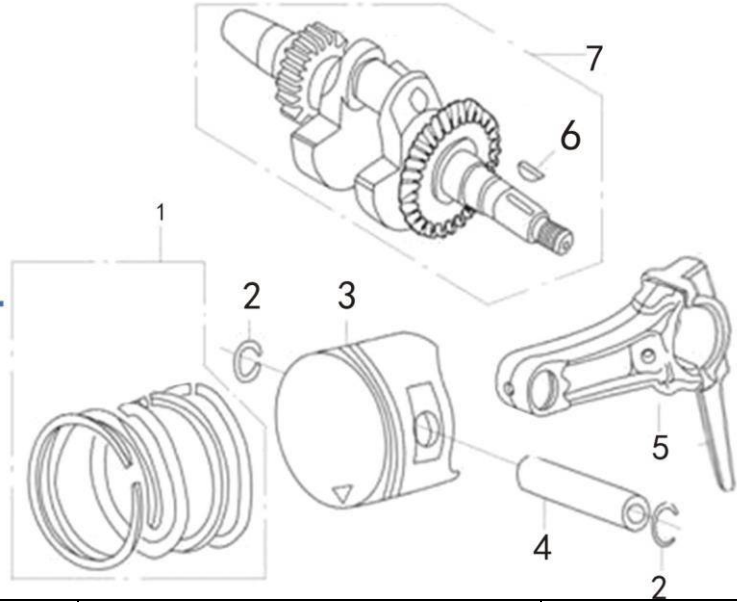
S/N	Part No.	Description	Quantity	Remark
1	15610-A0710-0001	Oil plug with Seal	1	
2	15510-A0710-0001	Dipstick with seal	1	
3	11211-A0710-0001	Crankcase cover	1	
4	T910-0001	Bearing 6205	1	
5	11114-A0710-0001	Gasket, crankcase	2	
6	11113-A0710-0001	Set pin $\phi 8 \times 14$	1	
7	11120-A0710-0001	Oil seal, crankshaft	1	
8	T151-0001	Bolt M8 \times 32	6	

E-3 CYLINDER HEAD & CYLINDER HEAD COVER ASSEMBLY



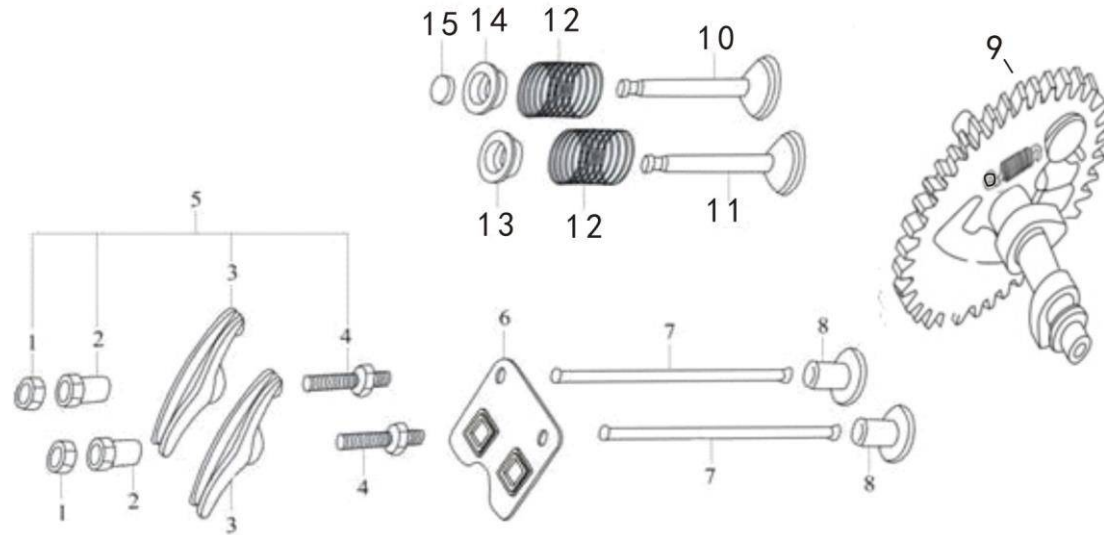
S/N	Part No.	Description	Quantity	Remark
1	T152-0019	Bolt M6×12	6	
2	19143-A0710-0001	Air duck	1	
3	19121-A0721-0001	Lead wind cover	1	
4	17218-A0710-0001	Stud M6×96	2	
5	12117-A0710-0001	Set pin φ 10×16	2	
6	12120-A0721-0001	Gasket, cylinder head	1	
7	12100-A0721-0004	Cylinder head Assembly	1	
8	18214-A0710-0001	Stud M8×34	2	
9	27100-A0710-0001	Spark plug F6TC	1	
10	12118-A0710-0001	Bolt	4	
11	12212-A0721-0001	Gasket, cylinder head cover	1	
12	12200-A0721-0001	Cylinder head cover Assembly	1	

E-4 CRANKSHAFT, PISTON & CONNECTING



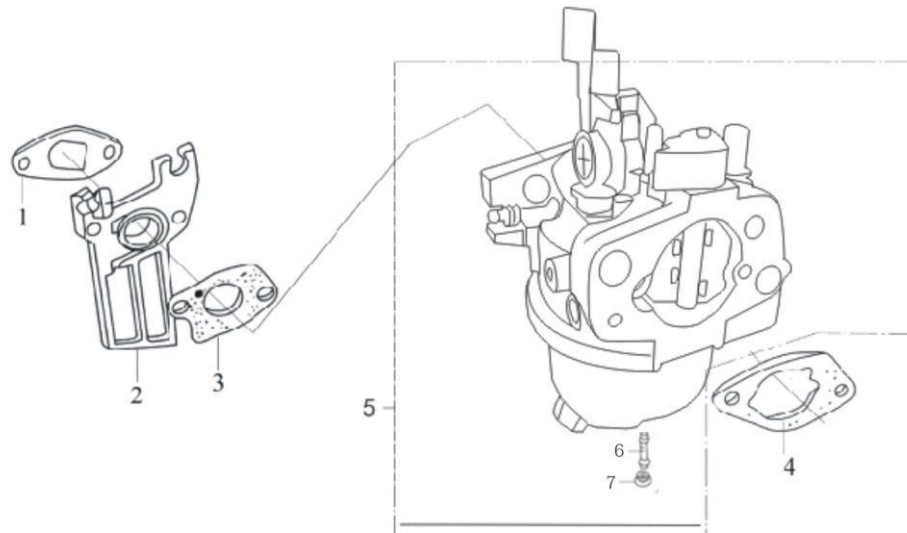
S/N	Part No.	Description	Quantity	Remark
1	13400-A0730-0001	Piston ring assembly	1	
2	13313-A0710-0001	Piston pin circlip	2	
3	13311-A0720-0004	Piston	1	
4	13312-A0710-0001	Piston pin	1	
5	13120-A0710-0001	Shank	1	
6	13112-A0710-0001	Woodruff key	1	
7	13110-A0720-0005	Crankshaft assembly	1	

E-5 COMBINATION OF CAM SHAFT & VALVE ROCKER



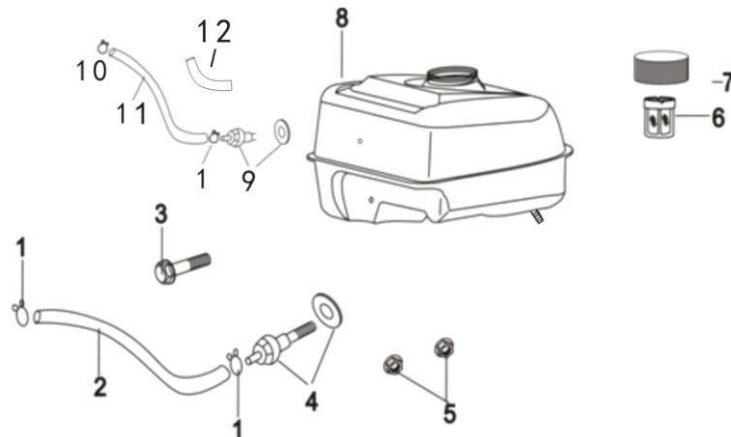
S/N	Part No.	Description	Quantity	Remark
1	14314-A0710-0001	Lock nut	2	
2	14312-A0710-0001	Sleeve	2	
3	14311-A0710-0001	Valve rocker	2	
4	14313-A0710-0001	Adjusting bolt for valve gap	2	
5	14310-A0710-0001	Valve rocker assembly	2	
6	14220-A0710-0001	Pusher guide	1	
7	14210-A0710-0001	Pusher	2	
8	14315-A0720-0001	Tappet	2	
9	14100-A0720-0005	Camshaft Assembly	1	
10	14412-A0710-0001	Exhaust valve	1	
11	14411-A0710-0001	Intake valve	1	
12	14414-A0710-0001	Valve spring	2	
13	14413-A0710-0001	Spring seat, intake valve	1	
14	14415-A0710-0001	Spring seat, exhaust valve	1	
15	14416-A0710-0001	Cap	1	

E-6 CARBURETOR ASSEMBLY



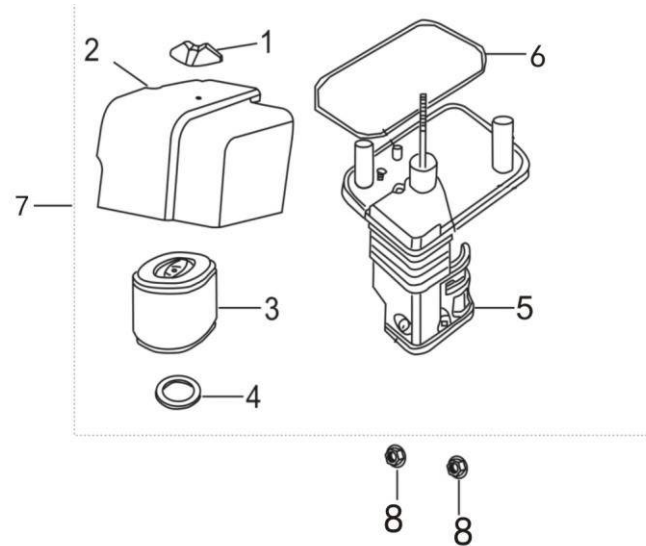
S/N	Part No.	Description	Quantity	Remark
1	17219-A0710-0001	Inlet gasket	1	
2	16120-A0710-0001	Connecting block	1	
3	16113-A0710-0001	Carburetor gasket	1	
4	17113-A0710-0001	Air cleaner gasket	1	
5	16100-A0720-0021	Carburetor Assembly	1	
6	16244-A0720-0001	Main nozzle	1	
7	16243-A0720-0001	Main je	1	

E-7 FUEL TANK ASSEMBLY



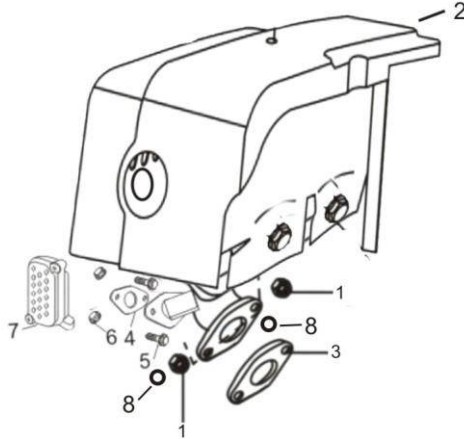
S/N	Part No.	Description	Quantity	Remark
1	16622-A0710-0002	Pipe clamp 8mm-10mm	3	
2	16621-A0710-0020	Outlet pipe	1	
3	T152-0011	Bolt M6×28	1	
4	16630-A0710-0001	Connector	1	
5	T311-0002	Nut M6	2	
6	16610-A0710-0003	Filter cup	1	
7	16400-A0410-0002	Fuel filler cap with packing ring	1	
8	16510-A0712-0077	Fuel tank	1	
9	16557-A0710-0001	Connector	1	
10	16622-A0710-0003	Pipe clamp 10mm-14mm	2	
11	11513-A0710-0002	Outlet pipe	1	
12	12158-A0710-0001	Pipe clamp	1	

E-8 AIR CLEANER ASSEMBLY



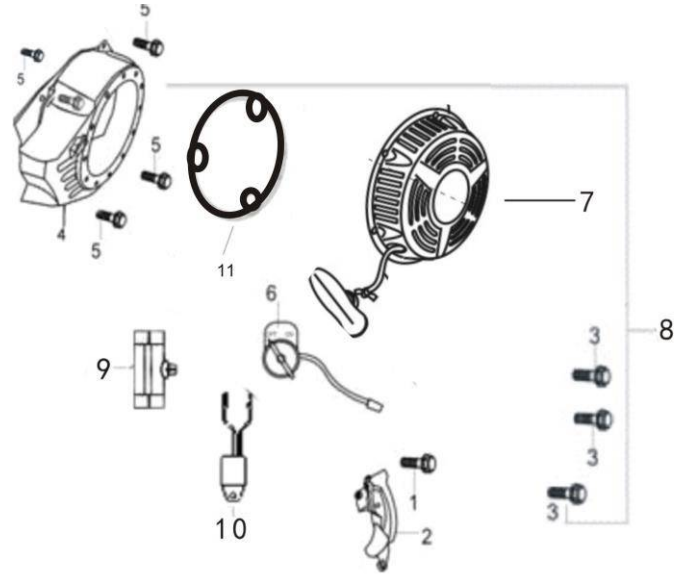
Ref.No.	Part No	Description	Quantity	Remark
1	17111-A0712-0001	Air cleaner cover nut	1	
2	17112-A0712-0001	Air cleaner cover	1	
3	17120-A0710-0001	Filter element	1	
4	17121-A0710-0001	Washer	1	
5	17200-A0710-0002	Air cleaner housing	1	
6	17129-A0710-0001	Gasket	1	
7	17100-A0712-0008	Air cleaner assembly	1	
8	T311-0002	Nut M6	2	

E-9 MUFFLER



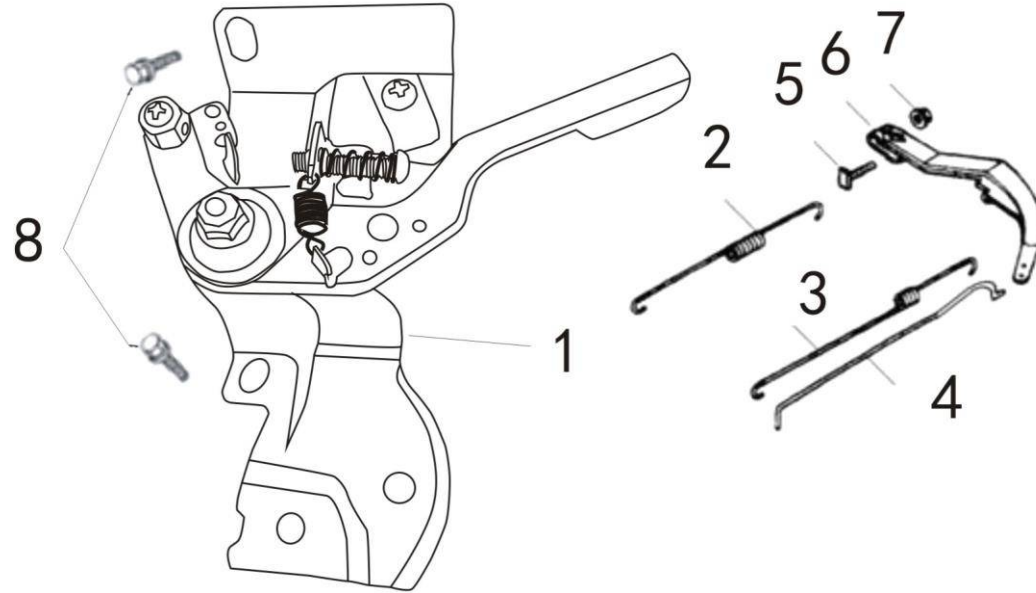
Ref.No.	Part No	Description	Quantity	Remark
1	T310-0001	Nut M8	2	
2	18000-A0712-0013	Muffler	1	
3	18215-A0710-0001	Exhaust gasket	1	
4	18172-A0710-0001		1	
5	T152-0033		2	
6	T314-0001		2	
7	18171-A0710-0001		1	
8	T441-0001		2	

E-10 RECOIL STARTER



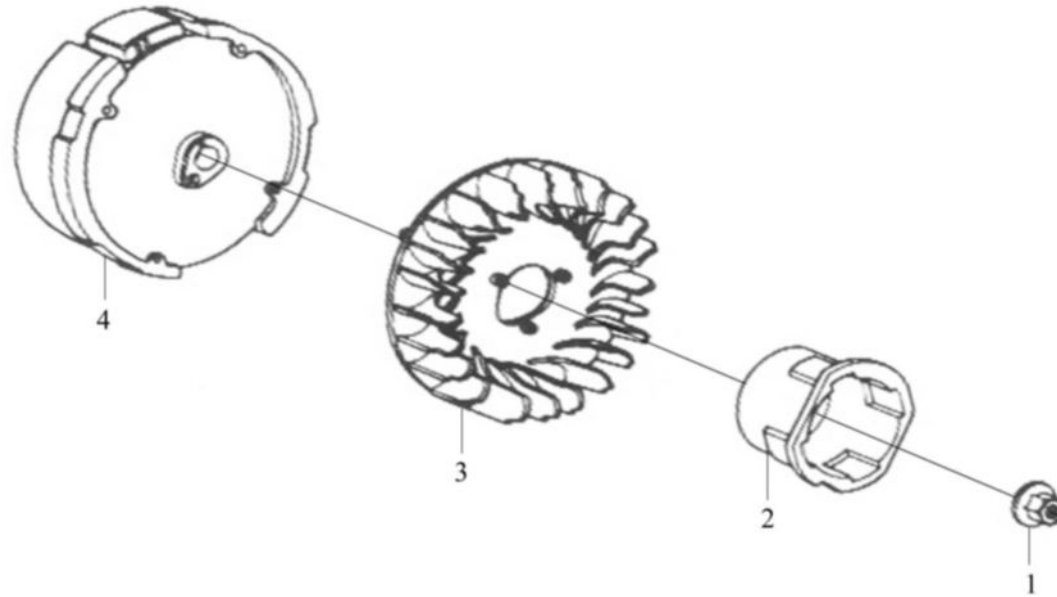
S/N	Part No	Description	Quantity	Remark
1	T152-0033	Bolt M6×22	1	
2	19300-A0710-0001	Crankcase side plate assembly	1	
3	T210-0005	Bolt M5×8	3	
4	19211-A0725-0005	Fan hood assembly	1	
5	T152-0019	Bolt M6×12	4	
6	27300-A0712-0001	Engine switch	1	
7	23200-A0721-0007	Recoil starter	1	
8	23100-A0722-0003	Recoil starter assembly	1	
9	19313-A0710-0001	Plastic clip	1	
10	27500-A0710-0001	Diode	1	
11	23260-A0710-0001	Recoil spacer combination	1	

E-11 REGULATING CONTROL SYSTEM



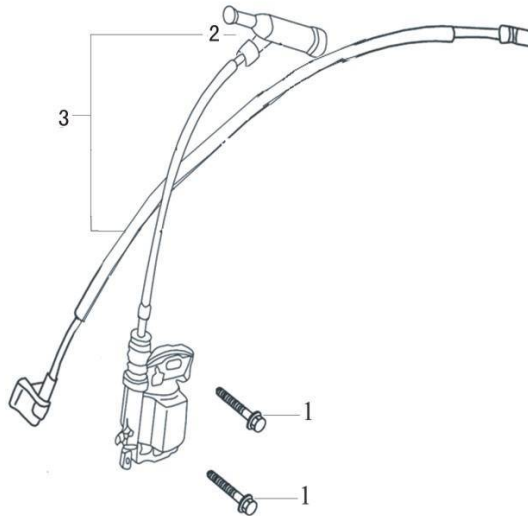
S/N	Part No	Description	Quantity	Remark
1	26200-A0710-0011	Regulating frame assembly	1	
2	26117-A0710-0001	Back spring	1	
3	26118-A0710-0001	Fine regutaling spring	1	
4	26115-A0710-0001	Pulling rod	1	
5	26116-A0710-0001	Lock bolt	1	
6	26114-A0710-0001	Regulating arm	1	
7	T354-0002	Nut M6	1	
8	T152-0019	Bolt M6×12	2	

E-12 FLYWHEEL



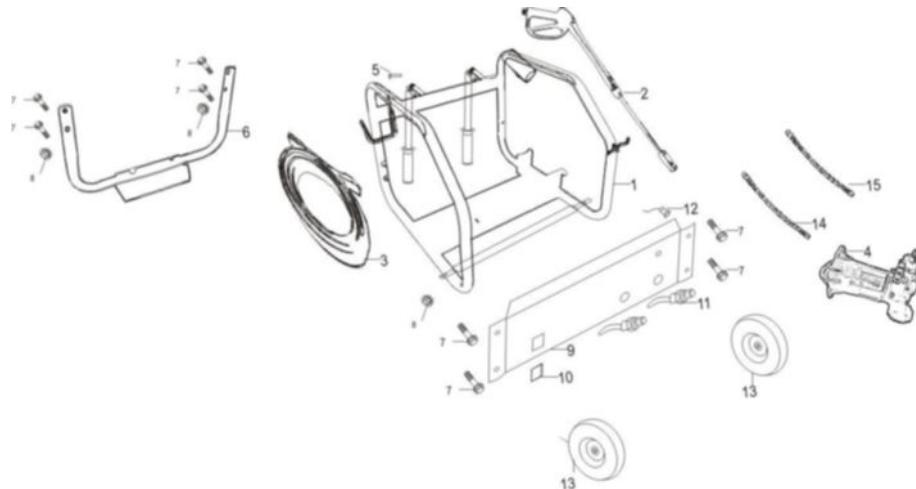
Ref.No.	Part No	Description	Quantity	Remark
1	23317-A0710-0001	Nut M14×1.5	1	
2	23316-A0710-0002	Starting flange	1	
3	19111-A0710-0001	Flywheel fan	1	
4	23300-A0710-0007	Flywheel	1	

E-13 IGNITION COIL



S/N	Part No	Description	Quantity	Remark
1	T151-0011	Screw M6×22	2	
2	27220-A0410-0001	Spark plug cap	1	
3	27200-A0710-0001	Ignition coil assembly (-)	1	

E-14 FRAME



S/N	Part No.	Description	Quantity	Remark
1	55100-E8310-0001	Frame	1	
2	55550-EEA10-0001	Wand assembly	1	
3	55511-E8310-0001	Outlet hose	1	
4	55600-EEA10-0001	Washer pump	1	
5	32480-BB140-0002	bolt	2	
6	31523-EEA10-0001	The foot rack support cushions	1	
7	12118-A0430-0001	Bolt (M8x45)	8	
8	T354-0001	Nut (M8)	8	
9	31211-E8310-0002	Panel	1	
10	31225-B9130-0009	Starting switch	1	
11	55431-E8310-0001	Connector	2	
12	26250-E8310-0001	Choke	1	
13	45420-E8310-0001	The wheels	2	
14	55530-E8310-0001	Inlet pipe	1	
15	55510-E8310-0001	Outlet pipe	1	