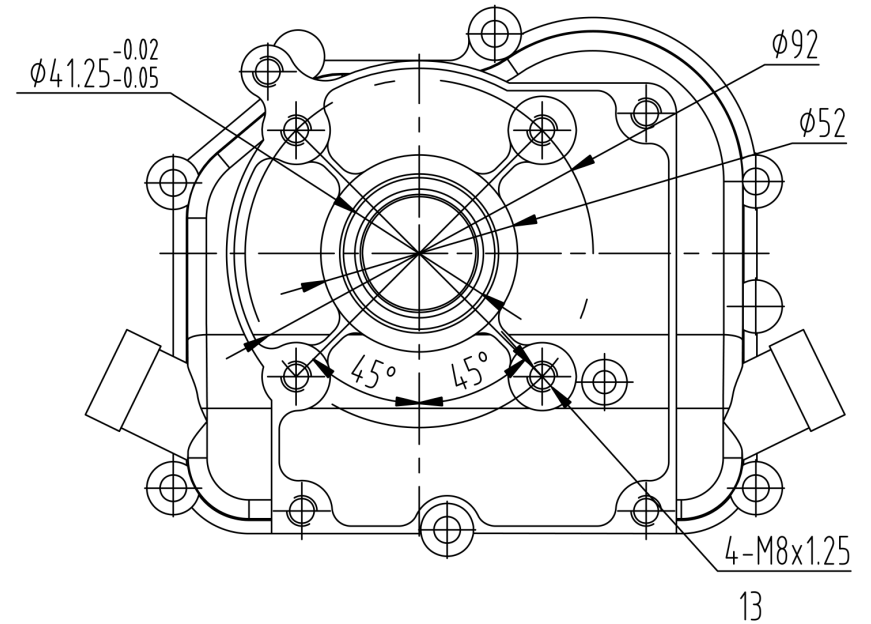
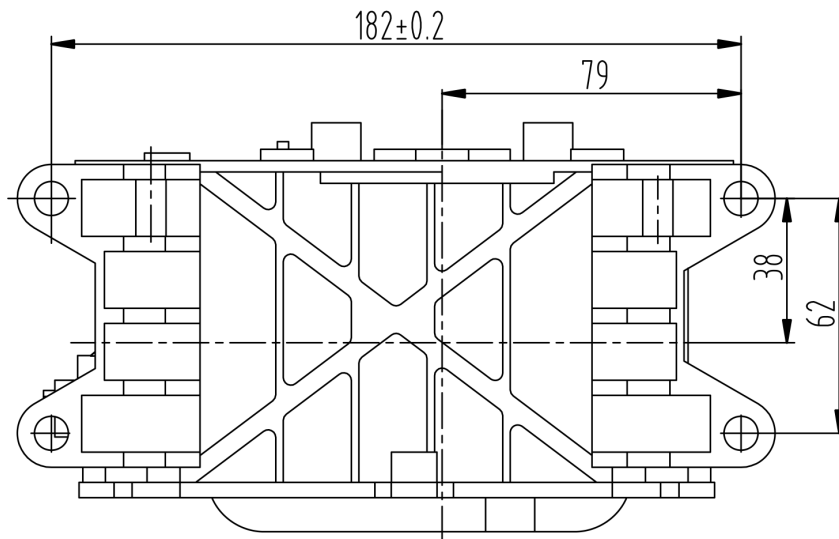
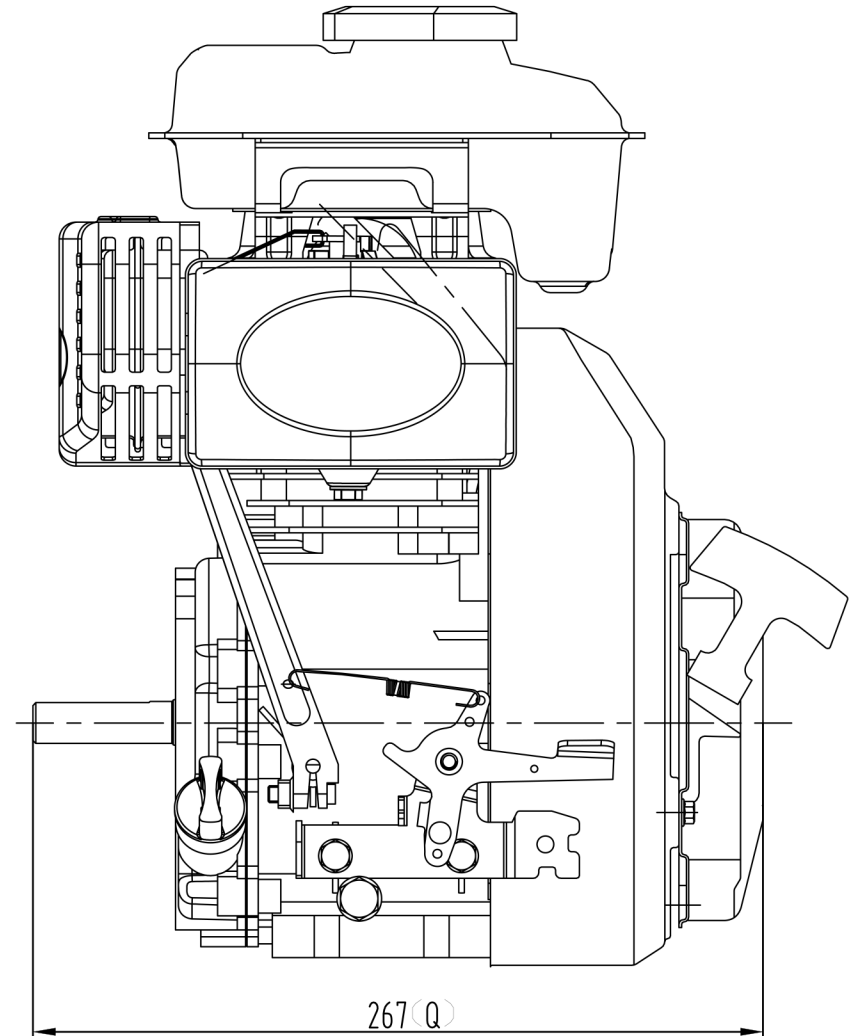
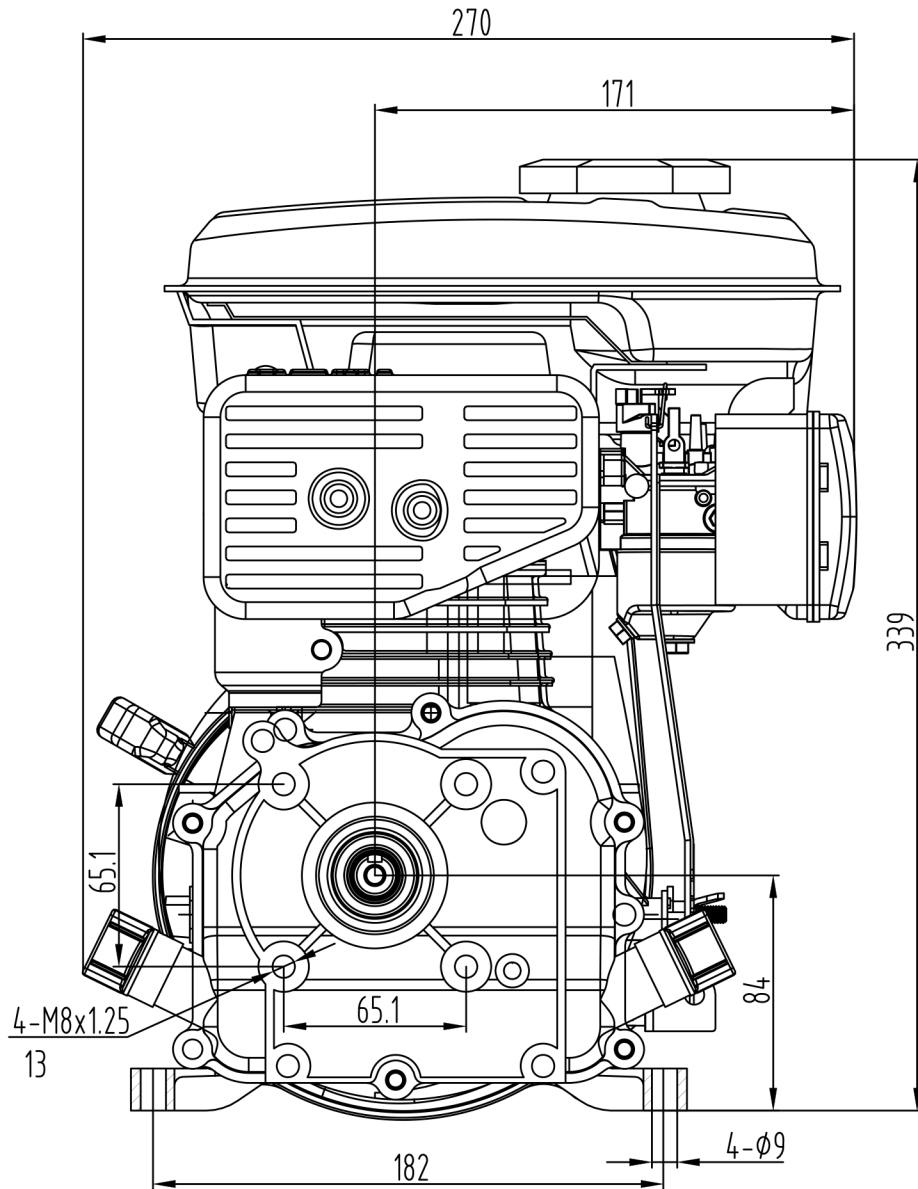


LF152F-3 - Mounting & Measurements



LF152F-3 - Mounting & Measurements



FOR DOWNLOADABLE MANUALS, WIRING DIAGRAMS, ONLINE WARRANTY REGISTRATION, PARTS ORDERS AND MORE, VISIT
LIFANPOWERUSA.COM