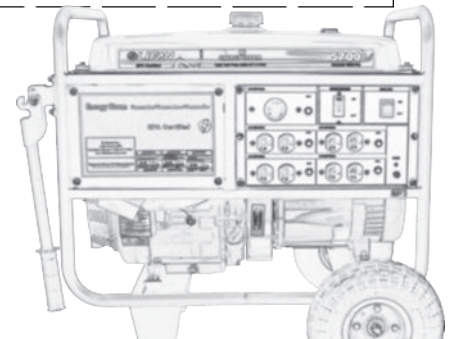


ENG. SW

	EG	E	G	FS
OFF	⊖	⊖	⊖	⊖
ON				

WIRE

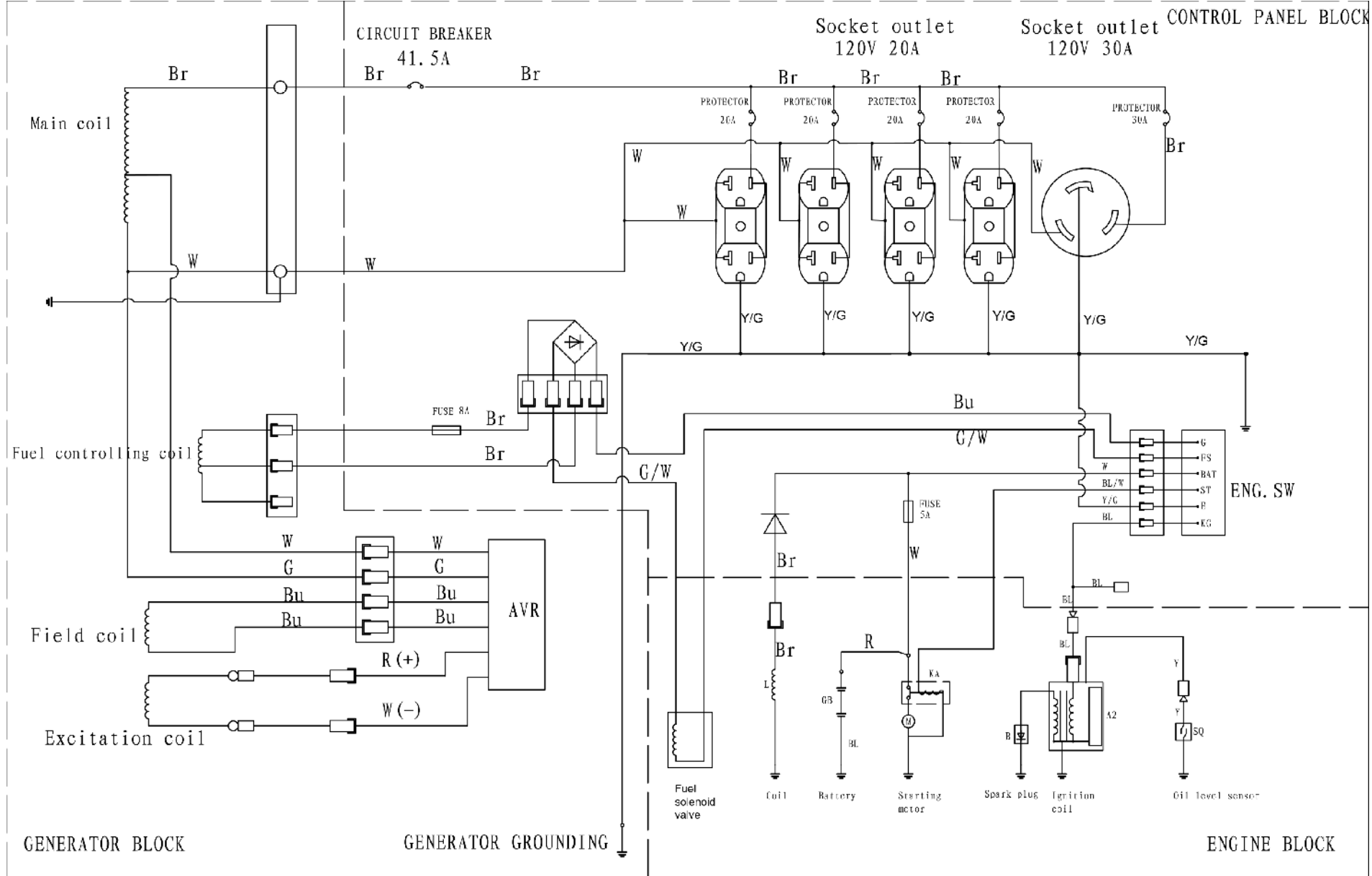
BL	Black	R	Red
Y	Yellow	W	White
BU	Blue	BR	Brown
G	Green		



## ES-5700 Portable Generator Wiring Diagram

FOR DOWNLOADABLE MANUALS, WIRING DIAGRAMS, ONLINE WARRANTY REGISTRATION, PARTS ORDERS AND MORE, VISIT

# LIFANPOWERUSA.COM

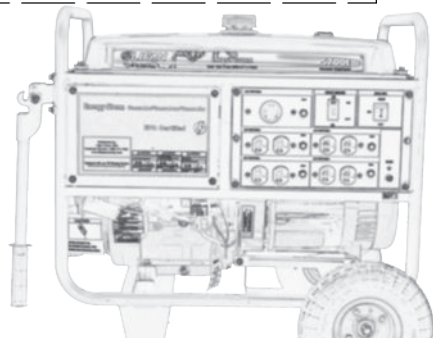


ENG. SW

	KG	G	BAT	ST	G	FS
OFF	⊖	⊖			⊖	⊖
ON						
START			⊖	⊖		

WIRE

BL	Black	K	Red
Y	Yellow	W	White
BU	Blue	Br	Brown
G	Green		



# ES-5700E Portable Generator Wiring Diagram

FOR DOWNLOADABLE MANUALS, WIRING DIAGRAMS, ONLINE WARRANTY REGISTRATION, PARTS ORDERS AND MORE, VISIT

# LIFANPOWERUSA.COM