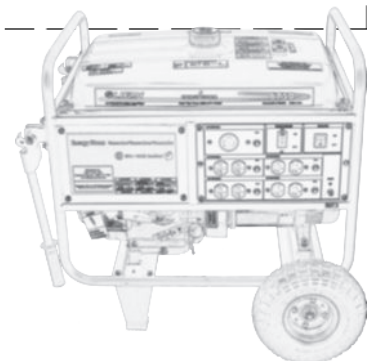


ENG. SW

	EG	T	G	PS
OFF	⊖	⊖	⊖	⊖
ON				

WIRE

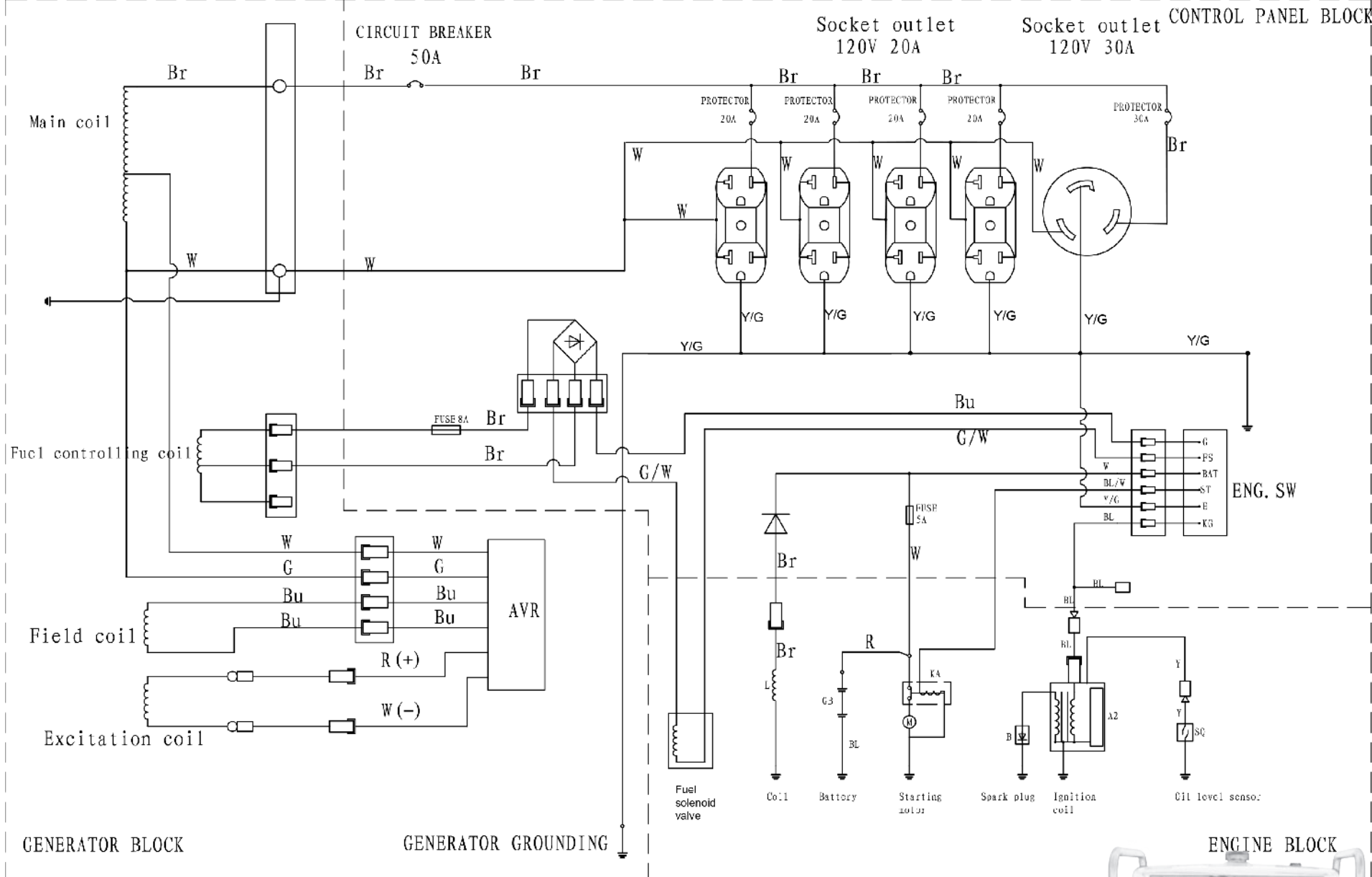
BL	Black	k	Red
Y	Yellow	W	White
BU	Blue	Br	Brown
G	Green		



ES-6750-CA Portable Generator Wiring Diagram

FOR DOWNLOADABLE MANUALS, WIRING DIAGRAMS, ONLINE WARRANTY REGISTRATION, PARTS ORDERS AND MORE, VISIT

LIFANPOWERUSA.COM

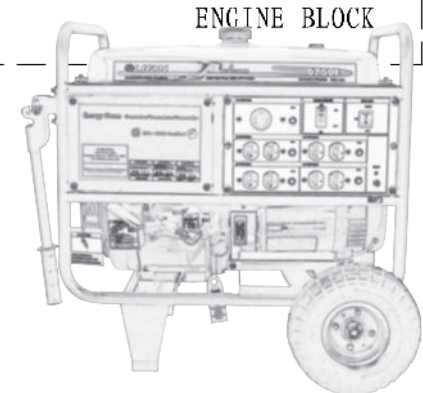


ENG. SW

	KG	E	BAT	ST	G	FS
OFF	○	○			○	○
ON						
START			○	○		

WIRE

3L	Black	R	Red
Y	Yellow	W	White
3L	Blue	Br	Brown
G	Green		



ES-6750E-CA Portable Generator Wiring Diagram
 FOR DOWNLOADABLE MANUALS, WIRING DIAGRAMS, ONLINE WARRANTY REGISTRATION, PARTS ORDERS AND MORE, VISIT
LIFANPOWERUSA.COM