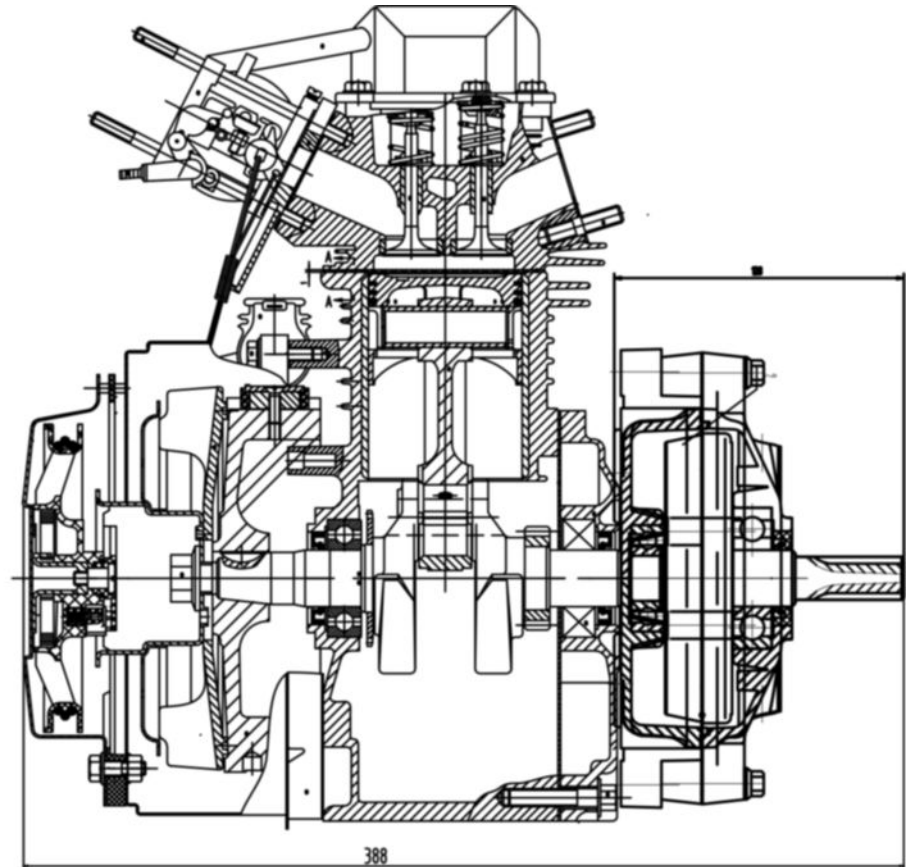
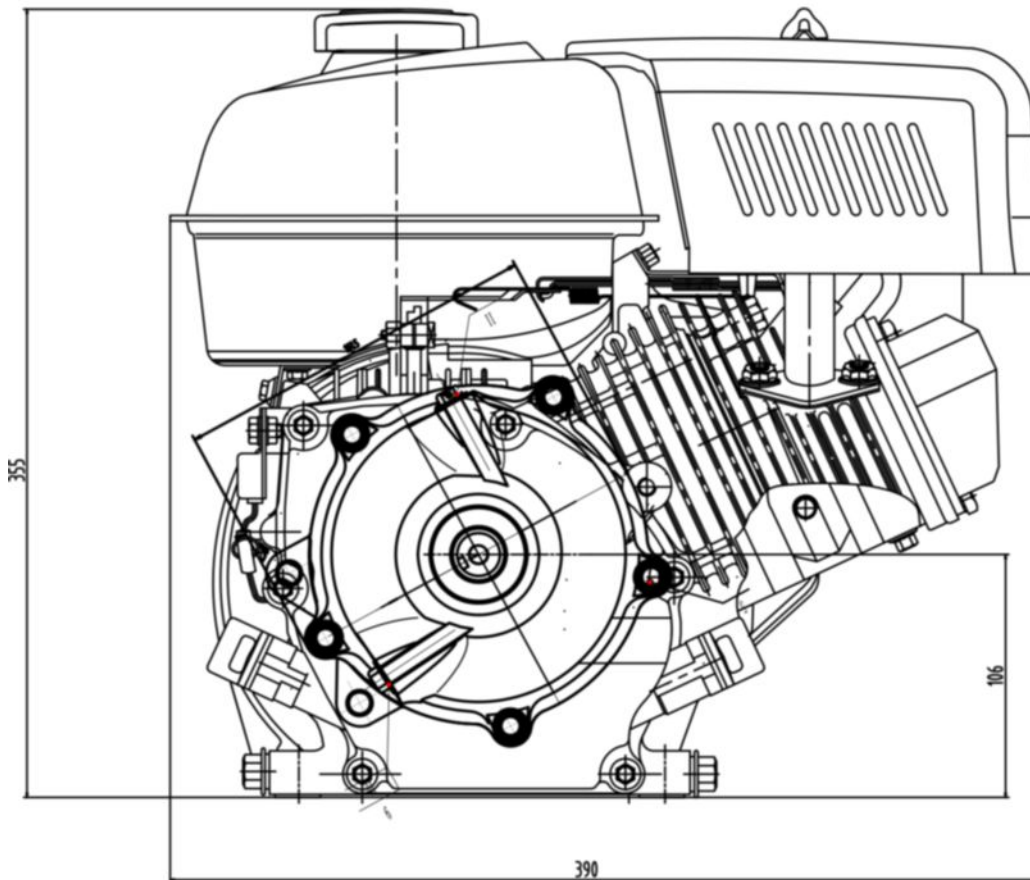




# LF168F-BR - Mounting & Measurements



FOR DOWNLOADABLE MANUALS, WIRING DIAGRAMS, ONLINE WARRANTY REGISTRATION, PARTS ORDERS AND MORE, VISIT  
**LIFANPOWERUSA.COM**